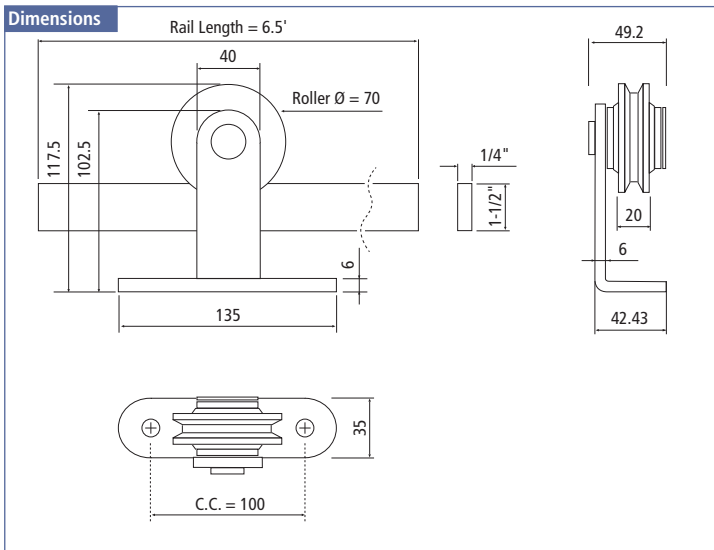


Features

- ▶ Carbon Steel with powder coating or brushed Stainless Steel
- ▶ Max. Door Weight: 300 lbs (140 kg)
- ▶ Suitable for door thickness of 1-3/16 – 1-3/4" (30 – 45 mm)



Set includes	Item Number	Material/Finish
5 Clamps for Fixing Track	77224 51 008	Carbon Steel Matte Black Powdered
2 Door Stoppers	77224 56 009	Brushed Stainless Steel
1 Rail, Length 6.5'		
2 Anti Jump Blocks		
2 Sliding Door Rollers		
1 Floor Guide		
Screws and Allen Key		



Installation Manual

