

STANDOFFS MOUNTING KIT

Everything you need to mount signage, artwork, posters or awards.

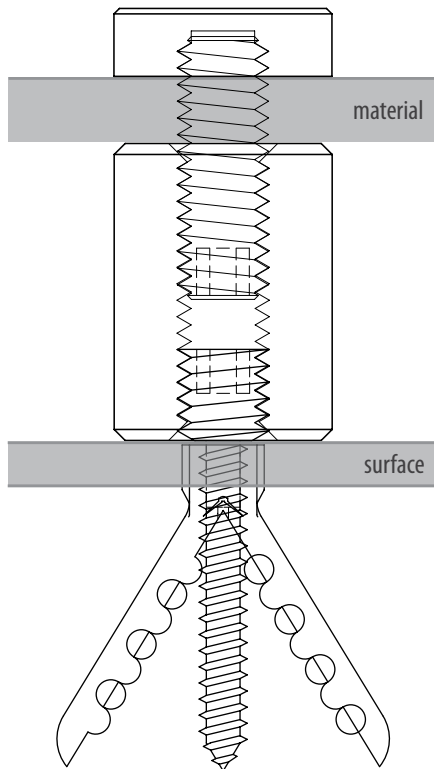
Cap and Barrel Installation Instructions

Here's what you'll find in your kit:

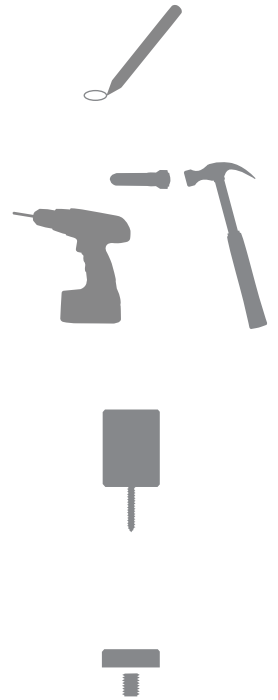
NOTE: Your kit may include a 2nd threaded stud to accommodate different material thicknesses.



Watch our how-to videos: standoffsystems.com/howto






- 1 Use the holes in your material as a template to mark holes on your mounting surface.
- 2 Pre-drill 1/4" holes in your surface, then insert **nylon anchors** into the holes and tap them flush.
- 3 Drive your **combination screws** into the nylon anchors, then tighten **barrels** against surface.
- 4 Screw **threaded studs** into your barrels, then place your panel in position and thread on **caps** until snug.



TIP: We recommend 3/8" holes in your material to give you more freedom for aligning your panels.

MADE
IN USA

 **Call** 775.829.7272
 **Chat** standoffsystems.com
 **Email** info@standoffsystems.com

For more info, contact our design support team.

 **GYFORD**
standoff systems™