



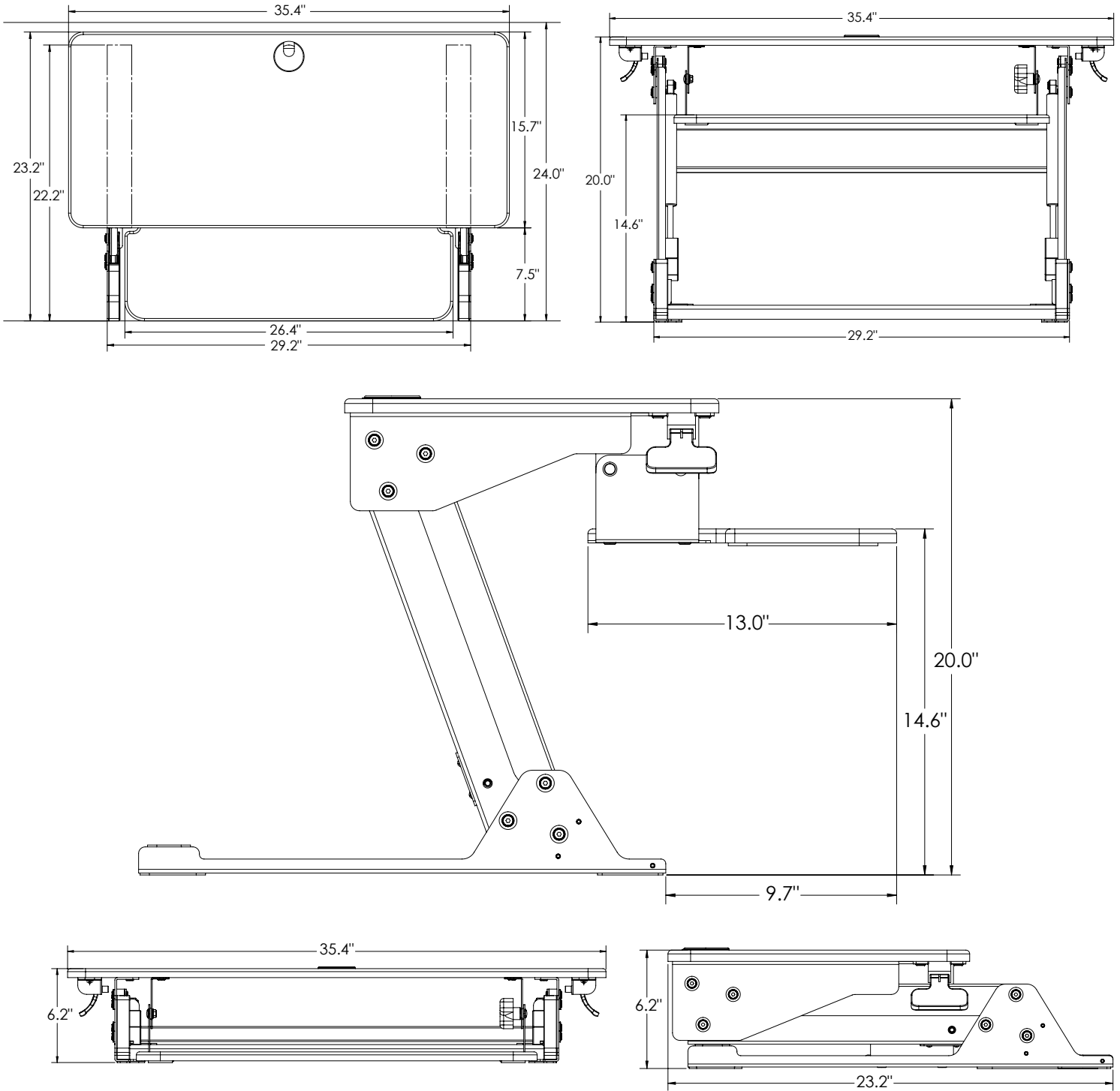
Shown with optional Concerto 7825S

5230B01

# Volante™ Desktop Sit-Stand Workstation

The Volante™ Sit-Stand Desktop Workstation, quickly and economically converts an existing desk to a smooth and effortless sit-stand workstation.

Features	Benefits
Ships fully assembled	No tools are required, making it easy to retrofit existing office spaces
Compact footprint	The Volante™ easily fits onto a 24" deep desk with added room for personal adjustment
Gas assisted height adjustment	Provides smooth, quiet and infinite height adjustment, users can easily set it to their ideal ergonomic position
Primary work surface can be extended 20" above the desk	A large height adjustment range accommodates a greater variety of users
Large useable primary work surface	The large primary work surface accommodates 2 x 24" monitors, KV monitor arms, an Apple iMac or laptop with monitor
20° of keyboard surface tilt	Allows the user to infinitely adjust the keyboard surface tilt from -10°/+10° for an ergonomic typing position, in the sitting or standing position
Keyboard surface adjusts with the primary work surface	Improved ergonomics over competitive units that are just one work surface
Primary work surface grommet	Allows for cable management and attachment of a KV monitor arm to improve ergonomic functionality and to clear the secondary work surface
Supports 35 lbs. of technology	Strong enough to support users technology requirements
Weights 40 lbs.	Light enough for simple installation and moving from desk-to-desk
Tested to 15,000 cycles	Testing results support a 2 year warranty



## Volante™ Desktop Sit-Stand Workstation

### Ancillary Products:

- For flat panel displays, specify the Concerto, Xtend or Tempo flat panel monitor support system

Model	Description	Weight Capacity	Weight	Shipping Weight	Box Dimensions
5230B01	Desktop Sit-Stand Workstation	35 lbs.	40 lbs.	47 lbs.	27.5" w x 38" l x 8" h

Notes: 1. Weight = packaged shipping weight per unit. 2. Specifications are subject to change without notice.



2700 Oak Industrial Dr. NE  
 Grand Rapids, MI 49505-6026 USA  
 1.800.253.1561 | 616.459.3311  
 Fax: 877.636.3290  
 www.kv.com

This and other KV literature is available for download at [www.kv.com](http://www.kv.com) > Resource Library

Knap & Vogt reserves the right to change product specifications at any time without notice and without incurring responsibility for existing units.  
 ©2016 Knap & Vogt. KV and the KV logo are trademarks of Knap & Vogt.