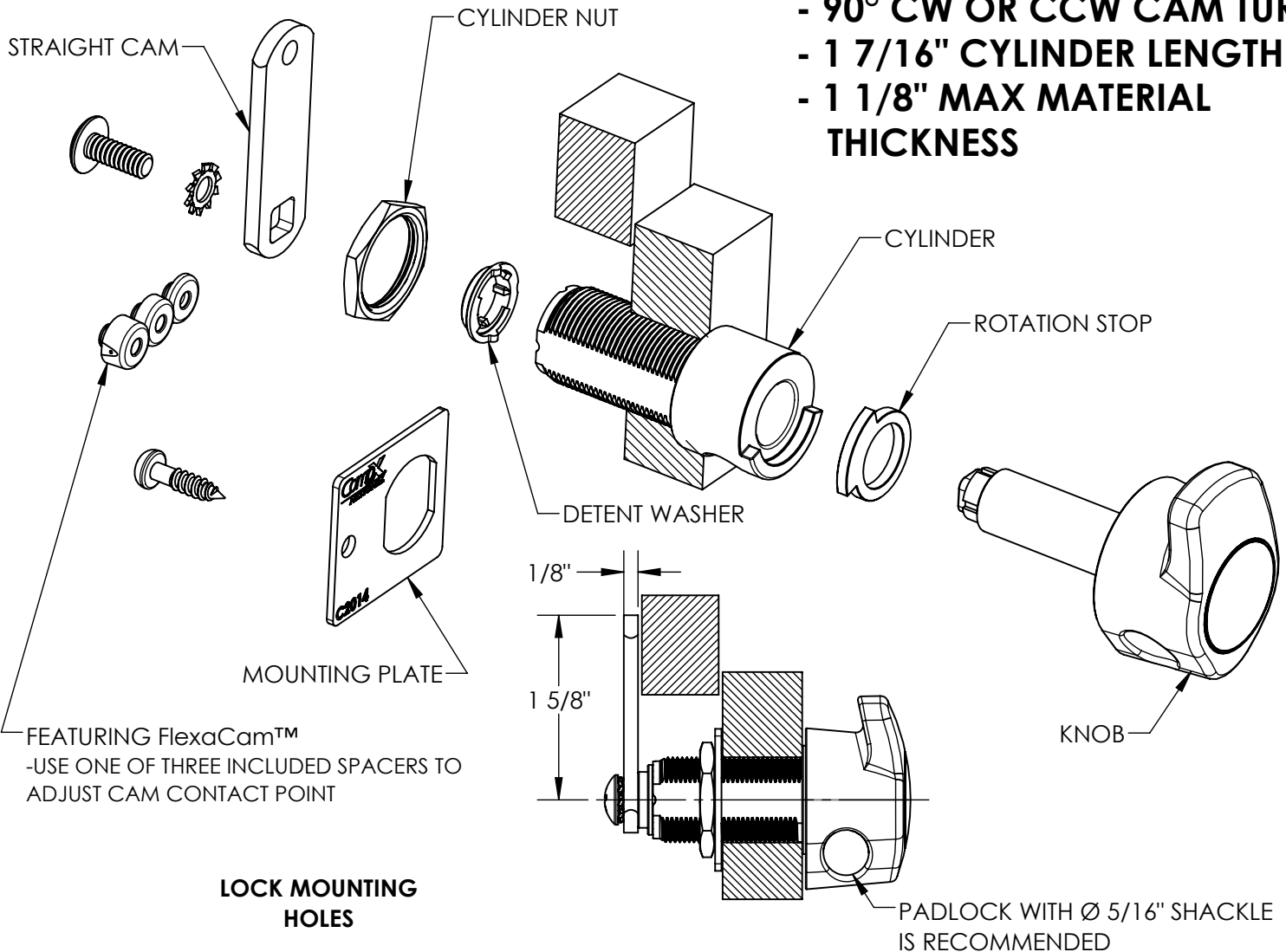


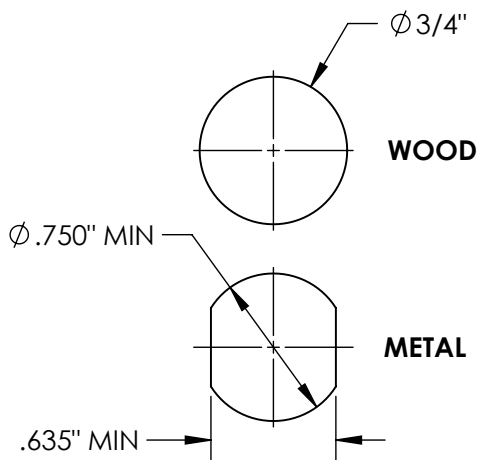
C8010 PADLOCK CAM LOCK

- 90° CW OR CCW CAM TURN
- 1 7/16" CYLINDER LENGTH
- 1 1/8" MAX MATERIAL THICKNESS

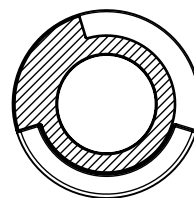


FEATURING FlexaCam™
-USE ONE OF THREE INCLUDED SPACERS TO
ADJUST CAM CONTACT POINT

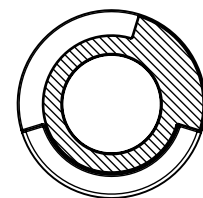
LOCK MOUNTING HOLES



CYLINDER FRONT VIEW, SET ROTATION STOP
BEFORE INSTALLING KNOB



INSTALL ROTATION STOP
AS SHOWN FOR 90°
CW ROTATION



INSTALL ROTATION STOP
AS SHOWN FOR 90°
CCW ROTATION

FOR 180° ROTATION, OMIT ROTATION STOP