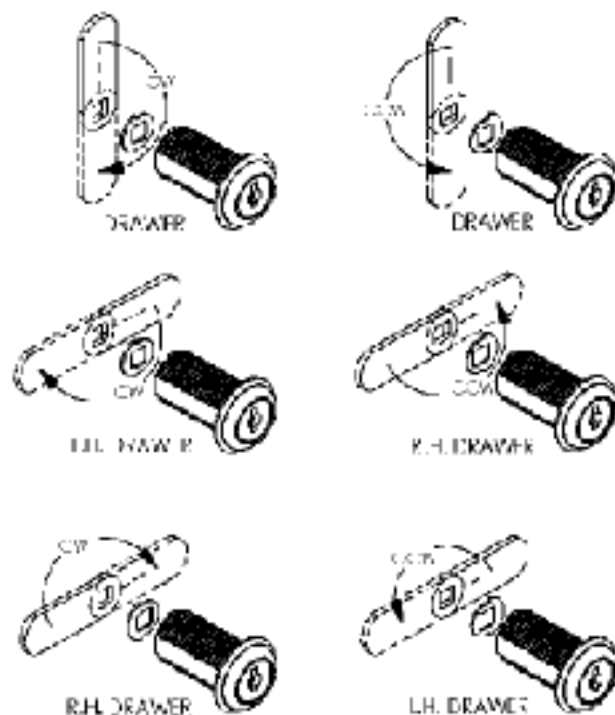


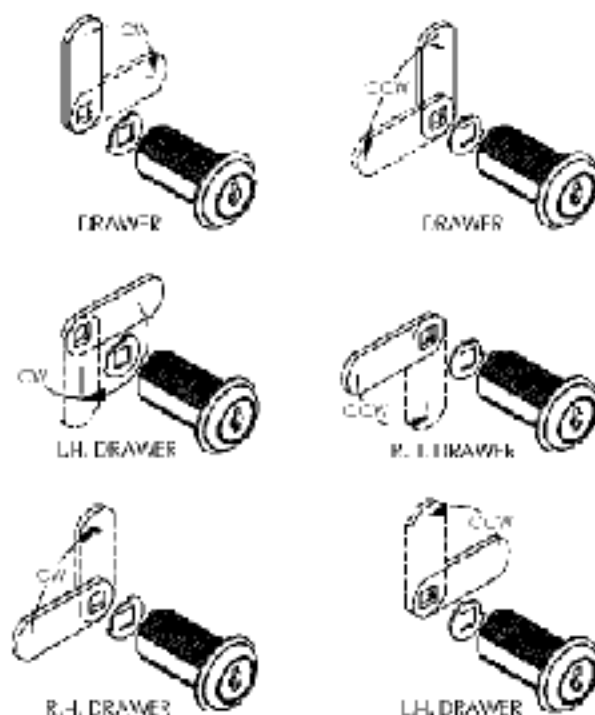
## C8075 CAM LOCK

- 5 DISC TUMBLER
- 90 OR 180 CAM TURN
- 1 7/16" CYLINDER LENGTH

### 180° CAM TURN

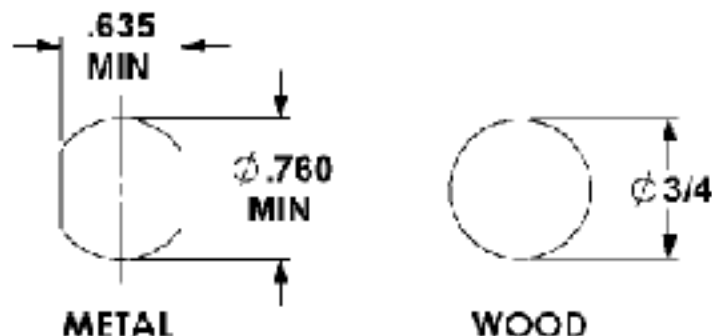


### 90° CAM TURN



SOLID LINE S-HOWS LOCKED POSITION

### CYLINDER MOUNTING HOLES



NOTE: DO NOT USE SPUR WASHER WITH METAL DOOR OR DRAWER

