

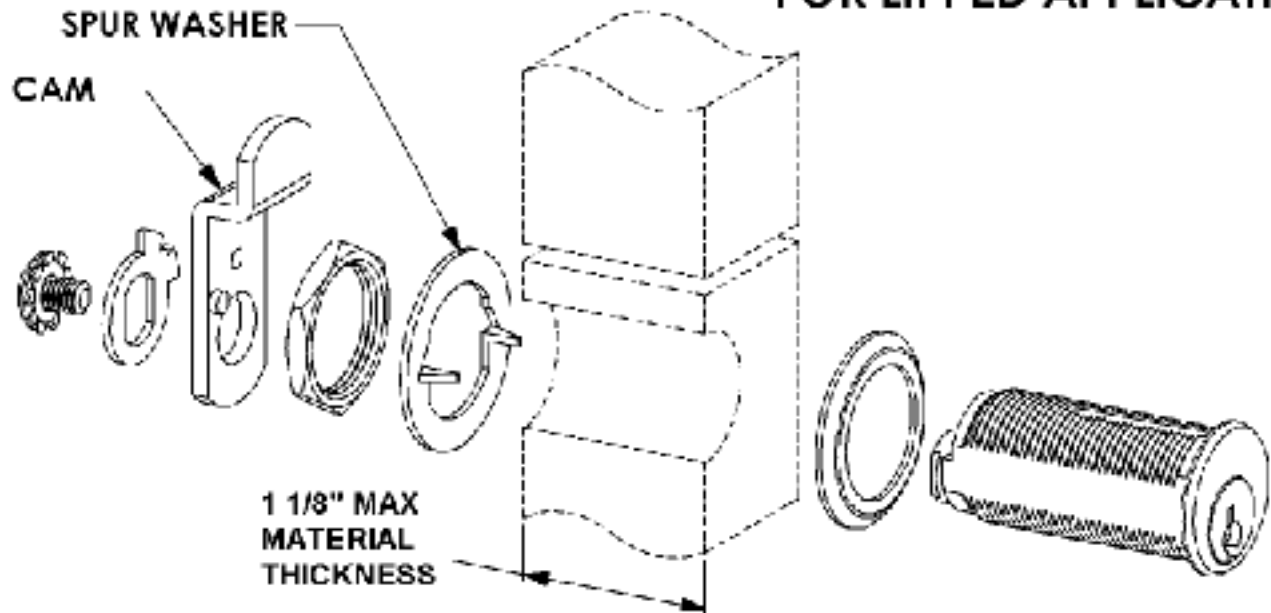
# STOCK LOCKS

Manufactured by

**NATIONAL**   
**CABINET LOCK**

## C8106 CAM LOCK

- 4 PIN TUMBLER
- 1 1/16" BRASS CYLINDER
- 5/8" CAM OFFSET
- FOR LIPPED APPLICATIONS



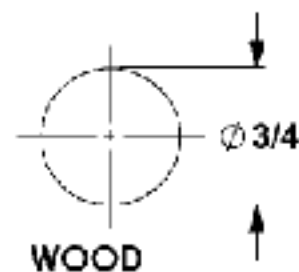
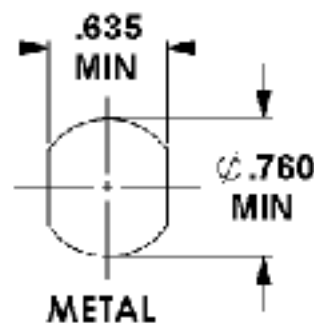
ASSEMBLED WITH  
CAM FOR LH. DOOR  
OR CW DRAWER USE

NOTE: CAMS ARE NOT  
REVERSIBLE



EXTRA CAM FOR  
R.H. DOOR OR  
CCW DRAWER  
USE

### CYLINDER MOUNTING HOLES



NOTE: DO NOT USE SPUR WASHER WITH METAL DOOR OR DRAWER