

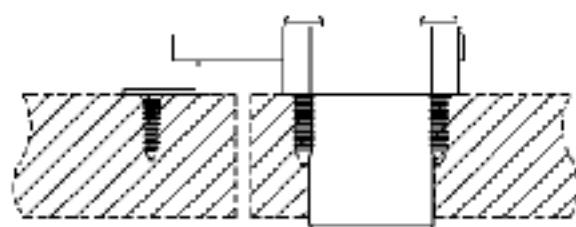
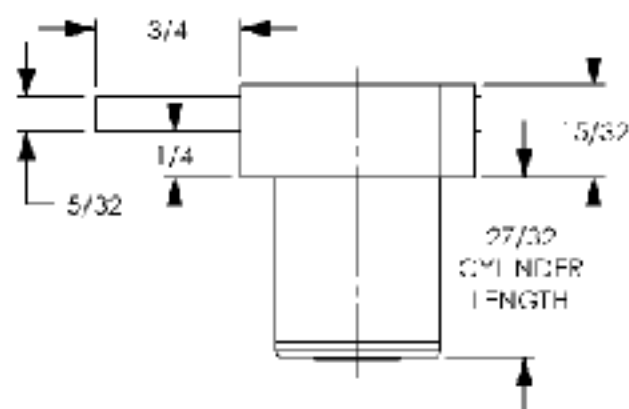
STOCK LOCKS

Manufactured by

NATIONAL 
CABINET LOCK

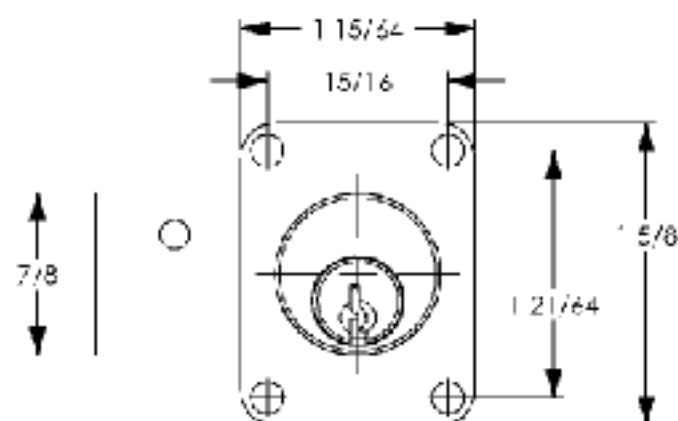
C8173 DOOR LOCK

- 4 PIN TUMBLER
- BRASS CYLINDER
- FOR RH OR LH DOORS

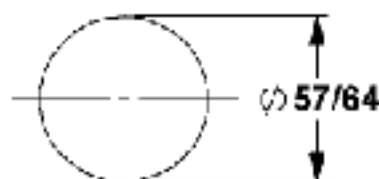


LOCK IS SHOWN IN LOCKED POSITION FOR RIGHT HAND DOOR APPLICATIONS.

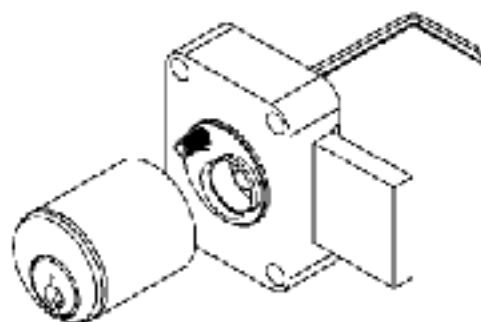
LOCK IS REVERSIBLE FOR LEFT HAND DOOR APPLICATIONS.



CYLINDER MOUNTING HOLE



DRILL $1/16$ INCH DIAMETER PILOT HOLES FOR MOUNTING SCREWS



USE A $5/64$ ALLEN WRENCH FROM THE BACK TO REMOVE THE CYLINDER.

NOTE: LOCK MUST BE IN THE POSITION SHOWN.