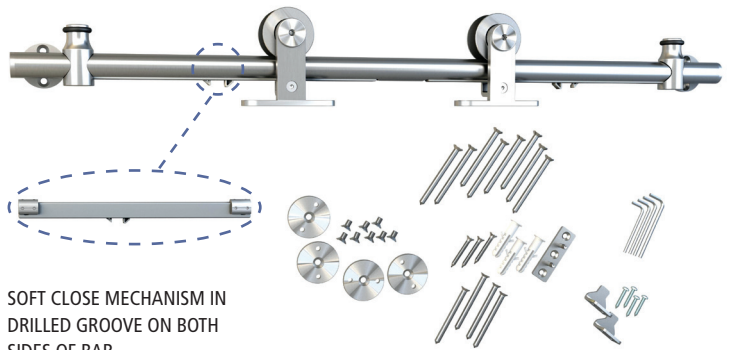
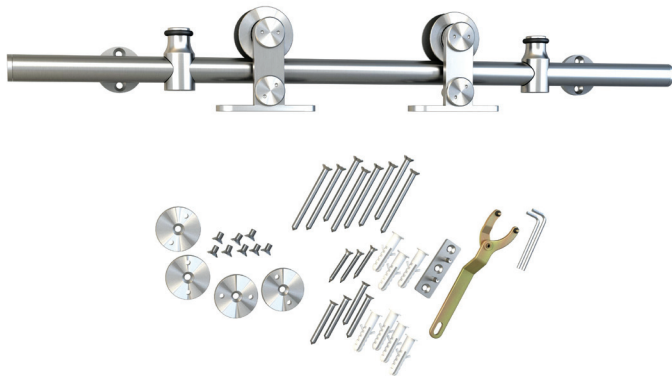


Features

- ▶ Stainless Steel
- ▶ Max. Door Weight: 260 lbs (120 kg)
- ▶ Suitable for door thickness of 1-3/16 – 1-3/4" (30 – 45 mm)



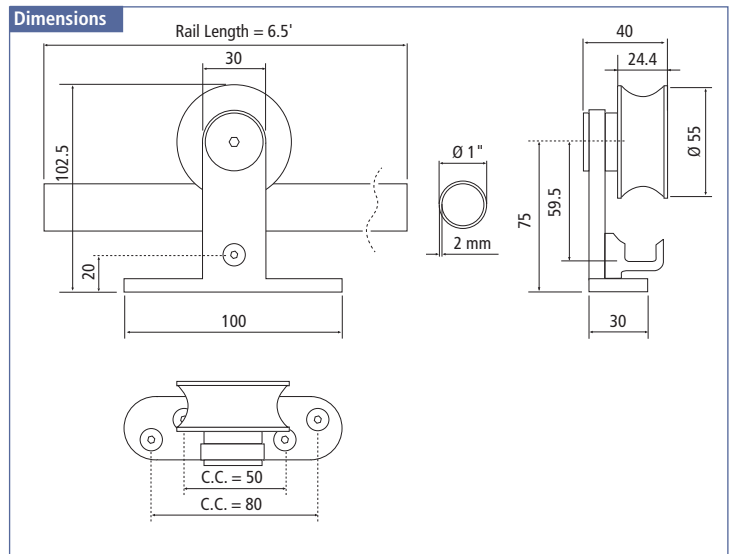
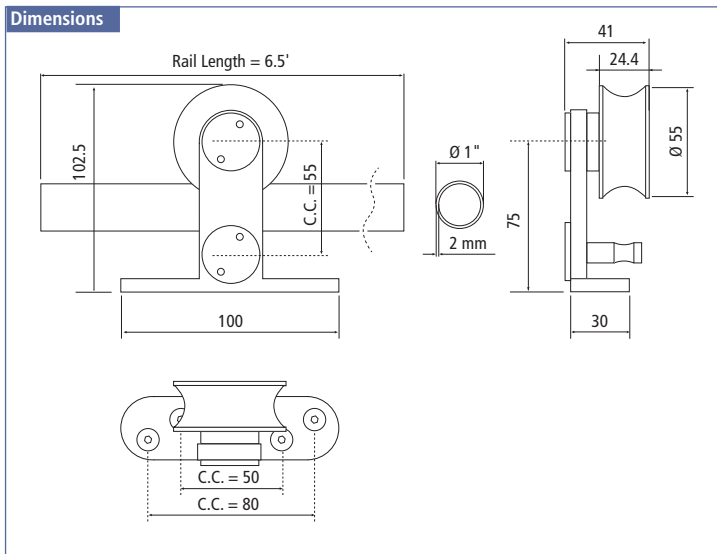
SOFT CLOSE MECHANISM IN DRILLED GROOVE ON BOTH SIDES OF BAR

Set includes
4 Clamps for Fixing Track
2 Door Stoppers
1 Rail, Length 6.5'
2 End Caps
2 Sliding Door Rollers
1 Floor Guide
Screws and Mounting Tools

Item Number	Description
77124 56 003	Top Door Hardware Kit

Set includes
4 Clamps for Fixing Track
2 Door Stops
1 Rail, Length 6.5'
2 End Caps
2 Soft Close Mechanisms
2 Triggers for the Soft Close
2 Sliding Door Rollers
1 Floor Guide
Screws and Mounting Tools

Item Number	Description
77123 56 004	Top Door Hardware Kit with Soft Close



Installation manual

