

CAUTION, RISK OF FIRE, INSTALL ONLY IN OPEN TOP CABINETS

INSTRUCTION SHEET Canister Cabinet Light Fixtures

READ THIS FIRST!

Carefully read all instructions before installing and operating fixture. If you have any questions regarding the proper use, installation or local building codes, consult a qualified electrician.

IMPORTANT SAFETY INSTRUCTIONS

CAUTION: This portable lamp has a polarized plug (one blade is wider than the other) as a feature to reduce the risk of electric shock. This plug will fit in a polarized outlet only one way. If the plug does not fit full in the outlet, reverse the plug. If it still does not fit, contact a qualified electrician. Never use with an extension cord unless plug can be fully inserted. Do not alter the plug.

Instructions for proper use.

This canister cabinet light is intended for final installation into free standing furniture only, such as a cabinet (open), china hutch, book case, console, bed headboard, etc. It is not intended for permanent installations that are integral to a building's structure, or into furniture that is intended to be secured or built into a building's structure. For use only with other cabinet lights and furniture wiring system accessories where the first element in the series has a ten foot cord. The maximum spacing between cabinet lights is determined by the length of cord provided. Adjacent cabinet lights must be spaced at least 12" apart. Do not use extension cords.

- If the use of this product is in question, contact a qualified electrical or building inspector. Installation is to be in accordance with all national (NEC), state and local codes.
- These instructions must be followed in order to meet the requirements of the Canadian Electrical Code. Parts I and II.

Customer Service

Should you require additional information regarding canister lights or components, we invite you to call Specialty Lighting. Our business hours are:

Monday thru Friday (except holidays)
8:00AM to 5:00PM eastern time
Phone: 704-482-3416
Fax: 704-484-0818

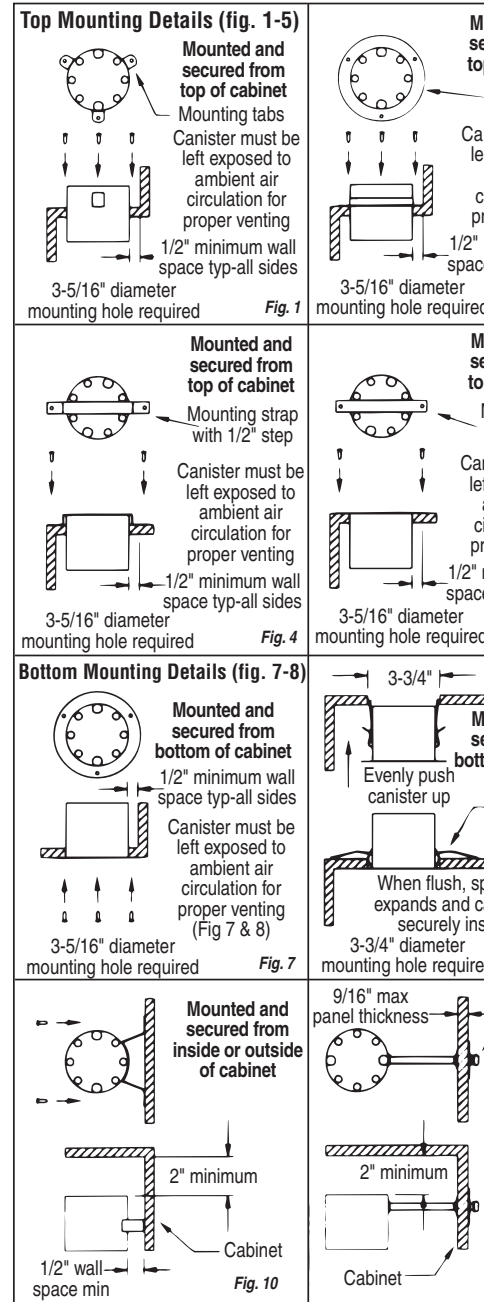
CAUTION: To reduce the risk of fire, electric shock or injury to persons:

- Use only insulated staples or plastic ties to secure cords.
- Route and secure cords so they will not be pinched or damaged when the cabinet is pushed to the wall.
- Position cabinet light with respect to cabinet so as to permit reading of the lamp.
- Not intended for recessed installation in ceilings.
- Not intended for illumination of aquariums.
- Not intended for installation in plastic cabinets.

Instructions pertaining to a risk of fire, electric shock and exposure to excessive UV radiation or injury to persons:

- Lighted lamp is HOT!
- Turn off/unplug and allow to cool before replacing lamp.
- Lamps get HOT quickly! Only contact switch/plug when turning on.
- Do not remain in light if skin feels warm.
- Do not look directly at lighted lamp.
- Keep lamp away from materials that may burn.
- Do not touch lamp at any time. Use a soft cloth. Oil from skin may damage the bulb.
- Six (6) units (MAX) may be interconnected and each spaced up to ten (10) feet apart.

SAVE THESE INSTRUCTIONS



Installation instructions shall be provided with each portable cabinet light and shall include the information below. For bulk-packaged portable cabinet lights that are shipped to and installed by a furniture manufacturer, only one set of installation instructions is required per bulk shipping carton.

- 1) CAUTION: to reduce the risk of fire, electric shock or injury to persons:
 - a) Use only insulated staples or plastic ties to secure cords.
 - b) Route and secure cords so they will not be pinched or damaged when the cabinet is pushed to the wall.
 - c) Position cabinet light with respect to cabinet so as to permit reading of the lamp.
 - d) Not intended for recessed installation in ceilings.

- 2) For surface mounted, non-class 2 units, instructions shall include the following:
 - a) Not intended for surface installation inside built-in furnishings such as kitchen cabinets, china cabinets, or trophy cases
 - b) The portable cabinet light may be installed under a kitchen cabinet when the power supply cord is not concealed or run through openings in the cabinet.
 - c) Do not conceal power supply cord (or power supply) inside wall, ceiling, soffit, kitchen cabinet, or similar permanent structure
 - d) Do not run the power supply cord through holes in walls, ceilings or floors.

- 3) For recessed mounted (includes blind recess), non-class 2 units, the instructions shall include the following:
 - a) Not intended for recessed installation in built-in furnishings such as kitchen cabinet, china cabinet, or trophy case
 - b) Do not conceal power supply cord inside a wall, ceiling, soffit, kitchen cabinet, or similar permanent structure
 - c) Do not run line voltage power supply cord through holes in walls, ceilings, or floors