

INSTALLATION INSTRUCTIONS INSTALLATION INSTRUCTIONS

CARE AND USE MANUAL FOR:
NOTICE D'UTILISATION ET D'ENTRETIEN POUR:
**BUILT-IN RANGE HOODS
HOTTES ÎLOT**



Models covered by this instructions:
Notice d'instruction pour les modèles:
SU900, SUT900, SUE900, SU901, SU902, SU903, SU908

*** BEFORE INSTALLATION ***

ENSURE THERE IS NO VISIBLE OR HIDDEN DAMAGE SUSTAINED DURING SHIPPING

*** AVANT L'INSTALLATION ***

S'ASSURER QUE LES PRODUITS N'ONT SUBI AUCUN DOMMAGE PENDANT LE TRANSPORT

*** SHIPPING DAMAGE ***

MUST BE REPORTED WITHIN 5 DAYS OF RECEIPT

*** DOMMAGES DE TRANSPORT ***

DOIVENT ÊTRE NOTIFIÉS DANS LES 5 JOURS SUIVANT LA RÉCEPTION



Sirius

WARNING

*Thank you for purchasing a Sirius Range Hood.
Please read all the instructions in this manual before
installing the appliance.*

Save these instructions for future reference.

Only use this appliance as an exhaust ventilation system for the removal of cooking vapors. **DO NOT** use to expel flammable substances or any other materials or vapors.

The installation procedures in this manual are intended for qualified installers, service technicians or persons with similar qualified background. **DO NOT** attempt to install this appliance yourself.

Ensure that electrical power is turned off at source before commencing installation. All electrical wiring must be properly installed, insulated and grounded and conform to all applicable codes and standards.

Make sure all existing duct work is clean of grease build up, or duct work should be replaced, if necessary, to avoid the possibility of a grease fire. Check all joints on ductwork to ensure proper connection and all joints should be properly taped. Be careful when cutting through ceilings or walls not to damage any hidden pipes or electrical wiring. Ensure your kitchen has sufficient air return vents to replace the exhausted air.

Fan ducts should always be vented to the outside of your home and never into spaces within walls, ceilings, lofts or attics. Only use rigid, smooth steel for ducting. The exhaust point of the blower requires a 6" round connection.

TABLE OF CONTENTS

BEFORE YOU BEGIN	4
DUCTING	4
External venting Requirements	4
Duct Run Calculation	5
ELECTRICAL	5
Electrical Supply	5
INSTALLATION	6
Applications	6
Connecting Electricity and Ducting	8
Re-Circulating Requirements	9
OPERATING PROCEDURES	10
General Advice	10
Functions	10
MAINTENANCE	12
Cleaning the Filter	12
Cleaning the Hood	12
Light Bulb Replacement	13
WARRANTY	14

BEFORE YOU BEGIN

The manufacturer declines all responsibility in the event of failure to observe the instructions given here for installation, maintenance and suitable operation of the product. The manufacturer further declines all responsibility for injury due to negligence and the warranty of the unit automatically expires due to improper maintenance and/or installation.

BEFORE YOU BEGIN: It is advisable to test run the range hood before installation.

BEFORE STARTING – please read this entire document and ensure you are fully conversant with the requirements and limitations. These units weigh approximately 125lbs and therefore require a minimum of two people to install.

DUCTING

(Not applicable if the range hood is used in re-circulating mode).

WARNING: Do not vent this appliance into any other ductwork, spaces between walls, ceilings, attics, garages or any other confined space.

External Venting Requirements.

When planning new ductwork, always look for the most direct route to the outside. Venting can be done through the roof or directly through the back outside wall. (See Figure 1 and 2) Only use rigid type metal ducting (plastic ducting is generally not permitted by code). Flexible ducting could restrict airflow by up to 50%.

Always fasten connections with sheet metal screws and tape all joints with certified Silver Tape or Duct Tape. Do not use screws to fasten ductwork to the hood, only use tape as the screws will stop the dampers from opening and your hood will not work. This hood requires a 6" round duct outlet. You can increase the duct size of the duct run but never decrease it. Use the shortest and most direct route possible. Always, wherever possible, reduce the number of transitions and turns with as few sharp angles as possible. Two staggered 45 degree angles are better than one 90 degree. Make these turns as far away from the motor exhaust as possible, with as much space between each bend.

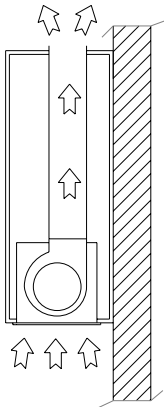


fig. 1

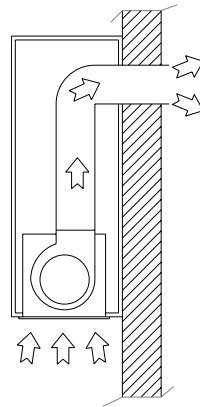


fig. 2

Duct Run Calculation.

The maximum duct run before effecting the performance of the hood is 100'. Calculate your duct run by measuring linear feet and adding the elbows, transitions and caps based on the table below.

Maximum Run	
6" or 3 1/4 x 10" duct	100 FT
Deduct	
Each 90 elbow used	15FT
Each 45 elbow used	9FT
Each 6" or 3 1/4 x 10" duct	
Transition used	1FT
Each 3'1/4 x 10" to 6"	
Transition used	5FT
Side Wall with damper	30FT
Roof Cap	30FT

The ducting connection to the hood must be in line with the central vertical axis of the range hood 1" away from the back wall on which the hood is to be mounted.

Range hoods may interrupt the proper flow of combustion gases from fireplaces, gas furnaces and gas water heaters.

To minimize the risk of drawing these lethal gases back into the home, please follow the heating equipment manufacturers safety standards and guidelines carefully.

Refer to NFPA and ASHRAE for additional information.

ELECTRICAL

WARNING: All electrical work must be performed by a qualified electrician.

Please ensure that the appropriate electrical codes or prevailing local building codes and ordinances are adhered to.

Ensure that the electricity supply is disconnected at source. Do not use an extension cord or adapter plug with this appliance.

This appliance must be grounded. Connect to a properly grounded branch circuit, protected by a 15 amp circuit breaker.

Electrical Supply.

This appliance requires 120V/60Hz, 3amp electrical supply - ensure an appropriately qualified person completes the electrical hook-up. The connection point for the electrical supply is at the top of the unit, therefore the electrical supply must be run down from the ceiling alongside the ductwork.

All electrical and venting hook-ups must be in place before commencing installation of the hood-fan.

INSTALLATION

Applications

The **SU900** – **SUT900** – **SUE900** can either be installed inside a wall cabinet (provided the inside depth is greater than 11”) or used in a custom designed wooden hood. Where installed directly into a wall cabinet, there are two options:

Directly into the cabinet without any form of hood. Directly into the cabinet together with Sch31A where the Sch31A acts as a liner hood and is attached to either the underside of the cabinet or into the sides of the cabinets alongside.

The **SU901** can either be installed inside a wall cabinet or used in a custom designed wooden hood. Where installed directly into a wall cabinet, there are two options:

Directly into the cabinet or directly into the cabinet together with the adjustable Pro liners where the adjustable Pro liners act as a cabinet protection against the heat. The depth of the adjustable pro liners can vary from 23.5” to 25.9”)

The **SU902** and **SU903** can either be installed inside a wall cabinet or used in a custom designed wooden hood.

Depending on which model is used, prepare a cut-out in the underside of the wooden hood to allow the powerpack to fit up into the hood using the following dimensions:

SU900 – **SUT900** – **SUE900** 20”
10” ³/₈ X 19” ¹⁹/₃₂

SU900 – **SUT900** – **SUE900** 27”
10” ³/₈ X 26” ¹¹/₁₆

SU901 32” ¹³/₃₂ X 16” ³/₁₆

SU902 10” ²⁵/₆₄ X 26” ¹/₂

SU903 27” ⁹/₁₆ 9” ¹⁵/₁₆ X 25” ⁹/₁₆

SU903 35” ⁷/₁₆ 9” ¹⁵/₁₆ X 33” ⁷/₁₆

SU908 12” ⁵/₈ X 26” ²/₂

If Sch31A or a Pro Liner are being used, they can be held up under the cabinet and used as a template.

If Sch31A or a Pro Liner are to be used for under cabinet application, they should be installed now.

Installing a SCH31A with SU900 – SUT900 – SUE900. Hold the Sch31A under the cabinet and Screw it to the 4 hole locations. Make sure it lines up with the cut out in your cabinet. The power pack has pressure springs (to be adjusted) on the front and back that will “hook” onto the top surface of the underside of the hood when it is pushed up into the hole that has been cut out (refer to figure 3).

Installing SU900 – SUT900 – SUE900 without a SCH31A. The power pack has pressure springs (to be adjusted) on the front and back that will “hook” onto the top surface of the underside of the hood when it is pushed up into the hole that has been cut out (refer to figure 3).

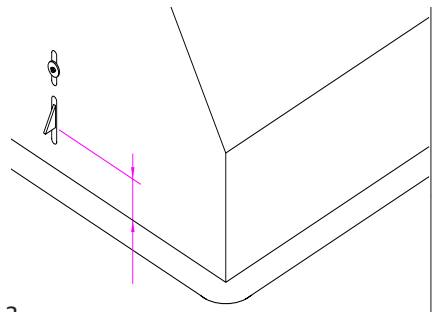


fig. 3

There are four holes on the inside of the SUT900 to fix the unit into the edge of the base of the wooden hood (refer to figure 4).

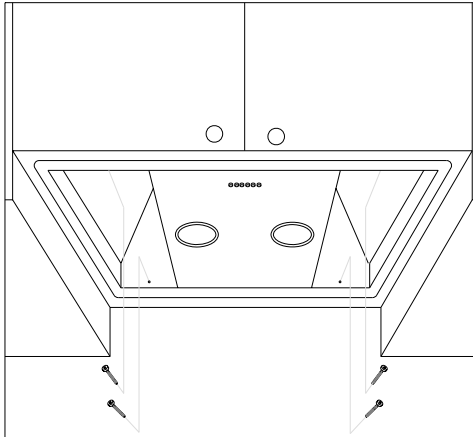


fig. 4

Installing a Adjustable Pro Liner with SU901. Once the cut out has been done install the Adjustable Pro Liner and make sure it lines up with the cut out in your cabinet. Screw it to the 4 hole locations (refer to figure 5).

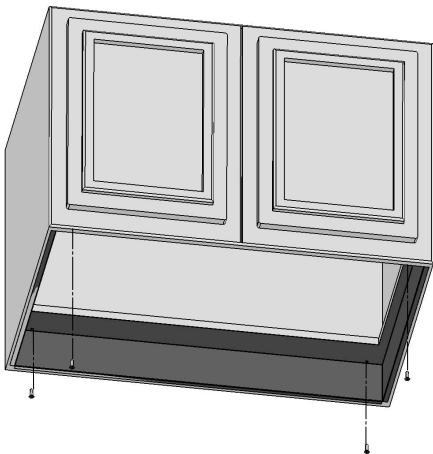


fig. 5

Install the front part of the liner adjusting it to the depth of the cabinet. (refer to figure 6).

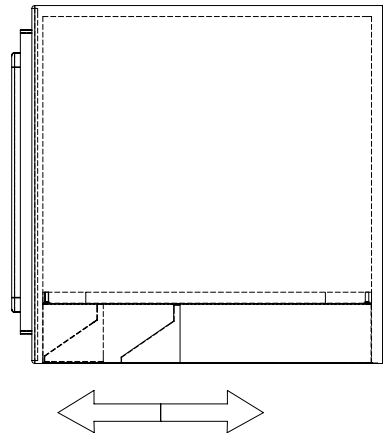
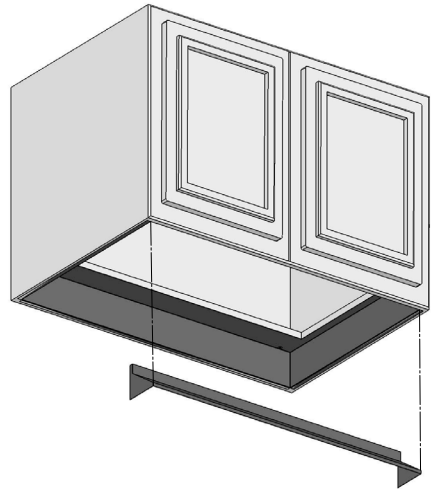


fig. 6

Screw it to the 3 hole locations. **Attention:** be sure the cabinet has a minimum thickness of 0.75" on the 4 sides.

The power pack has pressure springs (to be adjusted) on the front and back that will “hook” onto the top surface of the underside of the hood when it is pushed up into the hole that has been cut out (refer to figure 3).

Installing SU902. The power pack has pressure springs (to be adjusted) on the front and back that will “hook” onto the top surface of the underside of the hood when it is pushed up into the hole that has been cut out (refer to figure 3).

Installing SU903. The power pack has pressure springs (to be adjusted) on the front and back that will “hook” onto the top surface of the underside of the hood when it is pushed up into the hole that has been cut out (refer to figure 7–8).

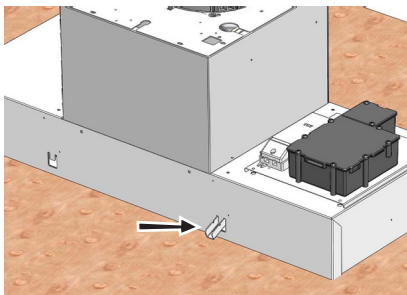
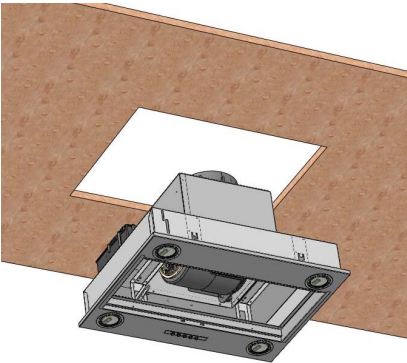


fig. 7–8

Insert and Fix the 4 clamping levers as described in the pictures 9.

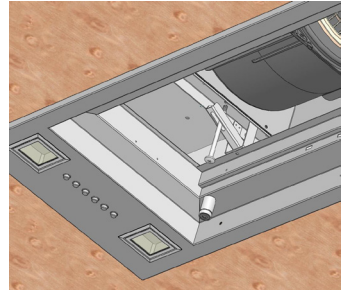


fig. 9

Screw carefully in order to keep the product straight.

INSTALLING SU908

There are four holes on the inside of the SU908 to fix the unit into the edge of the base of the wooden hood (refer to figure 4).

Connecting Electricity and Ducting.

Please refer to the Electrical Supply section on page 2 for the required location of the electrical supply.

CAUTION: Make sure the power is turned off at source. Make electrical connections (refer to Figure 10). Ensure that the plastic flaps at the exhaust outlet for the fan move freely and have not become jammed or stuck.

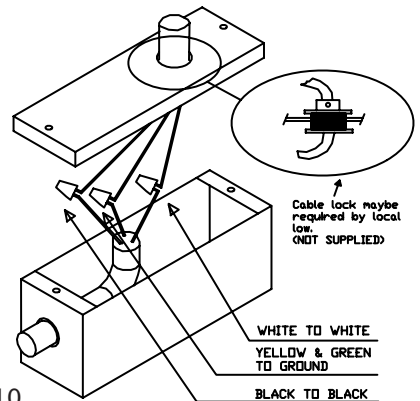


fig. 10

Connect the appropriate length of ducting to the fan exhaust point and join up with the ducting to the exterior.

Do not fix the ducting to the range hood exhaust outlet with screws—use duct tape. Use duct tape on all joints.

Re-Circulating Requirements.

If the unit is to be used in the recirculating mode, fit the carbon filters after the installation is complete (refer to Figure 11).

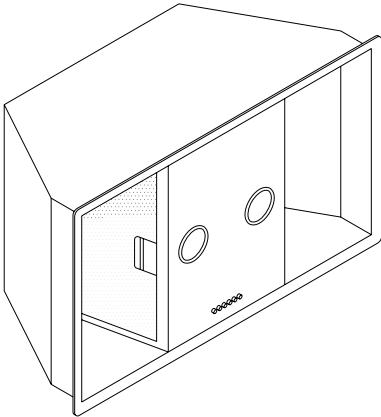


fig. 11

The carbon filter fits in behind the aluminium grease filter. Ensure that the plastic tabs on the carbon filter are facing outwards otherwise it will be difficult to remove it later for replacement.

A short length of ductwork must be connected from the exhaust outlet on the fan to wherever the air is to be exhausted.

Allow sufficient space to connect the ductwork to the top of the exhaust outlet on the fan housing. Do not fix the ducting to the range hood exhaust outlet with screws, use duct tape. Duct tape should be used on all joints.

OPERATING PROCEDURES

Read all the instructions before operating the appliance. Save these instructions for future reference.

General Advice.

Ensure that the grease filters are in place. Without these components, operating blowers could catch on to hair, fingers and loose clothing. Keep fan, filters and surfaces clean of grease and fat. Always turn hood fan ON when cooking. NEVER leave cooking unattended.

NEVER dispose cigarette ashes, ignitable substances or any foreign objects into blowers.

Cooking that generates flame is not recommended as this hood is equipped with a thermal overload that will shut down the motor if it senses excessive heat. When frying, oil in the pan can easily overheat and ignite. Heat oil slowly in an appropriately sized pot (covering the entire burner) to reduce the risk of boiling over and burning.

In the event of a range top grease fire, observe the following:

Switch OFF the range hood. Turn off the cook top then smother flames with a close fitting lid, cookie sheet or other metal tray. If the flames do not go out immediately.

EVACUATE AND CALL THE FIRE DEPARTMENT.

Never pick up a flaming pan - you may be burned. DO NOT USE WATER including wet dishcloths or towels, as a violent steam explosion may occur.

FUNCTION

SU900-SU901-SU902-SU903-SU908
(Fig. 12).

- A: Light ON/OFF button
- B: Blower Speed 1 (low) or OFF
- C: Blower Speed 2 (medium)
- D: Blower Speed 3 (high)
- E: Blower Speed 4 (intensive)
- F: 10 Minute Timer

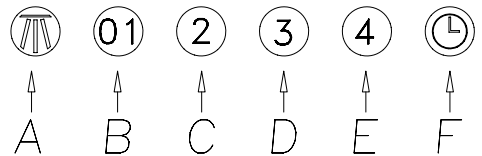


fig. 12

SUE900 (Fig. 13)

- A: Light ON/OFF button
- B: Blower Speed 1 (low) or OFF
- C: Blower Speed 2 (medium)
- D: Blower Speed 3 (high)
- E: Hood in operation light

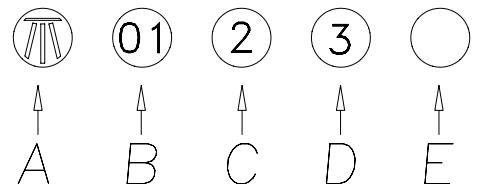


fig. 13

SUT900 (Fig. 14)

Remote control

- A: At every selected function, the led lights on accordingly.
- B: To increase the speed.
- C: To switch on the lights or to switch them off.
- D: ON/OFF To go from a higher speed back to first one press twice the button: To switch the hood on or off press once this button.
- E: To reduce the speed.
- F: To set the timer.

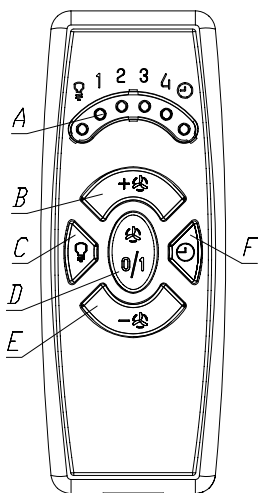


fig. 14

The led on the right side will start (every 5 seconds), the hood will work for 10 minutes at the selected speed and then it lights automatically off. If the client increases or reduced the speed while the timer is on, this is automatically stopped.

TECHNICAL DATA:

Alkaline battery powered:	12v mod. 23A
Operating frequency:	433.92 Mhz
Combinations:	4096
Max. consumption:	25Ma
Operating temperature:	-20° : +55°C

Standard configuration.

If two cooker hoods–radio control system are installed in the same room or in the immediate vicinity, each system may affect the operation of the other, due to the fact that they have the same code. Therefore it will be necessary to change the code of one of the radio controls.

Generating a new transmission code.

The radio control is supplied by the manufacturer with default codes stored. If you want to create a new set of codes, proceed as follows: press and hold the UP, STOP and DOWN buttons simultaneously for 2 seconds. After the LEDS light up, press the UP and DOWN buttons within 5 seconds. The LEDS will flash 3 times to indicate that the process is completed. **WARNING:** This procedure deletes all previously–stored codes.

Learning the new transmission code.

After changing the transmission code on the radio control, the cooker hood electronic control unit must be made to set the new code as follows: press the main Power Off button on the cooker hood and then restore power to the electronic control unit. Within the next 15 seconds, press the Light button. This will ensure the control unit is synchronized with the new code.

Warning The battery should be replaced every year to guarantee the optimal range of the transmitter. To replace the exhausted battery, take the plastic lid off, remove the battery and replace it with a new one, observing the correct battery polarities. Used batteries should be discarded in special collection bins.

Filter requires washing indicator: after 30 hours of use, all the buttons will light up to remind you that the grease filter should be cleaned. Follow the instructions for cleaning filters in this booklet. Once the grease filters have been cleaned and replaced, reset by pressing the timer button (F). Do not rely solely on this indicator. Generally, the grease filter should be washed on a regular basis to avoid grease filter fires.

The blower should be turned on for approximately 5 minutes before cooking in order to establish air currents upward through the hood. Use the low speeds for normal use and the higher speeds for strong odors and fumes.

MAINTENANCE

The hood-fan should provide many years of trouble free service provided it is maintained properly.

Cleaning the Filter.

Clean the grease filter either by carefully hand washing, (so as not to damage the filter design) or, preferably in a dishwasher. Depending on use, the filters should be cleaned at least every two weeks in a dishwasher.

If a carbon filter has been fitted this must be replaced at least every 6 months as a minimum. Depending on cooking style and nature of cooking (greasy foods, fry's, curries etc) would probably require more frequent replacement - if odors start to manifest themselves when cooking it is time to replace the carbon filter. We suggest you retain a spare set. These can be ordered from the supplier of your range hood.

Cleaning the Hood.

Cleaning of the internal parts should be done with a clean damp (not excessively wet) cloth together with regular household detergent. The external stainless steel elements should be cleaned with a good quality foaming stainless steel cleaner. Read the manufacturers directions. Generally they recommend that the foam be sprayed onto a clean dry cloth and then applied to the stainless steel. Allow the foam to react on the surface for a few minutes and then wipe with a clean dry cloth.

On the surfaces that are exposed directly to heat from the cook-top, it is advisable to clean these on a regular basis to avoid the marks from becoming baked on.

Do not under any circumstances use an abrasive type cleaner as this will scratch and damage the stainless steel finish. Glass components should be cleaned with a product such as Windex.

Light Bulb Replacement. (if in doubt, call 877-474-8770)

Turn blower and lights off. Make sure the lights are cool.

Do not remove the entire fixture (socket) as this is very difficult to reinstall.

Visually inspect the light fixture and establish whether the unit has a smooth or “toothed” metal ring.

If smooth remove the **glass blocking ring** by prying out with a sharp, soft instrument such as a toothpick (refer to figure 15).

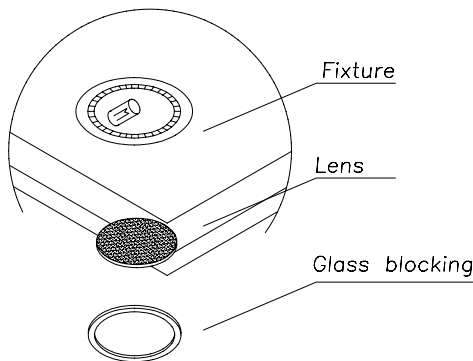


fig. 15

Steel instruments will scratch the surface. Be careful that the lens does not fall out. If “toothed”, place the tip of your finger between the lens and the ring. Making your way around the ring, gently pull your way outwards until a point is found where the ring pulls off.

Replace the appropriate bulb. Check parts brochure or specification sheets on our website. Wipe both sides of the glass whilst it is out.

Sirius

Three Year Limited Warranty

YOU MUST REGISTER THE PURCHASE OF YOUR PRODUCT ON LINE AT www.siriuscappe.com/usa/warranty.htm TO CONVALIDATE YOUR WARRANTY.

YOU CAN FIND THE DATA OF YOUR HOODS ON A LABEL INSIDE THE HOOD. JUST REMOVE THE GREASE FILTER TO READ IT.

WARRANTY SERVICE

To qualify for warranty service, you must notify Sirius After sale service at the email address stated below or call toll free USA 1-877-474-8770 and provide the model number, description of the fault or defect and original date of purchase. Sirius reserves the right to request proof of original purchase. Sirius will at its sole option and discretion replace products that arrive damaged through shipping, provided shipping damage is reported as stated above WITHIN 5 BUSINESS DAYS OF RECEIPT of the shipped product or products.

ONE YEAR SERVICE REPAIR WARRANTY:

During the first year from date of original purchase, Sirius will, at its option, repair or replace, without charge, any product or part which is found to be defective under normal use and service.

THREE YEAR PARTS WARRANTY:

For three years from date of purchase, Sirius will provide free of charge, non-consumable replacement parts which are found to be defective under normal use and service.

WHO IS COVERED:

Sirius warrants to the original consumer purchaser of its products that such products will be free from defects in materials and workmanship for a period of three years from the original date of purchase. There are no other warranties, express or implied, including, but not limited to, implied warranties of merchantability or fitness for a particular purpose or application.

WHAT IS NOT COVERED:

This warranty does not extend to filters, lamps, batteries, ducts and ductwork components. This warranty does not cover normal maintenance and service or products or parts which have been subject to misuse, negligence, accident, improper maintenance or repair, faulty installation or installation contrary to recommended installation instructions. The warranty on glass screens is limited to manufacturing defects only and expressly excludes cracks and breakages as a result of faulty installation. *Labor and associated costs associated directly with removal and re-installation are expressly excluded.*

The duration of any implied warranty is limited to the three year period as specified for the express warranty. Some states and provinces do not allow limitation on how long an implied warranty lasts, so the above limitation may not apply to you.

Sirius S.P.A.

Zona industriale Berbentina 6/A

60041 SASSOFERRATO (AN) - ITALY

INSTRUCTIONS IMPORTANTES POUR LA SÉCURITÉ

*Merci d'avoir choisi une Hotte de Cuisine Sirius.
Veuillez lire attentivement toutes les instructions
avant l'installation et l'utilisation de l'appareil.*

*Conservez ces instructions afin de pouvoir les
consulter au besoin.*

Cet appareil est destiné à la ventilation générale seulement. **NE L'UTILISEZ PAS** pour évacuer des vapeurs ou des substances dangereuses ou explosives.

Confiez l'installation et les réparations uniquement à un professionnel, conformément aux normes de sécurité en vigueur.

N'ESSAYEZ PAS d'installer cet appareil par vous-même.

Avant l'installation veillez que l'appareil soit hors tension.

Tout le câblage électrique doit être correctement installé, isolé de mise à la terre conformément aux codes et aux normes applicables.

Assurez-vous que les conduits d'évacuation sont propres et libres d'accumulation de graisses ou remplacez les conduits pour éviter de provoquer un incendie.

Vérifiez que tous les joints du conduit sont bien fixés et scellés. Faites attention lors des travaux de maçonnerie de ne pas endommager des tuyaux ou câbles électriques. Assurez-vous que votre cuisine est équipée de bouches de ventilation qui évacuent l'air vicié.

Le conduit de ventilation doit toujours terminer à l'extérieur et jamais dans des espaces clos, plafonds ou greniers. Pour le conduit utilisez seulement des éléments rigides en acier lisse.

La sortie de la soufflante nécessite d'un conduit rond de 6".

TABLE DES MATIÈRES

AVANT DE COMMENCER	17
CONDUIT	17
Mode Évacuation Extérieure	17
Calcul Longueur Conduit	18
ÉLECTRICITÉ	18
Alimentation Électrique	18
INSTALLATION	19
Montage	19
Branchements Électriques et Conduit	21
Mode Recyclage	22
PROCÉDURES D'UTILISATION	23
Recommandations Générales	23
Fonctions	23
ENTRETIEN	25
Nettoyage des Filtres	25
Nettoyage de la Hotte	25
Remplacement des Ampoules	26
GARANTIE	28

AVANT DE COMMENCER

Le fabricant décline toute responsabilité en cas de dommages causés par un non respect des instructions d'installation, d'utilisation et d'entretien contenues dans cette notice.

Le fabricant décline toute responsabilité causée par négligence et la garantie cesse automatiquement en cas de mauvais entretien et/ou installation du produit.

AVANT DE COMMENCER : On conseille de vérifier le fonctionnement de la hotte avant son installation.

AVANT DE COMMENCER – Lisez attentivement cette notice afin d'avoir les connaissances requises pour utiliser ce produit. Ce produit pèse env. 125lbs et nécessite donc un minimum de deux personnes pour son installation.

CONDUIT

(Ne s'applique pas si la hotte est utilisée en mode Recyclage).

REMARQUE: Ne branchez jamais ce produit à un autre conduit d'évacuation, des espaces entre deux parois, plafonds, greniers, garages ou espaces clos.

Version évacuation extérieure.

Lors du montage du conduit d'évacuation, cherchez la voie la plus directe vers l'extérieur. Le conduit peut évacuer l'air par le toit ou directement par le mur extérieur. (Voir fig. 1 et 2). Utilisez seulement des tuyaux rigides en métal (les tuyaux en plastiques sont interdits par le code). Les conduits flexibles limitent le flux d'air du 50%.

Fixez toujours les raccords avec des vis en tôle et isolez tous les joints avec du ruban adhésif métallique (ou pour conduit). N'utilisez jamais des vis pour fixer le conduit à la hotte ; utilisez uniquement du ruban adhésif, du moment que les vis peuvent empêcher l'ouverture des clapets anti-retour et en ce cas la hotte ne fonctionnera pas. Cette hotte nécessite d'un conduit d'évacuation de 6". Il est possible d'utiliser un conduit plus grand, mais pas un plus petit. Optez pour la voie la plus courte et la plus directe. Evitez, si possible, le nombre des raccords et des coudes. Il est préférable d'utiliser deux coudes de 45° plutôt qu'un coude de 90°. Positionnez les coudes loin de l'échappement du moteur et évitez de les positionner trop près les uns des autres.

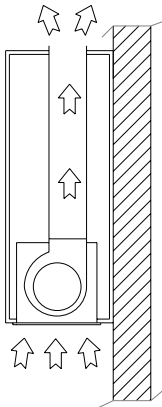


fig. 1

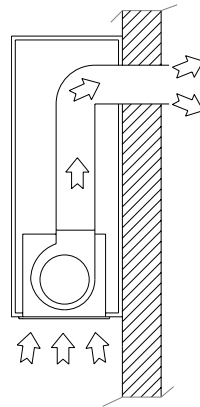


fig. 2

Calcul Longueur Conduit

La longueur maximale du conduit qui n'influe pas sur le rendement de la hotte est de 100". Calculez la longueur du conduit en mesurant les pieds linéaires et en ajoutant les coudes, les raccords et les bouchons selon le schéma suivant.

Longueur maximale	
6" ou 3 1/4 x 10" conduit	100 FT
Deduct	
Chaque coude 90 nécessite	15FT
Chaque coude 45 nécessite	9FT
Chaque 6" ou 3 1/4 x 10" conduit	
Raccord nécessite	1FT
Chaque 3'1/4 x 10" à 6"	
Raccord nécessite	5FT
Paroi latérale avec clapet anti retour	30FT
Sortie toit	30FT

Le raccordement du conduit à la hotte doit être en ligne avec l'axe centrale verticale de la hotte de 1" et loin de la paroi postérieure sur laquelle la hotte sera positionnée.

Les hottes peuvent empêcher la bonne évacuation des fumées des cheminées, des fours et des chauffe-bains à gaz.

Afin de minimiser le risque que ces gaz mortels peuvent retourner dans la maison, observez les normes de sécurité et les directives en vigueur.

Consultez les normes NFPA et ASHRAE pour plus d'informations.

ÉLECTRICITÉ

ATTENTION : Tous les travaux électriques doivent être effectués par un électricien qualifié.

Afin d'assurer la qualité des travaux de construction et d'électricité observez les normes en vigueur.

Assurez-vous que l'alimentation électrique est coupée. Evitez d'utiliser une rallonge ou un adaptateur pendant cette opération.

Cet appareil doit être mis à la terre et le circuit doit être protégé par un disjoncteur de 15 amp.

Alimentation Électrique.

Cet appareil nécessite 120V/60Hz, une alimentation de 3amp - faites effectuer le branchement électrique par une personne qualifiée. La connexion pour l'alimentation électrique se trouve au sommet de l'appareil, par conséquent, le courant doit descendre le long du conduit.

Avant d'installer la hotte, tous les travaux de branchement électrique et d'évacuation des fumées doivent être effectués.

INSTALLATION

Montage

Les modèles **SU900** – **SUT900** – **SUE900** peuvent être placés dans un élément mural (à condition que la profondeur soit supérieure à 11") ou dans un élément en bois conçu sur mesure. Pour le placement dans un élément mural, vous avez deux possibilités :

directement dans l'élément mural sans aucune forme de hotte ou directement dans l'élément avec Sch31A, où Sch31A est une hotte linéaire qui peut être fixée sur le dessous ou à côté du meuble suspendu.

Le modèle **SU901** peut être installé dans un élément mural ou dans un élément en bois conçu sur mesure. Pour le placement dans un élément mural, vous avez deux options : directement dans l'élément mural sans aucune forme de hotte ou directement dans l'élément avec des 'Pro liners' réglables qui protègent le meuble suspendu contre la chaleur. La profondeur des 'Pro liners' réglables peut varier entre 23.5" et 25.9".

Les modèles **SU902** et **SU903** peuvent être installés dans un élément mural ou dans un élément en bois conçu sur mesure. Selon le modèle utilisé, effectuez une « découpe » dans la partie inférieure de la hotte en bois pour permettre le positionnement du groupe d'alimentation dans la hotte en suivant les dimensions suivantes.

SU900 – SUT900 – SUE900 20"
10" $\frac{3}{8}$ X 19" $\frac{19}{32}$

SU900 – SUT900 – SUE900 27"
10" $\frac{3}{8}$ X 26" $\frac{11}{16}$

SU901 32" $\frac{13}{32}$ X 16" $\frac{3}{16}$

SU902 10" $\frac{25}{64}$ X 26" $\frac{1}{2}$

SU903 27" $\frac{9}{16}$ 9" $\frac{15}{16}$ X 25" $\frac{9}{16}$

SU903 35" $\frac{7}{16}$ 9" $\frac{15}{16}$ X 33" $\frac{7}{16}$

SU908 12" $\frac{5}{8}$ X 26" $\frac{2}{2}$

Si vous utilisez un Sch31A ou un Pro Liner, ceux-ci doivent être tenus sous le meuble suspendu et être utilisés comme un gabarit de perçage.

Si vous utilisez un Sch31A ou un Pro Liner pour une application sous le meuble suspendu, ceux-ci doivent être installés maintenant.

Installation d'un SCH31A avec SU900 – SUT900 – SUE900. Placez le Sch31A sous le meuble suspendu et fixez-le avec 4 vis. Assurez-vous qu'il est aligné. Sur la partie antérieure et postérieure du groupe d'alimentation il y a des ressorts de pression (à régler) qui doivent être « accrochées » au côté supérieur dessous la hotte au moment de son positionnement dans la découpe (voir Fig. 3).

Installation SU900 – SUT900 – SUE900 sans SCH31A. Sur la partie antérieure et postérieure du groupe d'alimentation il y a des ressorts de pression (à régler) qui doivent être « accrochées » au côté supérieur du dessous de la hotte au moment de son positionnement dans la découpe (voir Fig. 3).

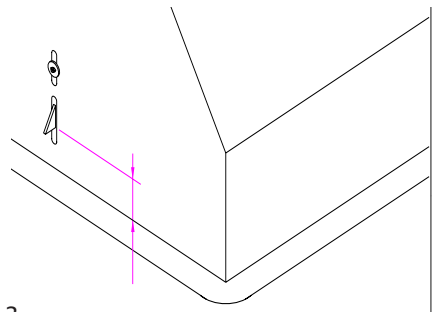


fig. 3

Il y a 4 trous dans le SUT900 pour fixer l'appareil à l'élément en bois (voir Fig. 4).

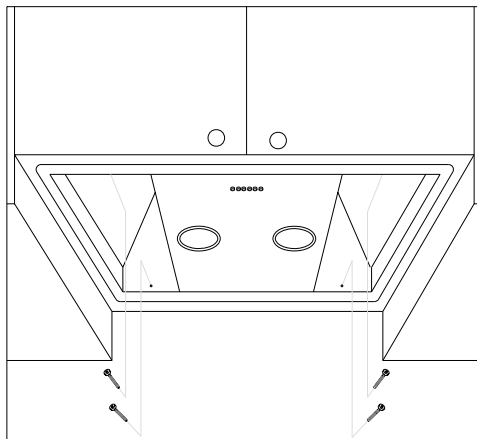
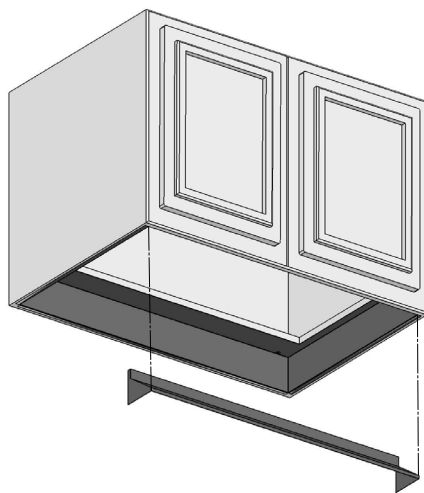


fig. 4

Installez la partie antérieure du Liner selon la profondeur du meuble suspendu (voir Fig. 6).



Installation Pro Liner Réglable avec SU901. Après que vous avez effectué la découpe, installez le Pro Liner réglable et assurez-vous qu'il est aligné avec la découpe du meuble suspendu. Fixez-le avec 4 vis (voir Fig. 5).

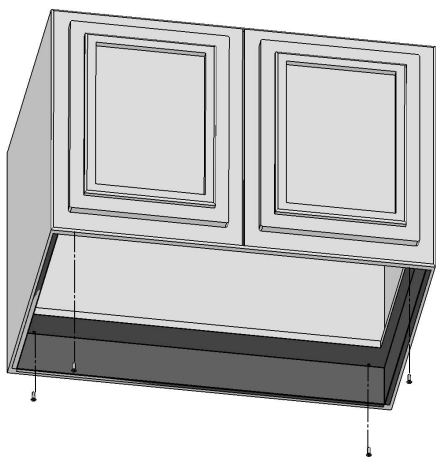


fig. 5

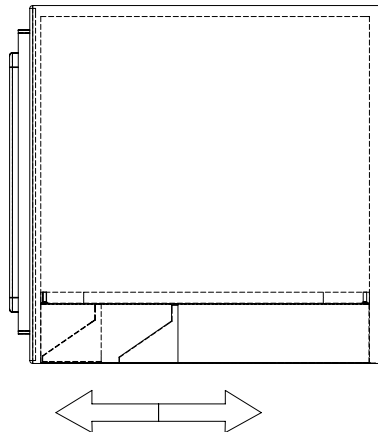


fig. 6

Fixez avec les 3 vis.

Attention: assurez-vous que le meuble à une épaisseur minimale de 0.75" sur les 4 côtés.

Sur la partie antérieure et postérieure du groupe d'alimentation il y a des ressorts de pression (à régler) qui doivent être « accrochées » au côté supérieur du dessous de la hotte au moment de son positionnement dans la découpe (voir Fig. 3).

Installation SU902. Sur la partie antérieure et postérieure du groupe d'alimentation il y a des ressorts de pression (à régler) qui doivent être « accrochées » au côté supérieur du dessous de la hotte au moment de son positionnement dans la découpe (voir Fig. 3).

Installation SU903. Sur la partie antérieure et postérieure du groupe d'alimentation il y a des ressorts de pression (à régler) qui doivent être « accrochées » au côté supérieur du dessous de la hotte au moment de son positionnement dans la découpe (voir Fig. 7-8).

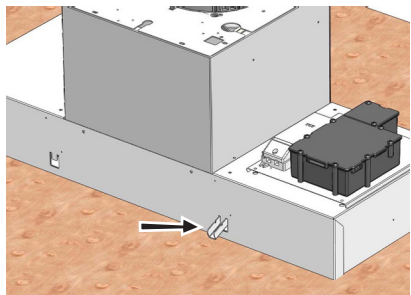
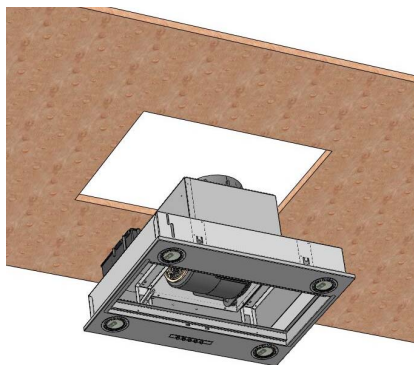


fig. 7-8

Insérez et fixez les 4 leviers de serrage comme décrit dans la figure 9.

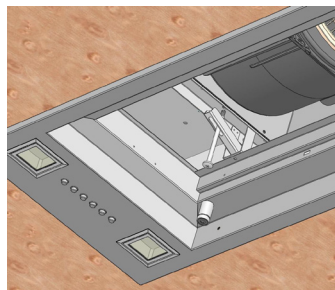


fig. 9

Vissez attentivement afin de maintenir le produit droit.

INSTALLATION SU908

Il y a quatre trous pour vis dans le SU908 pour fixer le produit à la base de la hotte en bois (voir Fig. 4)

Branchement Électrique et Conduit.

Faites référence au paragraphe Alimentation Électrique à la page 2 pour l'endroit où effectuer le branchement.

ATTENTION: Assurez-vous que l'alimentation est coupée. Effectuez le raccordement électrique (voir Fig. 10). Veillez à ce que les volets en plastiques de la sortie des fumées se bougent librement et qu'ils ne sont pas bloqués ou coincés.

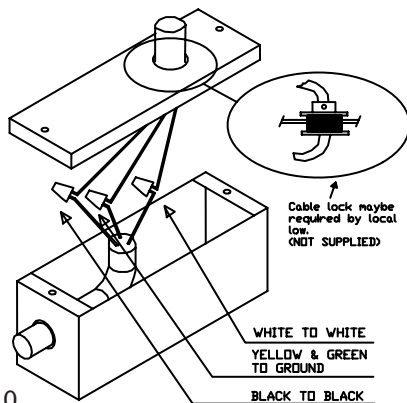


fig. 10

Raccordez le conduit de longueur appropriée à la sortie d'air du ventilateur et puis au conduit qui porte à l'extérieur.

Ne fixez jamais le conduit à la sortie d'évacuation des fumées de la hotte avec des vis - utilisez uniquement du ruban adhésif. Utilisez uniquement du ruban adhésif pour tous les joints.

Mode recyclage.

Si vous utilisez l'appareil en mode recyclage, insérez les filtres à charbon une fois l'installation complétée (voir Fig. 11).

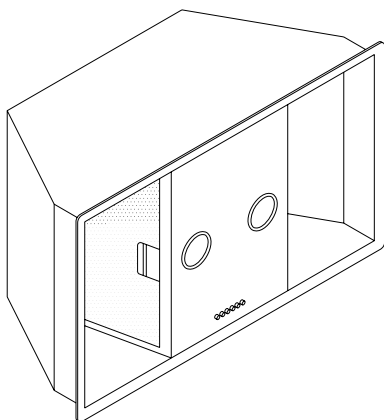


fig. 11

Le filtre à charbon se trouve derrière le filtre à graisse en aluminium. Veillez à ce que les languettes en plastique des filtres sont tournées vers l'extérieur, sinon il sera difficile d'enlever les filtres pour le remplacement.

Reliez un conduit court à la sortie d'évacuation du ventilateur à tous les points d'évacuation.

Ne fixez jamais le conduit à la sortie d'évacuation de la hotte avec des vis, utilisez uniquement du ruban adhésif.

Le ruban adhésif doit être utilisé pour tous les joints.

PROCÉDURES D'UTILISATION

Lisez attentivement toutes les instructions avant de mettre en marche l'appareil. Conservez ces instructions afin de pouvoir les consulter au besoin.

Recommandations Générales.

Assurez-vous que les filtres sont en place. Sans ces filtres, l'appareil peut aspirer vos cheveux, doigts ou vêtements.

Maintenez propre de graisse le ventilateur, les filtres et les surfaces. Mettez **TOUJOURS** en marche la hotte pendant la cuisson. Ne laissez **JAMAIS** des aliments cuire sans surveillance.

Ne jetez **JAMAIS** les cendres de cigarettes, des substances inflammables ou autres objets étrangers dans le ventilateur. Evitez une cuisson qui peut générer des flammes, car la hotte est équipée d'un détecteur thermique qui arrête le moteur à une chaleur excessive.

Lorsque vous faites des fritures, l'huile dans la poêle peut facilement se surchauffer et s'enflammer. Faites chauffer l'huile lentement dans une casserole de taille appropriée (couvrant entièrement le brûleur) réduisant ainsi le risque de la faire déborder et s'enflammer.

Dans le cas où l'huile s'enflamme, observez ce qui suit.

Eteignez la hotte. Eteignez la table de cuisson et étouffez les flammes avec un couvercle hermétique, une tôle à biscuits ou autre plateau métallique. Si les flammes ne s'éteignent pas immédiatement.

SORTEZ ET APPELEZ LES POMPIERS.

Ne ramassez jamais une casserole enflammée - vous pouvez vous brûler.

N'UTILISEZ JAMAIS DE L'EAU, y compris des serviettes ou lavettes mouillées, car une explosion peut se produire.

FONCTIONS

SU900-SU901-SU902-SU903-SU908
(Fig. 12).

- A: Touche lumière ON/OFF
- B: Vitesse ventilateur 1 (réduite) ou OFF
- C: Vitesse ventilateur 2 (moyenne)
- D: Vitesse ventilateur 3 (élevée)
- E: Vitesse ventilateur 4 (intensive)
- F: Minuterie 10 min.

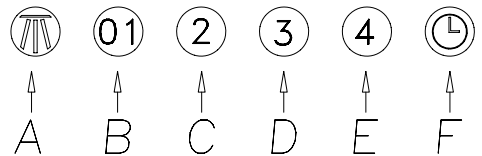


fig. 12

SUE900 (Fig. 13)

- A: Touche lumière ON/OFF
- B: Vitesse ventilateur 1 (réduite) or OFF
- C: Vitesse ventilateur 2 (moyenne)
- D: Vitesse ventilateur 3 (élevée)
- E: Voyant hotte en marche

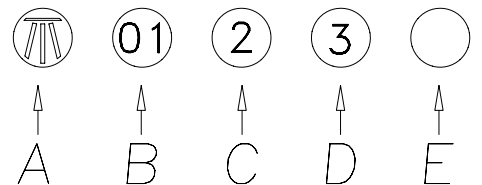


fig. 13

SUT900 (Fig. 14)

Commande à distance

- A: Pour chaque fonction sélectionnée s'allume le Voyant-LED relatif.
- B: Pour augmenter la vitesse.
- C: Pour allumer ou éteindre la lumière.
- D: ON/OFF Pour passer d'une vitesse élevée à une vitesse réduite appuyez deux fois sur la touche ; pour allumer ou éteindre la hotte appuyez une fois sur la touche.
- E: Pour réduire la vitesse.
- F: Pour régler la minuterie.

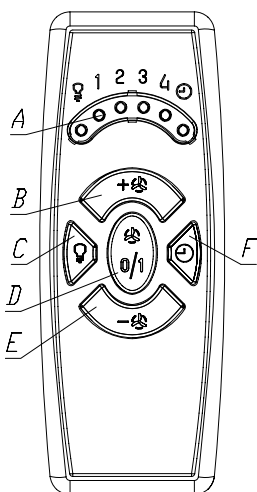


fig. 14

Le voyant-LED sur la droite s'allume (tous les 5 secondes), la hotte fonctionne pour 10 minutes à la vitesse choisie et s'éteint automatiquement. Si la vitesse est augmentée ou réduite pendant que la minuterie est en marche, celle-ci s'éteint automatiquement.

DONNÉES TECHNIQUES:

Alimentation pile alcaline:	12v mod. 23A
Fréquence de fonctionnement:	433.92 Mhz
Combinaisons:	4096
Max. consommation:	25Ma
Température de fonctionnement:	-20° +55°C

Configuration standard.

Si deux systèmes de radiocommande sont installés dans la même pièce ou à proximité, chacun des systèmes peut affecter le fonctionnement de l'autre, en raison du fait qu'ils ont le même code. Par conséquent, il sera nécessaire de modifier le code de l'une des commandes.

Programmer un nouveau code de transmission.

Le fabricant fournit les codes des radiocommandes par défaut. Si vous voulez changer le code, procédez comme suit : appuyez simultanément sur les touches UP, STOP et DOWN pour 2 secondes. Après l'allumage des voyants-LED, appuyez sur les touches UP et DOWN dans les 5 secondes. Les voyants-LED clignotent 3 fois pour indiquer que le processus est terminé.

ATTENTION: Cette procédure efface tous les codes précédemment saisis.

Saisir le nouveau code de transmission.

Après avoir changé le code de transmission de la radiocommande, il faut saisir le nouveau code à la hotte comme suit : appuyez sur la touche Power Off de la hotte, puis rétablissez l'alimentation de l'unité de contrôle électronique. Dans les 15 secondes appuyez sur la touche Lumière. L'unité de commande est synchronisée avec le nouveau code.

Attention : Pour garantir l'optimale portée de l'émetteur, remplacez les piles une fois par an. Pour le remplacement, enlevez le couvercle en plastique, retirez la pile et insérez une nouvelle en observant la correcte polarité. Jetez les piles usagées dans les récipients prévus à cet effet.

Voyant nettoyage filtres : après 30 heures de fonctionnement, tous les voyants clignotent pour vous rappeler que les filtres à graisse doivent être nettoyés. Suivez les indications pour le nettoyage dans cette notice. Une fois nettoyés et remplacés les filtres, réinitialisez en appuyant sur la touche Timer (F). Ne comptez pas uniquement sur cet indicateur. Généralement, les filtres à graisse doivent être nettoyés régulièrement, afin d'éviter toute incendie de graisse.

Allumez la hotte env. 5 minutes avant la cuisson, afin d'établir des courants d'air vers le haut et à travers la hotte. Utilisez les vitesses basses pour une utilisation normale et les vitesses élevées pour les odeurs fortes et les fumées.

ENTRETIEN

Un entretien soigné garantit un bon fonctionnement et un bon rendement dans le temps.

Nettoyage des Filtres.

Les filtres peuvent être lavés à la main (en faisant attention de ne pas les endommager) ou, de préférence, au lave-vaisselle. Selon l'utilisation, les filtres doivent être lavés au moins toutes les deux semaines au lave-vaisselle.

Si votre hotte possède un filtre à charbon, il faut le remplacer au moins tous les 6 mois. Le remplacement du filtre est plus fréquent selon le type et la fréquence des cuissons (aliments gras, fritures, aliments épicés, etc.) – si les odeurs se présentent pendant la cuisson il faut remplacer le filtre à charbon. Nous vous suggérons de garder des filtres de recharge. Vous pouvez les commandés auprès le four-nisseur de votre hotte.

Nettoyage de la Hotte.

Nettoyez l'intérieur de la hotte avec un chiffon propre (pas trop mouillé) et du détergent ordinaire. Les parties en acier inoxydable doivent être nettoyées avec un produit de nettoyage pour acier. Lisez les instructions du fabricant. Généralement on conseille de vaporiser le détergent sur un chiffon propre et de le passer sur les parties en acier inoxydable.

Laissez agir le produit sur la surface pendant quelques minutes, puis nettoyer avec un chiffon.

Sur les surfaces qui sont exposées directement à la chaleur, on conseille de les nettoyer régulièrement pour éviter des taches indélébiles.

N'utilisez jamais un produit abrasif qui peut rayer et endommager l'acier. Les éléments en verre peuvent être nettoyés avec un produit comme le Windex.

Remplacement ampoule. (Dans le doute, appelez le 877-474-8770)

Éteignez la ventilation et la lumière.

Assurez-vous que les ampoules sont froides.
N'enlevez pas tout le dispositif (douille) car sa réinstallation est très difficile.

Vérifiez si l'unité dispose d'un anneau en métal lisse ou dentelé.

Si l'anneau est lisse, enlevez l'anneau bloque-verre avec un poinçon ou autre outil souple, comme un cure-dents (voir Fig. 15).

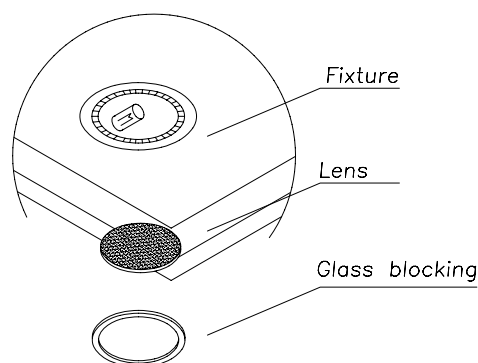


fig. 15

Les outils en acier peuvent rayer la surface.
Veillez à ce que le verre ne tombe pas.

Si l'anneau est dentelé, placez le bout de votre doigt entre le verre et l'anneau. Tournez l'anneau et tirez vers l'extérieure jusqu'à ce qu'il se décroche.

Remplacez l'ampoule. Recherchez toutes les pièces du catalogue ou des fiches techniques dans notre site Web. Nettoyez les deux faces du verre.

Sirius

GARANTIE DE TROIS ANS

IL EST NÉCESSAIRE D'ENREGISTRER EN LIGNE L'ACHAT DE VOTRE PRODUIT AU SITE www.siriuscappe.com/usa/warranty.htm POUR VALIDER LA GARANTIE.

VOUS TROUVEZ LES DONNÉES DE VOTRE HOTTE SUR L'ÉTIQUETTE À L'INTÉRIEUR DE LA HOTTE. POUR LA LIRE, RETIREZ SIMPLEMENT LE FILTRE A GRAISSE.

SERVICE DE GARANTIE

Pour bénéficier du service de garantie, informez le Service Après Vente Sirius à l'adresse e-mail ci-dessous ou appelez le numéro gratuit USA 1-877-474-8770 et fournissez le code du produit, la description du vice ou du défaut et la date d'achat du produit. Sirius se réserve le droit de demander une preuve d'achat. Sirius, à sa propre discrétion, remplacera les produits endommagés pendant le transport, à condition que le dommage dû au transport est signalé comme susmentionné, c'est-à-dire **DANS LES 5 JOURS DE TRAVAIL APRÈS RÉCEPTION** du produit ou des produits expédiés.

GARANTIE D'UN AN POUR LE SERVICE DE RÉPARATION:

Pendant la première année dès la date d'achat de votre produit, Sirius, à sa discrétion, réparera ou remplacera gratuitement tout produit ou pièce qui s'avère défectueux dans des conditions normales d'utilisation et d'entretien.

TROIS ANS DE GARANTIE POUR LES PIÈCES DE RECHANGE:

Pour les trois années suivant la date d'achat de votre produit, Sirius fournira gratuitement les pièces de rechange non-consommables qui s'avère défectueuses dans des conditions normales d'utilisation et d'entretien.

QUI EST COUVERT PAR LA GARANTIE:

Sirius Range Hoods garantit à l'acheteur original que tous ses produits commerciaux sont libres de tout défaut de matériel et de fabrication, pour la durée de trois ans à partir de la date d'achat. Il n'existe aucune autre garantie, expresse ou tacite, y compris mais sans s'y limiter, aucune garantie de qualité commerciale ou d'adaptation à une utilisation particulière.

QU'EST-CE QUI N'EST PAS COUVERT PAR LA GARANTIE:

Cette garantie ne couvre pas les filtres, lampes, batteries, tuyaux et composants du conduit. Cette garantie ne couvre pas l'entretien normal et le service après-vente technique standard, produits ou pièces endommagées résultant d'une mauvaise utilisation, acte de négligence, accident, entretien ou réparation impropre, installation erronée ou installation contraire aux instructions d'installation recommandées. La garantie sur les pièces/écrans en verre est limitée uniquement aux vices de fabrication et exclut expressément toute rayure ou rupture résultant d'une mauvaise utilisation. Les frais de la main-d'œuvre et ceux qui sont directement associés au démontage et au remontage sont expressément exclus. La durée de toute garantie implicite est limitée à trois ans, ainsi que spécifié par la garantie explicite.

Certains états et certaines provinces ne permettent pas de limitations quant à la durée d'une garantie implicite, par conséquent les limitations ci-dessus peuvent ne pas s'appliquer à vous.

Sirius S.P.A.

Zona industriale Berbentina 6/A
60041 SASSOFERRATO (AN) - ITALY

Inscrivez-vous en ligne ! **HYPERLINK** "<http://www.siriuscappe.com/usa/warranty.htm>"
www.siriuscappe.com/usa/warranty.htm