

tallman

Patent pending

Pull down closet rods

Double models
TAW-1200/G
TAW-1200/U



Installation Guide

Thank you for purchasing tallman.

Please read these instructions before installation and use.

Retain this booklet for future reference.



Table of Contents

Inside your package

Precautions

Installation

Caring for your tallman

Measurements of parts

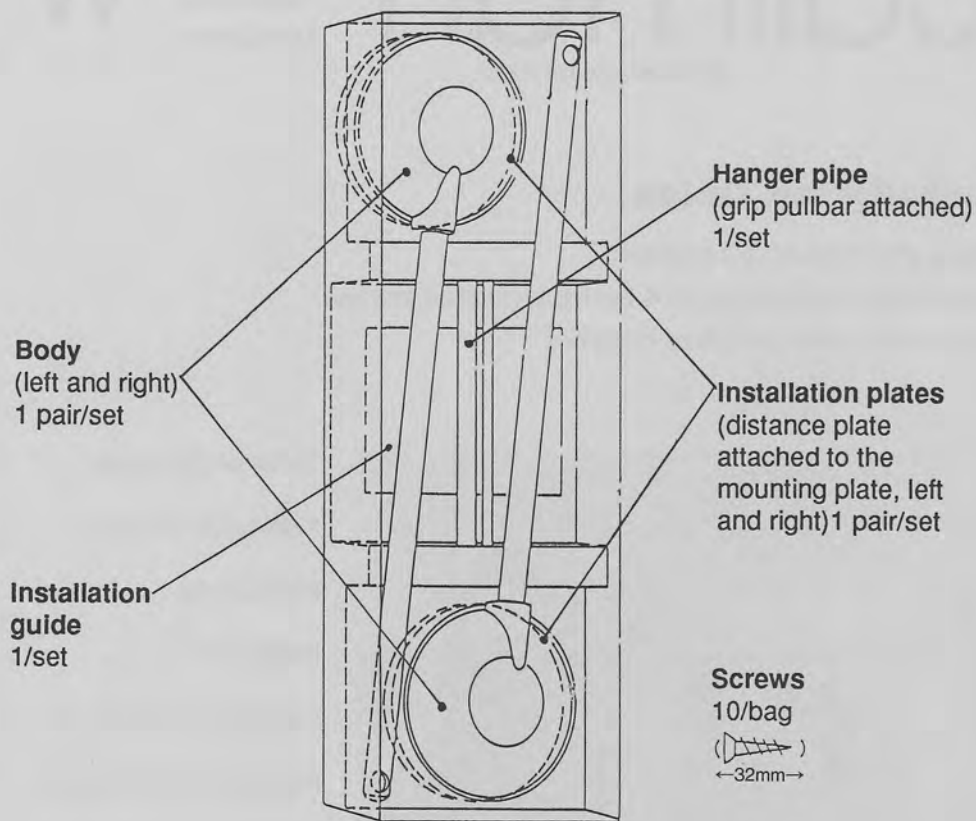
The Tallman series

Option Parts

■ ■
SUGATSUNE
■ ■

SUGATSUNE KOGYO CO. LTD.

Inside your package

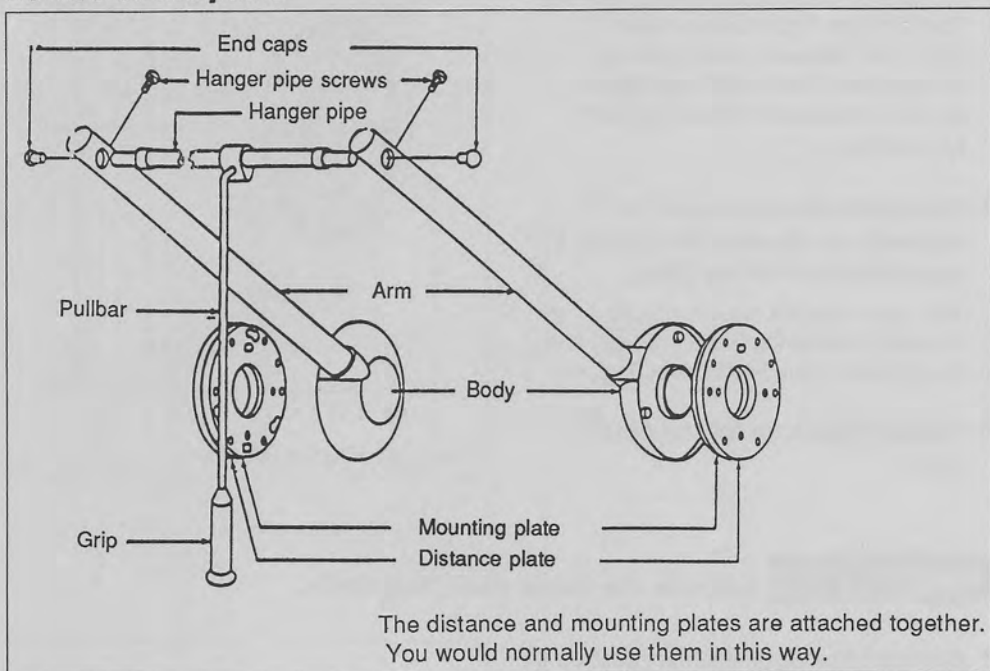


Precautions

- To avoid damage and/or injury, **do not disassemble the body** of tallman.
- Be sure the wall or panel you are attaching to is of hard wood or other strong materials.
- Please check the contents, firstly, to see if you received the correct side, right or left hand, and model you ordered.

Installation

Names of the parts

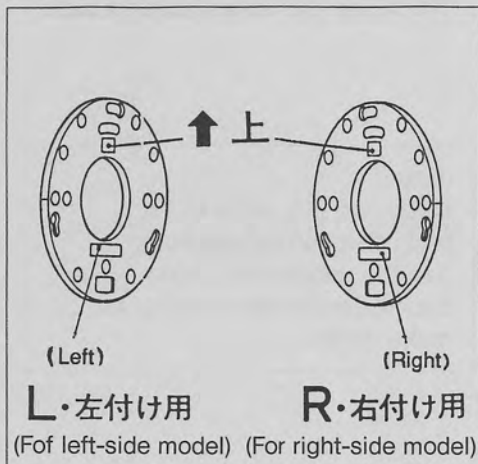


Step 1

Secure the installation plates on the side walls or panels.

- 1 Confirm the right and left sides by finding the respective stickers.
- 2 Make sure the "up" sticker is on top.

Make sure the wall or panel you are attaching to is of hard wood or other strong materials.



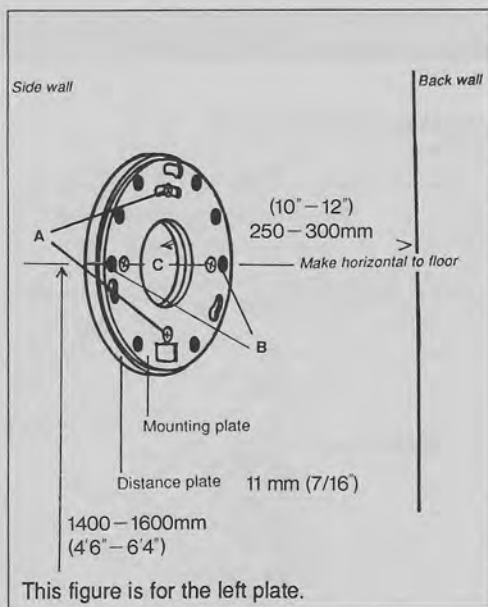
3 Screw in the two screws (A) lightly, and make holes (B) horizontal. Then tighten the screws.

Suggested distances: from the back wall 250-300 mm, from the floor 1400-1600 mm. However, determine the appropriate distances for you based on your space and the item you will be hanging.

4 Drill holes for the remaining 8 screws and fasten them tightly to secure the mounting plate.

You can make the mounting plate 11 mm thinner by removing the screws (C) and the distance plate before securing.

5 Repeat the same for the other side.



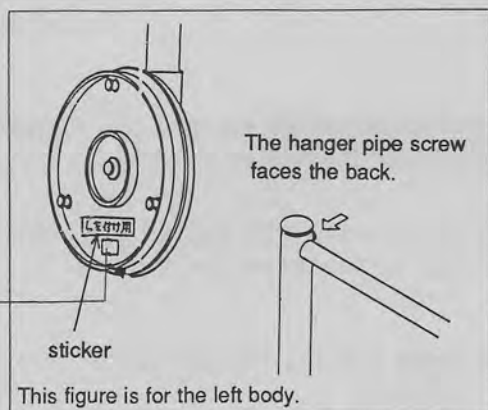
Step 2

Secure the body onto the plate.

1 Confirm the right and left pieces of the body.

The left side (shown in the figure) will have a "left" sticker; likewise for the right side.

The hanger pipe screw faces the back.

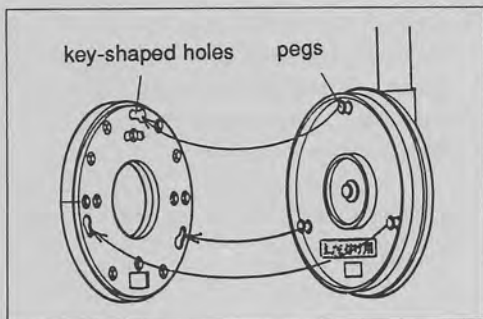


(Note)

If you find this white block protruded **before installing**, turn the underneath screw counterclockwise to adjust to make it even.

- 2 Insert the three fastening pegs of the body into the keyhole-shaped holes of the mounting plate.

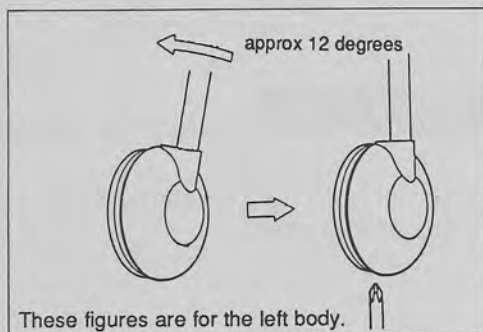
The body will be 12 degrees slanted backwards.



- 3 Rotate the arm forward, using the center of the body as the pivot, so that the arm will be in a vertical position.

- 4 Turn the screw clockwise that is located underneath. This will secure the body onto the plate.

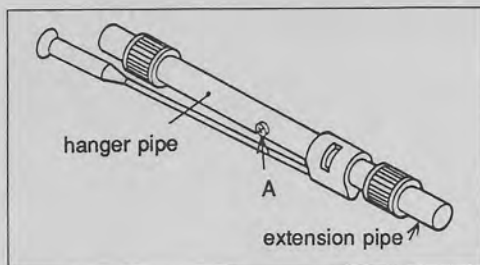
- 5 Repeat the same for the other side.



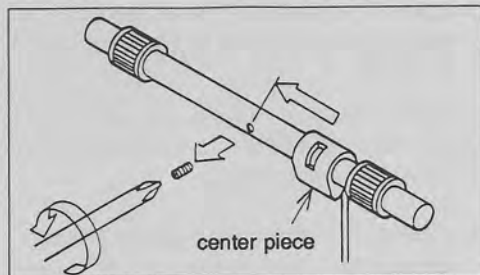
Step 3

Position the pullbar on the hanger pipe.

- 1 Undo the center screw (A) on the hanger pipe. This will be used later on.

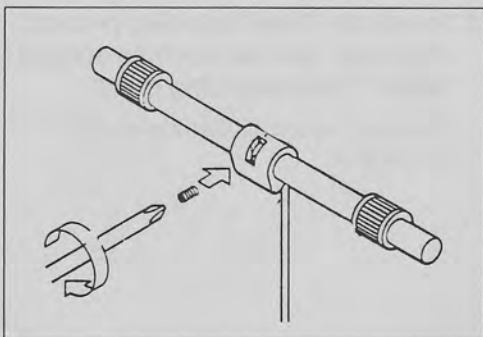


- 2 Slide the center piece over to the middle of the pipe. You should be able to see the hole for screw (A) through its slot.



- 3 Fasten screw (A) into the hole through the slot of the center piece. Afterwards, make sure that the center piece rotates 360 degrees.**

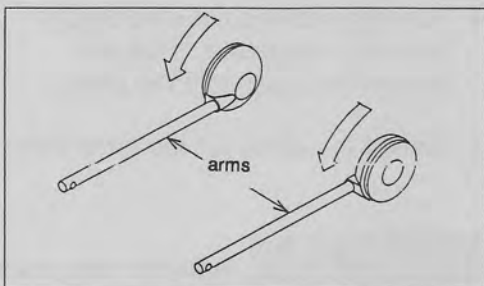
The illustrations for 1-3 are views from the backside.



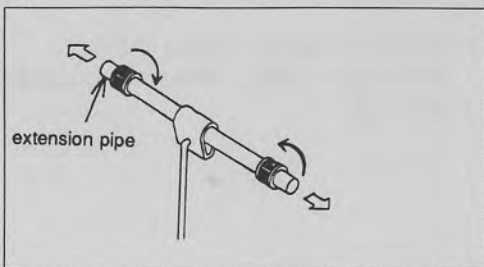
Step 4

Install the hanger pipe to the arm.

- 1 Lower both right and left arms to the lowest position.**



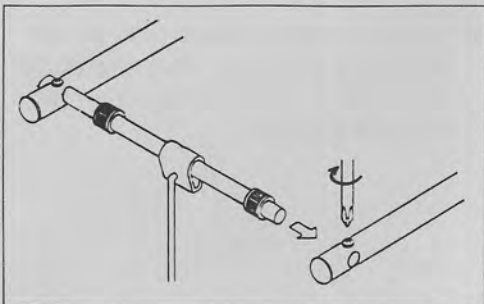
- 2 Loosen the knobs to pull out the extension pipe.**



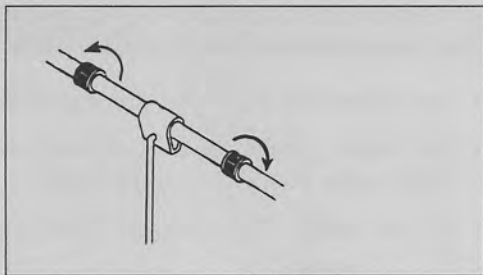
- 3 Insert the ends of the extension pipe into the holes at the end of the arm.**

If the hanger pipe screws are protruding into the holes of the arm, loosen them to allow the pipe to enter.

- 4 Fasten the extension pipes to the arms with the hanger pipe screws.**



5 Tighten the knobs to secure the pipes.

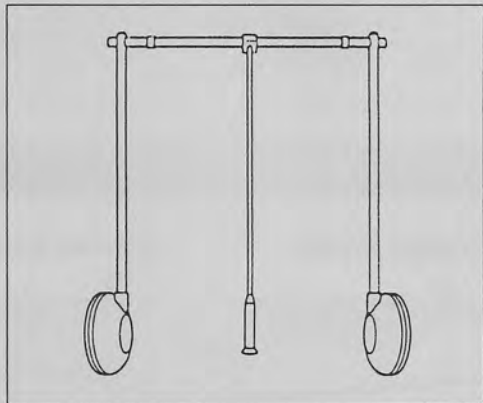


Finished view

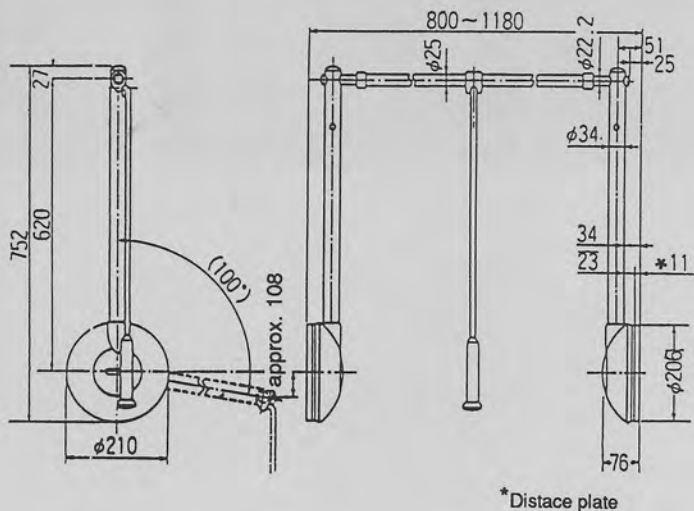
Use the pullbar to operate tallman.

Pushing the upper part of the arm (not the hanger pipe) back up may make it easy to return tallman to its upright position.

Do not push the end of the hanger pipe (by the top cap).



Measurements of parts



Caring for your tallman

- For cleaning the exterior, use a soft cloth.
- For further cleaning, wet cloth with mild detergent and warm water. Then, wipe over with a damp cloth.
- Do not use the following on tallman:
 - thinner
 - benzine
 - cleansing powder
 - scouring brush
 - bleach, etc.

The tallman series

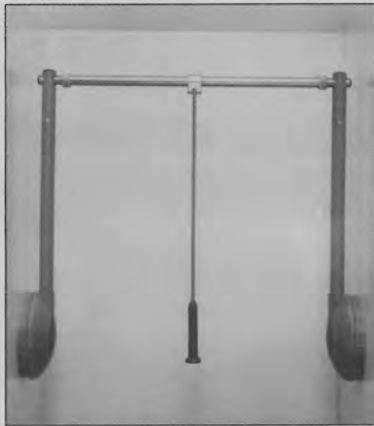
Single model

TAS



Double model

TAW



T-model

TAT & TAB(option)



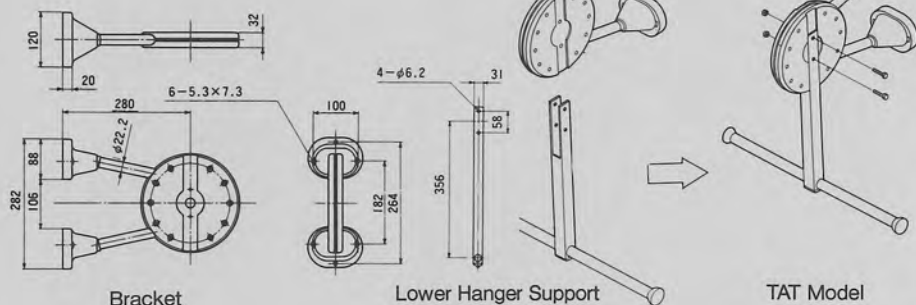
OPTION PARTS :

BRACKET : TAB/G
TAB/U

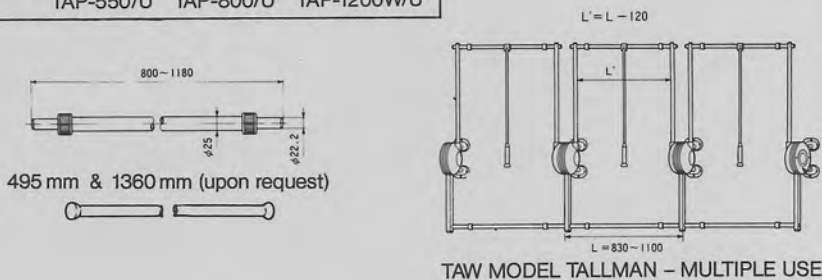
LOWER HANGER SUPPORT :TAH/G
TAH/U

(1) Bracket

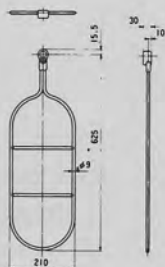
(2) screw to fix



HANGER PIPE : TAP-550/G TAP-800/G TAP-1200W/G
TAP-550/U TAP-800/U TAP-1200W/U



SIDE GUARD : TAG/G
TAG/U



Supplied with 2
slip-stopper
rings.

