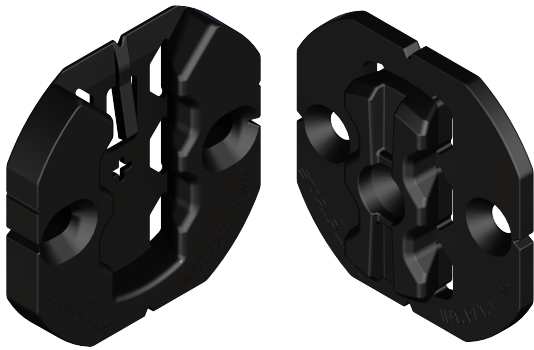




Engineered to Innovate

Brochure Pack

US Version



Clip 50

Striplox
2/30 Walker Street,
Tennyson Brisbane QLD 4105,
Australia
+61 7 3392 6172
striplox@joinlox.com

joinlox.com/striplox

Striplox™ Clip 50 Invisible Fixing Solution

The Striplox Clip 50 invisible fixing solution is designed for fixing furniture, panels, cabinetry and interior fittings to most structures, from smaller scaled projects up to larger commercial/architectural projects. This versatile yet strong connecting system can be used in the tightest of places, and is quick and easy to use both in commercial and domestic applications.

Striplox connecting systems making assembly simple.

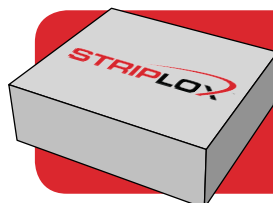
Striplox Clip 50 connectors offer many advantages with easy lock up on a less than perfectly square wall. With its unique locking key system and with the key portion able to swivel, easy alignment can be achieved everytime. The versatility of installing the Striplox Clip 50 either vertically or horizontally, surface mounted or rebated for a flush finish offers significant advantages in numerous applications. Having the added advantage of permanent or reusable assembly, the Clip 50 means you can easily integrate Striplox into your products and process using existing methods for a perfectly tight join everytime.

Benefits

- No visible fixings
- Eliminates damage – install panels during final build
- Lower transportation cost – flat pack
- Lower labour costs on site assembly
- Designed using the internationally recognised 32 system
- Strength, Durability and Versatility
- Easy assembly with swiveling lock Key
- No tools or trade skills required for assembly
- Cabinetry or panels can be fitted permanently or removed and re-used with ease
- Striplox Clip 50 can be configured in many different ways to best suit your application, surface mount or rebate mount and orientated for vertical or horizontal assembly
- Variety of mounting options glue and or screw fix

Applications

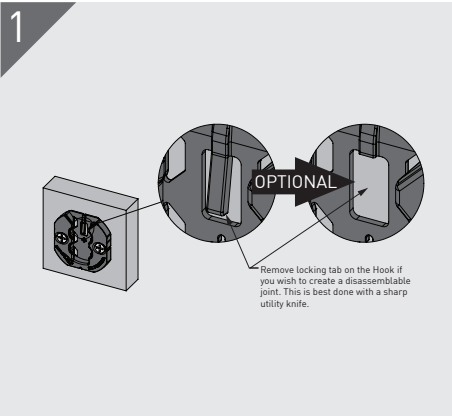
- Walls, cabinetry, feature panels or commercial panelling
- Installation of decor frames
- Enhanced performance of acoustic paneling
- Interior fittings
- Furniture construction
- Shop fitting displays and signage
- Exhibition and trade events
- DIY garden shed and Patio
- RV and Marine fitouts



Get your Striplox Sample Kit!

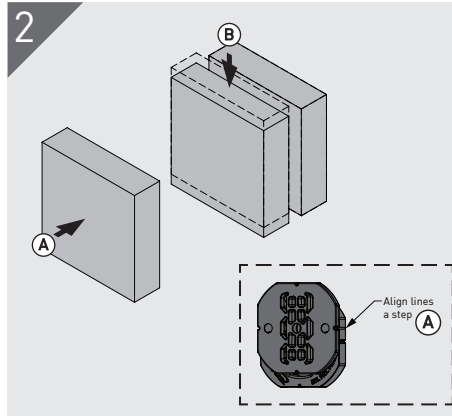
Contact your local distributor or request a Sample Kit from joinlox.com/striplox or call 1800 JOINLOX.

How it works



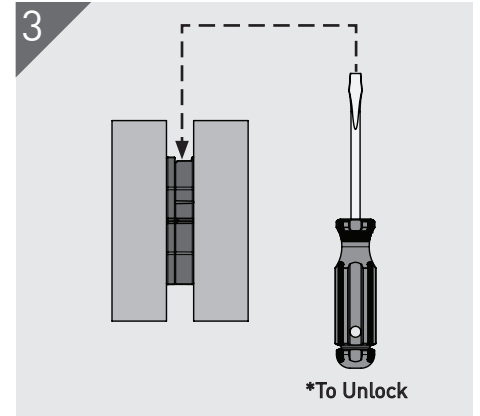
Installation

Attach both components of the Clip 50 to the desired substrates.
Remove locking tab if required.



Assembly

Both components of the Clip 50 first align and slide to lock into place. Due to the unique design, the components only need to travel one pitch for full engagement.



Completion

Complete the installation according to the desired application.

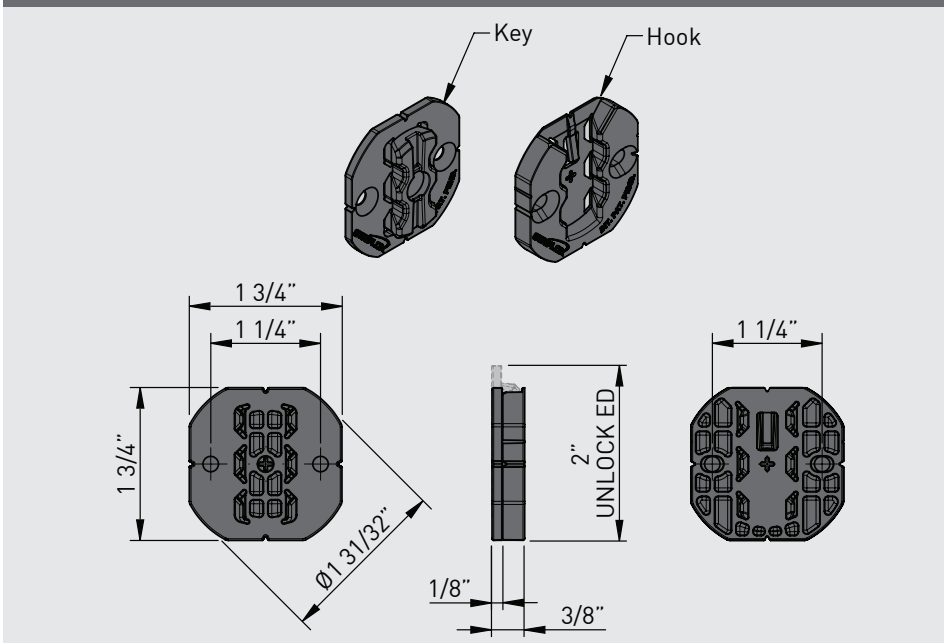
To unlock insert a small screwdriver to release locking tab.

Specifications

Material: High Strength Reinforced Nylon Colour: Black Fixing: 8G Screws (5x) or Glue *Ensure sufficient screw embedment in substrate. *Tested using Particle Board and fixed with screws.	Direction	Indic. Load Capacity
	A	209 kg
	B	209 kg
	C	275 kg

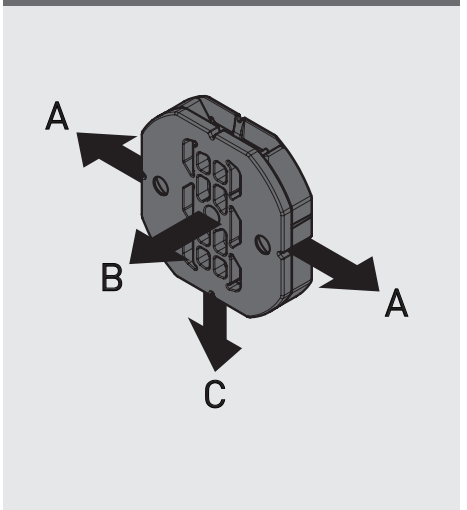
- Refer to Mounting Data Sheet for full dimensions
- Refer to Installation Guide

Dimensions



Visit the Striplox website for more information

Load Direction

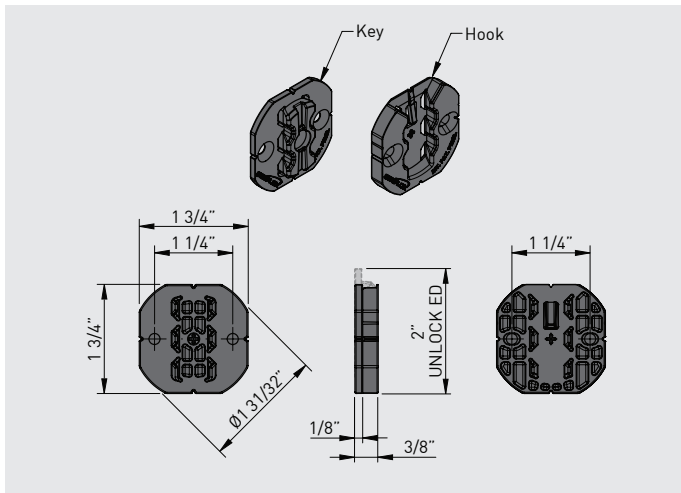


Striplox
2/30 Walker Street,
Tennyson Brisbane QLD 4105,
Australia
+61 7 3392 6172
striplox@joinlox.com

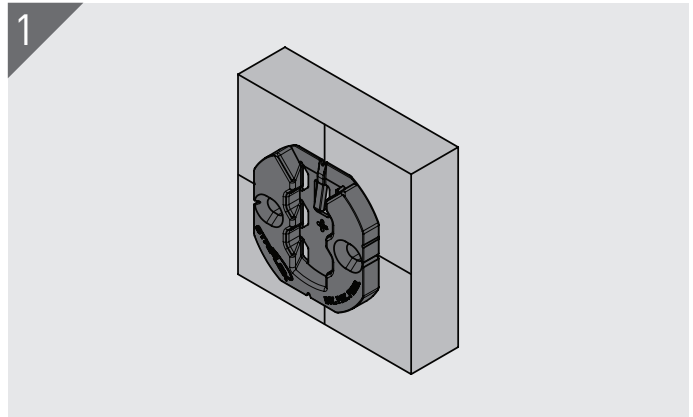
Proudly Australian Designed, Owned and Manufactured



joinlox.com/striplox

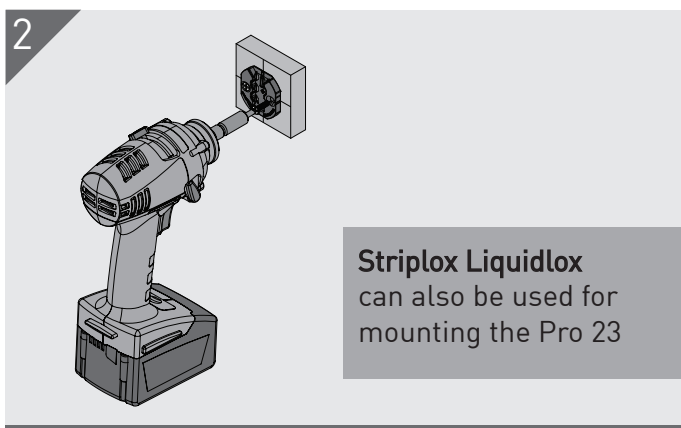


Flush Mounting



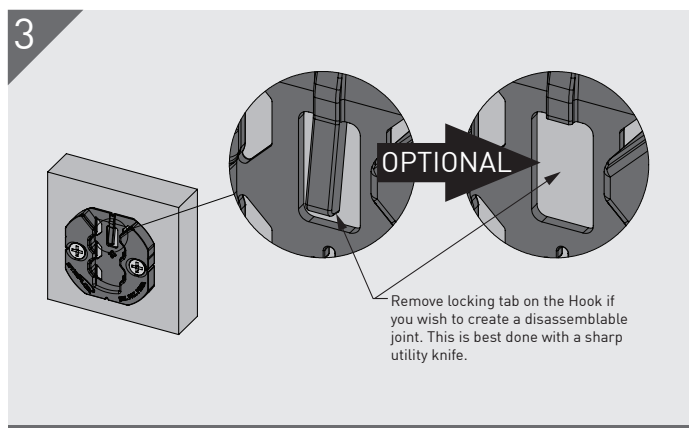
Mark center lines, vertical and horizontal, on both substrates. Flush mounting requires no additional preparation. Line the notches in each component (Hook shown here) with the center lines. **Mark-Out Template** can also be used.

Material	High Strength Reinforced Nylon
Colour	Black
Fixing Method	8G Screws (5x) or Glue



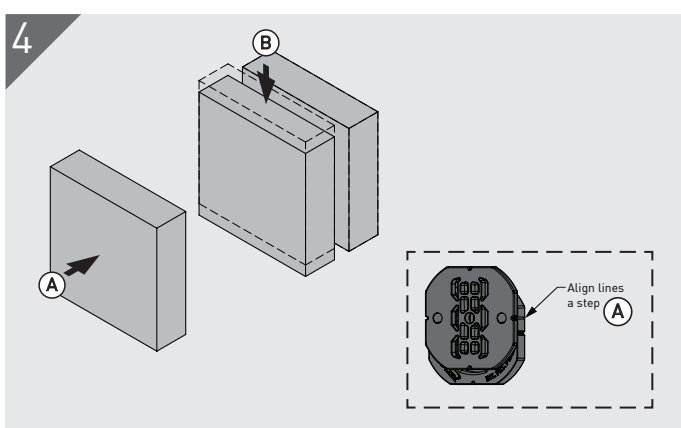
Striplox Liquidlox can also be used for mounting the Pro 23

Hold the component in place and fasten to the substrate with 8G screws. Repeat for matching component. Ensure sufficient screw embedment in substrate.

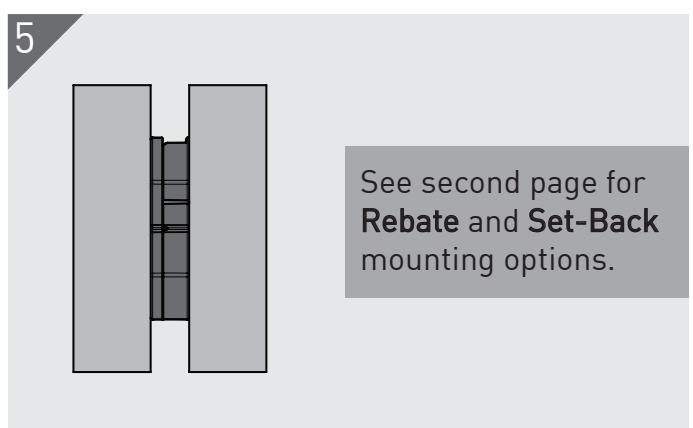


Remove locking tab on the Hook if you wish to create a disassemblable joint. This is best done with a sharp utility knife.

Prior to assembly, establish whether the joint is to be permanent or disassemblable.



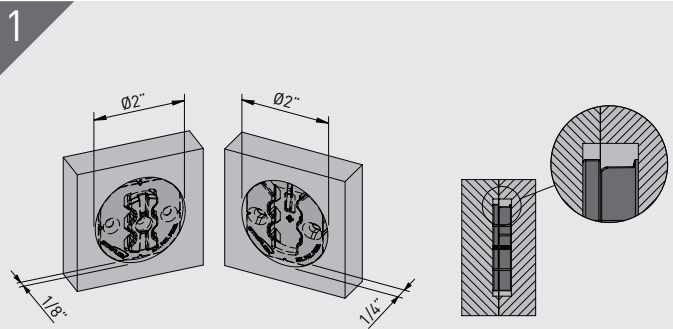
Assemble the joint remembering the Clip 50 only needs to travel 1 pitch for full engagement. Alignment lines are deigned into the parts to help with assembly.



See second page for **Rebate** and **Set-Back** mounting options.

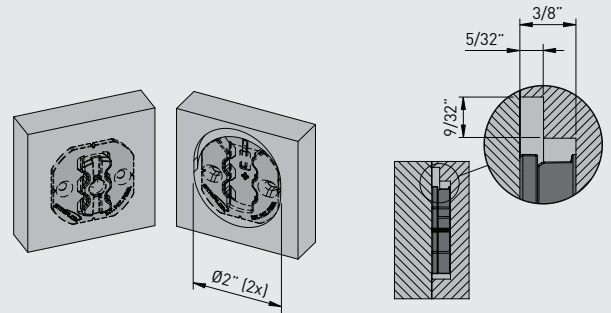
When assembled, the substrates will be separated by the thickness of the engaged Clip 50.

Rebate Mounting



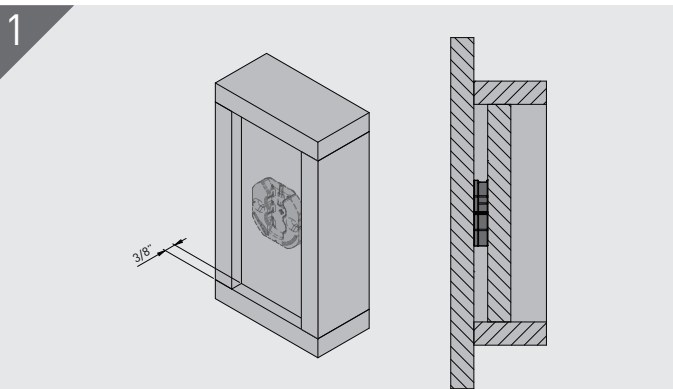
Part Rebate - each substrate mounting face is rebating as shown. Ensure sufficient screw embedment in substrate.

2



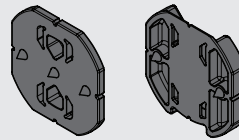
Full Rebate - 1 of the substrate mounting faces is rebating the full depth as shown. Ensure sufficient screw embedment in substrate.

Set-Back Mounting



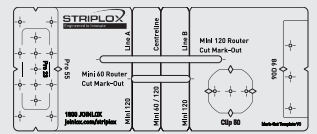
Setting back the mounting face of either the Hook (as shown) or Key by 9.5mm results in a concealed joint without the need to cut rebates.

Installation Aids



Striplox Clip 50 Jig

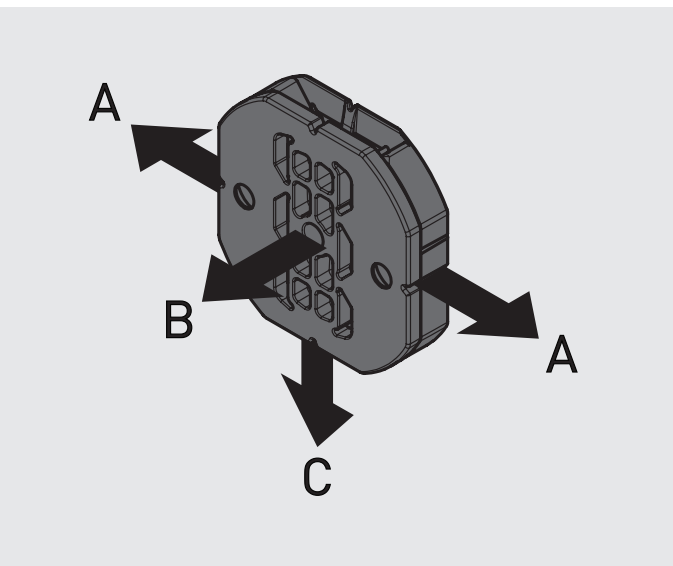
Designed to be used in conjunction with either the Clip 50 Key or Hook to mark screw locations in a wide variety of substrates.



Striplox Mark-Out Template

Developed to aid in the installation of the Striplox Pro 23, Pro 55, 90D 98, Clip 50, Mini 60 and 120.

Load Capacity



Direction	Indic. Load Capacity
A	209 lb
B	209 lb
C	275 lb

- Tested using particle board and fixed with screws.
- Ensure sufficient screw embedment in substrate.

Striplox Clip 50

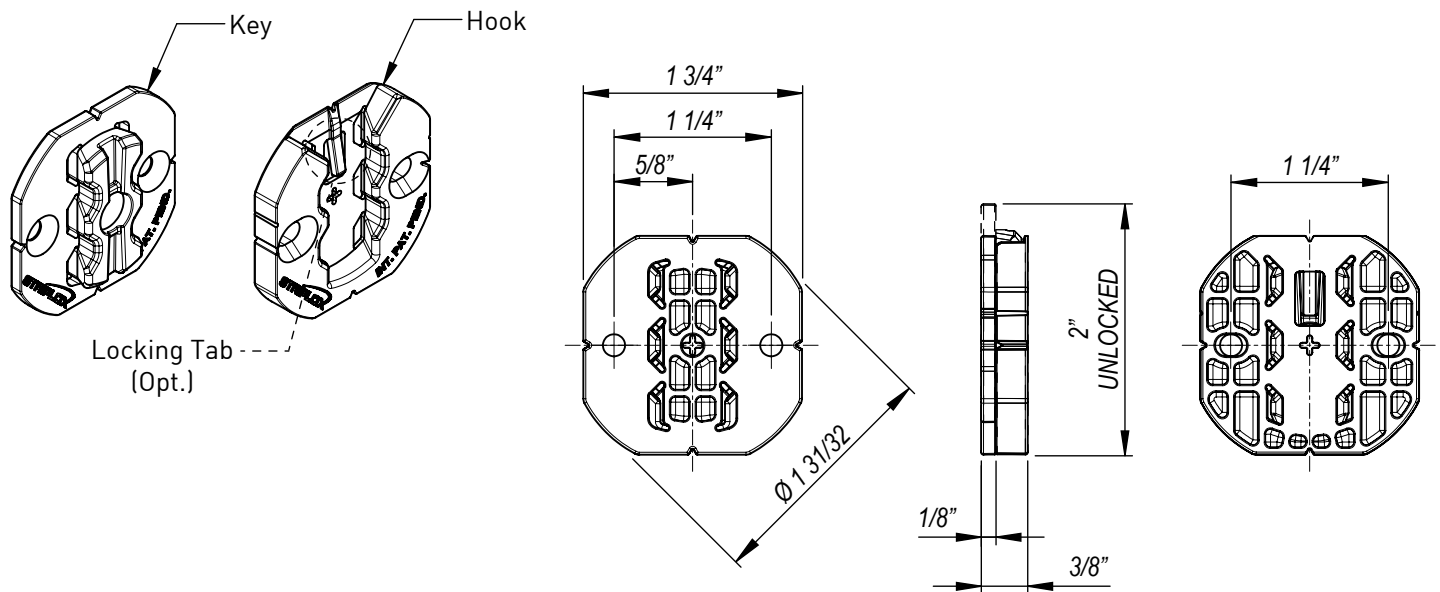
Rapid Assembly Systems



Mounting Data Sheet - US Version

All dimension in inches

General Dimensions



Material	High Strength Reinforced Nylon
Colour	Black
Fixing Method	8g Screws or Glue

*Ensure sufficient screw embedment in substrate.

Mounting Dimensions

