



Engineered to Innovate

Brochure Pack

US Version



Pro 55

Striplox
2/30 Walker Street,
Tennyson Brisbane QLD 4105,
Australia
+61 7 3392 6172
striplox@joinlox.com

joinlox.com/striplox



Striplox™ Pro 55

Makes concealed joints easy

The secret to Striplox is the unique award winning design, internationally patented secure fastening system suitable for a wide variety of substrates. Using Striplox designers, installers and manufacturers are able to re-think assembly processes.

Designed for panels, frames or components this hidden mounting system delivers a flawless finish with perfect alignment every time.

Striplox Pro 55 makes joining faster and simpler. Strength and durability due to its unique design transferring load capacities evenly over the entire product. Striplox is perfect for many applications/designs and are only limited by your imagination. Striplox Pro 55 is perfect for your panels, frames and cabinetry, and can be removed and refitted time after time.



Benefits

- No visible fixings
- Eliminates damage – install panels during final build
- Lower transportation cost – flat pack
- Lower labour costs on site assembly
- Designed using the internationally recognised 32 system
- Strength, Durability and Versatility
- No tools or trade skills required for assembly
- Cabinetry or panels can be fitted permanently or removed and re-used with ease
- Striplox Pro 55 can be configured in many different ways to best suit your application, surface mount or rebate mount and orientated for vertical or horizontal assembly
- Variety of mounting options glue and or screw fix

Applications

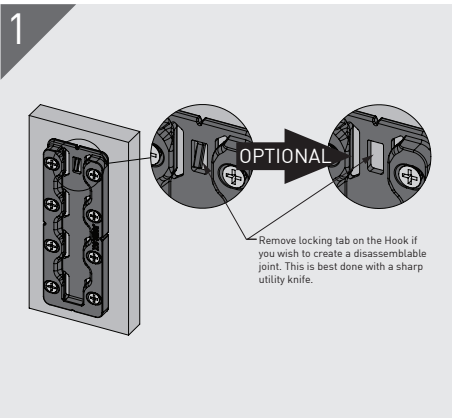
- Ceilings, walls, cabinetry, feature panels
- Commercial wall panelling and office partitioning
- Enhanced performance of acoustic panelling
- Floating shelves
- Furniture construction and interior fitting
- Shop fitting displays and signage
- Exhibition and trade events
- DIY garden shed and Patio
- RV and Marine fitouts



Get your Striplox Sample Kit!

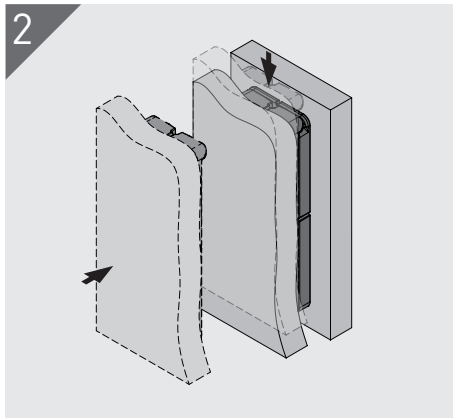
Contact your local distributor or request a Sample Kit from joinlox.com/striplox or call 1800 JOINLOX.

How it works



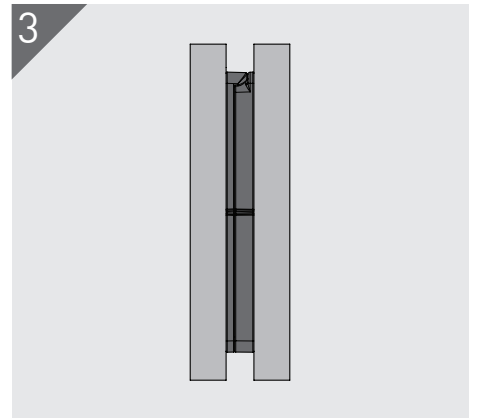
Installation

Attach both components of the Pro 55 to the desired substrates.
Remove locking tab if required.



Assembly

Both components of Pro 55 self align and slide to lock into place. Due to the unique design, the components only need to travel one pitch for full engagement.



Completion

Complete the installation according to the desired application.

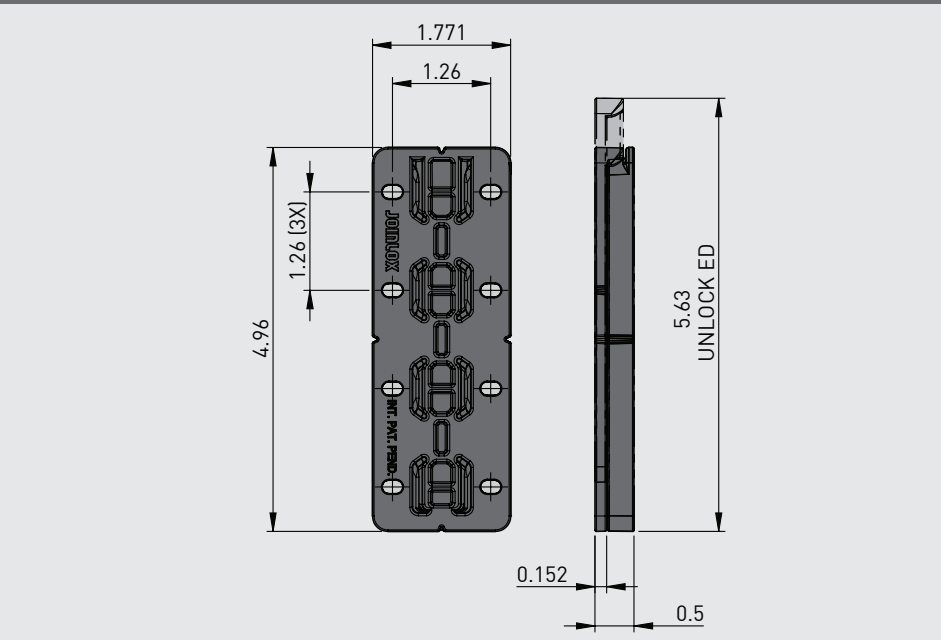
To unlock insert a small screwdriver to release locking tab.

Specifications

| | | |
|---|------------------|-----------------------------|
| Material: High Strength Reinforced Nylon Colour: Black Fixing: 8G Screws (8x) or Glue *Ensure sufficient screw embedment in substrate. *Tested using Particle Board and fixed with screws. | Direction | Indic. Load Capacity |
| | A | 440 lb |
| | B | 233 lb |
| | C | 440 lb |

- Refer to Mounting Data Sheet for full dimensions
- Refer to Installation Guide

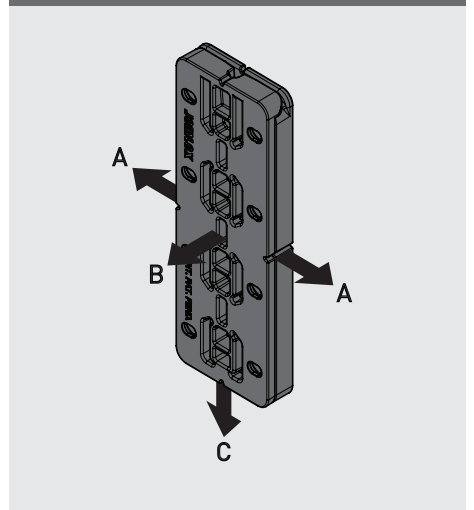
Dimensions



Visit the Striplox website for more information



Load Direction

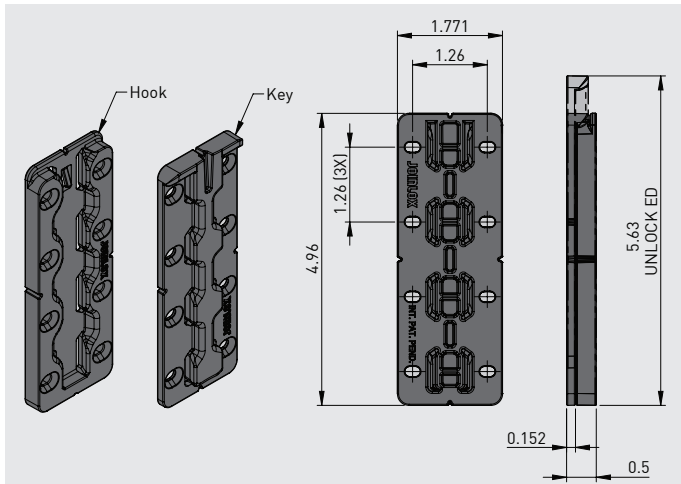


Striplox
2/30 Walker Street,
Tennyson Brisbane QLD 4105,
Australia
+61 7 3392 6172
striplox@joinlox.com

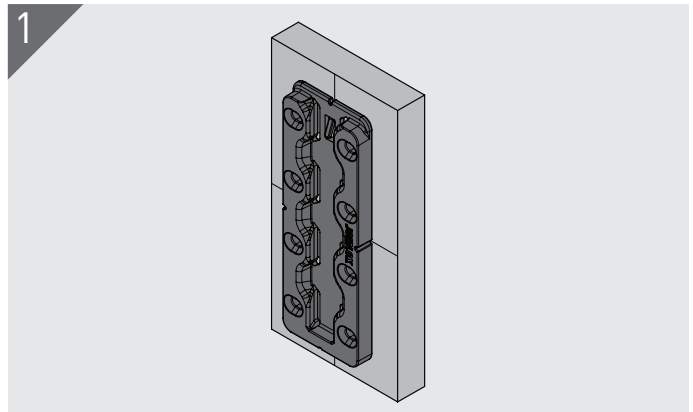
Proudly Australian Designed, Owned and Manufactured



joinlox.com/striplox

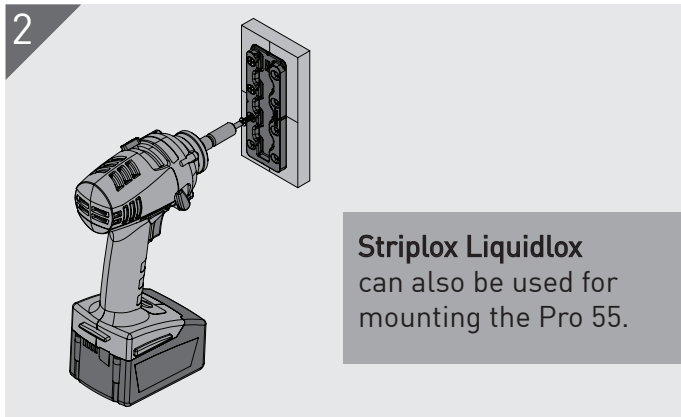


Flush Mounting



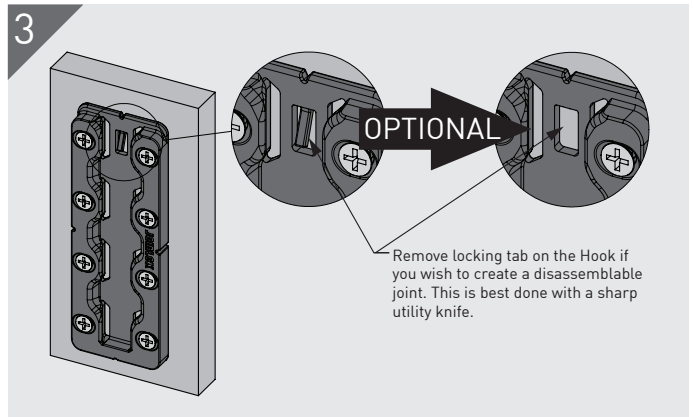
Mark center lines, vertical and horizontal, on both substrates. Flush mounting requires no additional preparation. Line the notches in each component (Hook shown here) with the center lines. **Mark-Out Template** can also be used.

| | |
|---------------|--------------------------------|
| Material | High Strength Reinforced Nylon |
| Colour | Black |
| Fixing Method | 8G Screws (8x) or Glue |



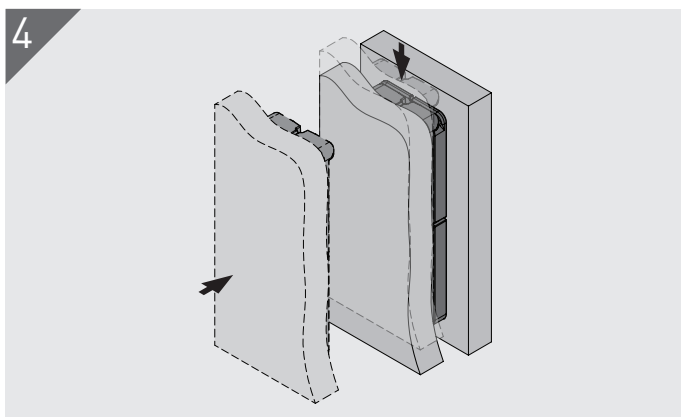
Striplox Liquidlox can also be used for mounting the Pro 55.

Hold the component in place and fasten to the substrate with 8 x 8G screws. Repeat for matching component. Ensure sufficient screw embedment in substrate.

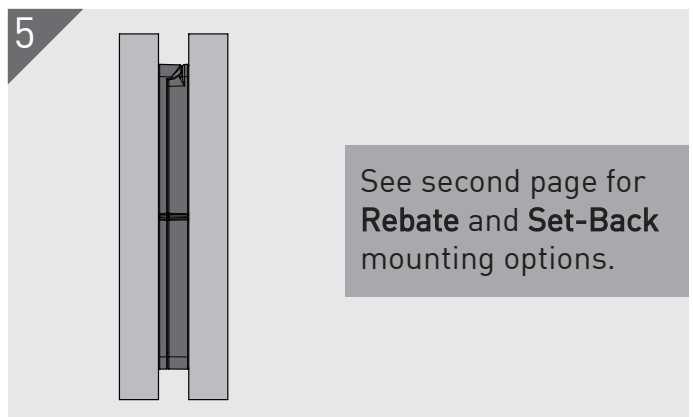


Remove locking tab on the Hook if you wish to create a disassemblable joint. This is best done with a sharp utility knife.

Prior to assembly, establish whether the joint is to be permanent or disassemblable.



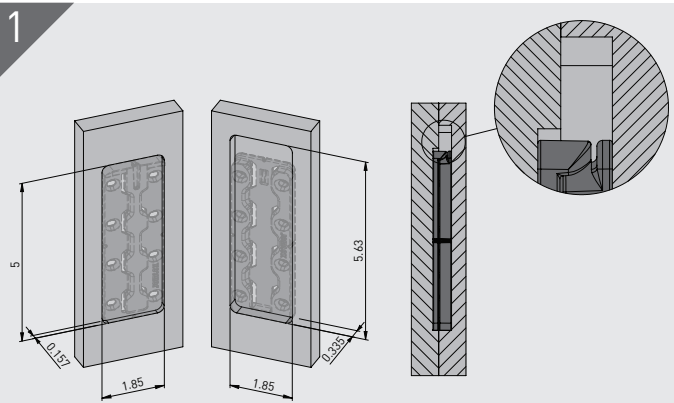
Assemble the joint remembering the Pro 55 only needs to travel 1 pitch for full engagement.



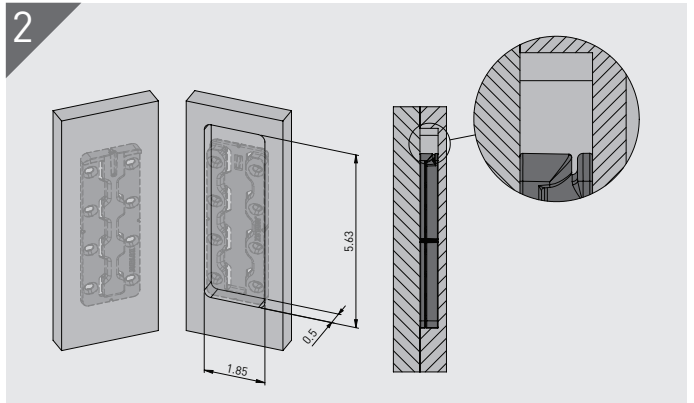
See second page for **Rebate** and **Set-Back** mounting options.

When assembled, the substrates will be separated by the thickness of the engaged Pro 55.

Rebate Mounting

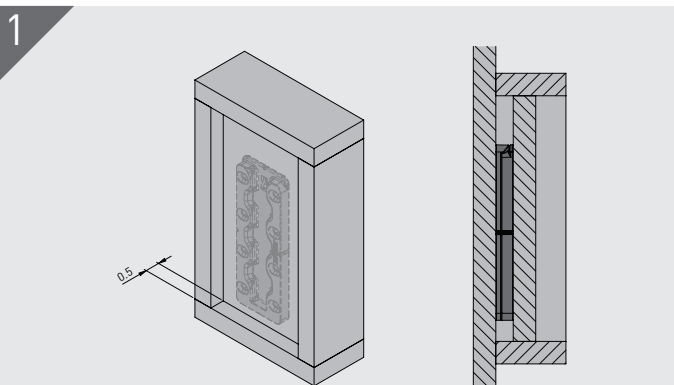


Part Rebate - each substrate mounting face is rebating as shown. Ensure sufficient screw embedment in substrate.



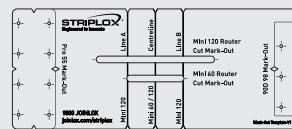
Full Rebate - 1 of the substrate mounting faces is rebating the full depth as shown. Ensure sufficient screw embedment in substrate.

Set-Back Mounting



Setting back the mounting face of either the Hook (as shown) or Key by 0.5" results in a concealed joint without the need to cut rebates.

Installation Aids



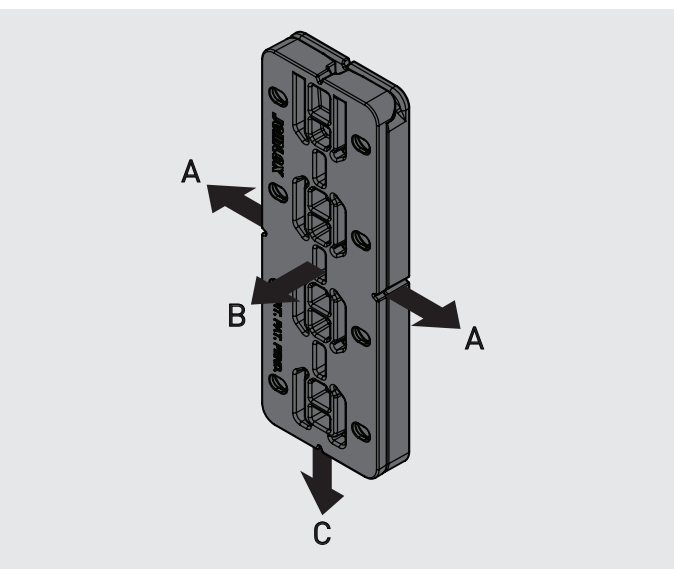
Striplox Mark-Out Template
Developed to aid in the installation of the Striplox Pro 55, 90D 98, Mini 60 and 120.



Striplox Liquidlox
Instant adhesive with a 15 second cure time. Liquidlox delivers a strong and reliable connection between Striplox products and most substrates.

Visit joinlox.com/striplox or call 1800 JOINLOX to find out more about these installation aids.

Load Capacity



| Direction | Indic. Load Capacity |
|-----------|----------------------|
| A | 440 lb |
| B | 233 lb |
| C | 440 lb |

- Tested using particle board and fixed with screws.
- Ensure sufficient screw embedment in substrate.

Striplox Pro 55

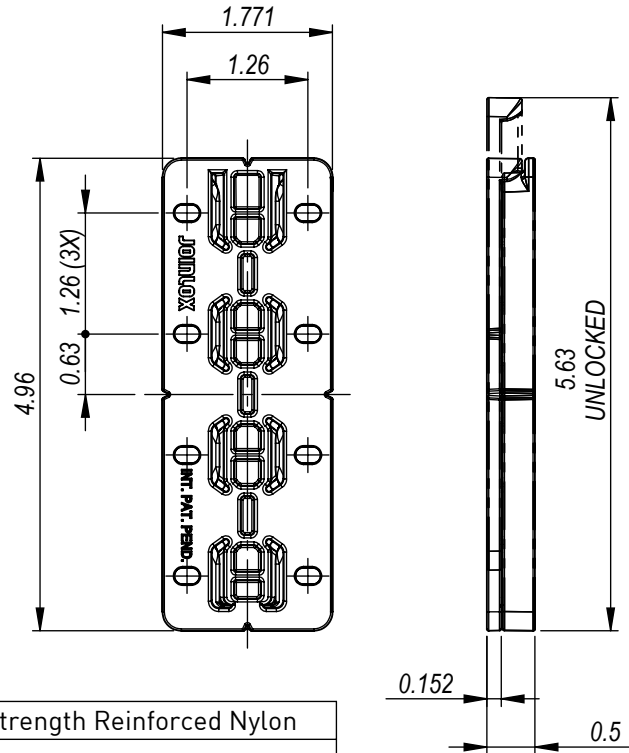
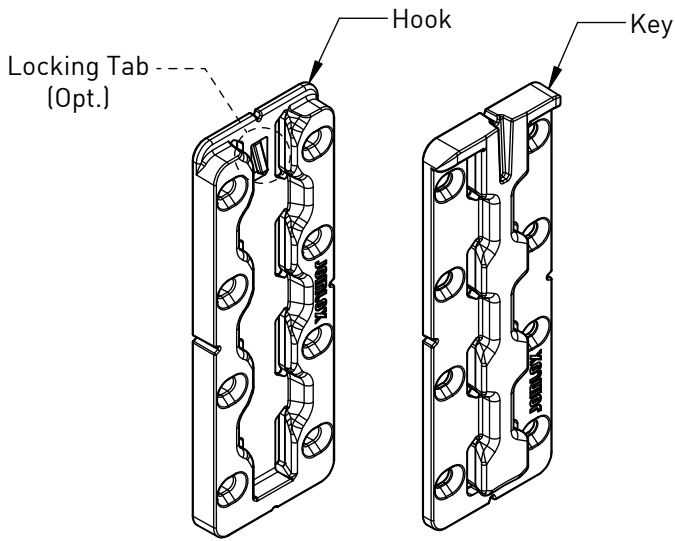
Rapid Assembly Systems



Mounting Data Sheet - US Version

All dimension in inches

General Dimensions



| | |
|---------------|--------------------------------|
| Material | High Strength Reinforced Nylon |
| Colour | Black |
| Fixing Method | 8g Screws or Glue |

*Ensure sufficient screw embedment in substrate.

Mounting Dimensions

