

LIF-ASSIST LID STAY with soft close (top opening)

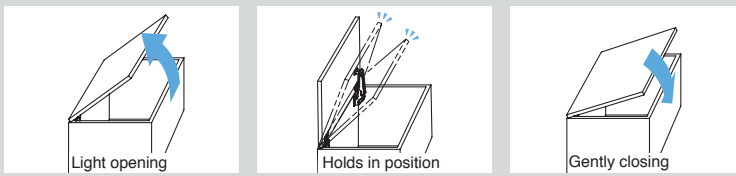


ARN-2

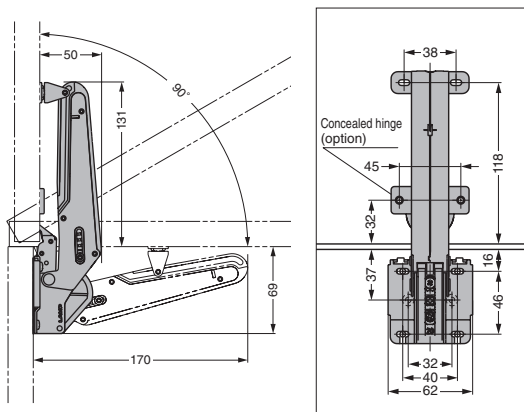
- Smooth door movement. It is specially designed for use with the OLYMPIA concealed hinge (360-D26-19).
- The lift-assist function allows for light opening of doors.
- The free-stop function enables doors to hold in position (30°-Max. ).
- The soft-close function makes doors close gently (0°-30° degrees).
- Integrated design combines a concealed hinge and lid stay.
- Closing speed of doors is adjustable.



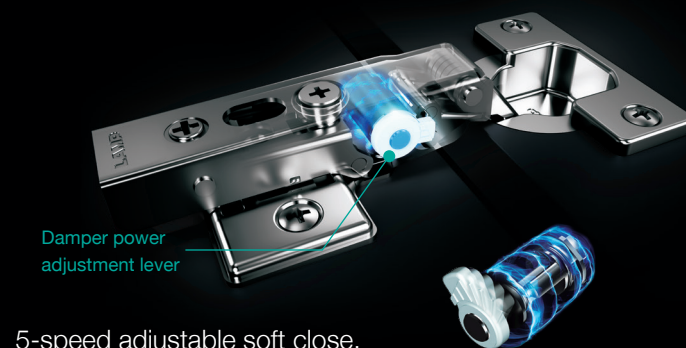
- Lift-assist**  
Allows for light opening of doors
- Free stop**  
Enables doors to hold in position (30°-Max.).
- Soft close**  
Built-in damper makes doors close slowly.



Components for a single door		
	Aileron	1
	Mounting plate for Aileron	1
	Olympia Concealed Hinge	2
	Mounting plate for Olympia	1
	Screws	1
Olympia 8	Aileron 6	



THE OLYMPIA HINGE with 5 level damper function, part of the Aileron soft-opening system.



5-speed adjustable soft close. The first Sugatsune concealed hinge ever built with Lapcon technology.



Item No.	Torque (kg·cm)	Weight (g)	Box (pcs)	Carton (pcs)	Material	Finish/Color
ARN-2-M-S	40.8~61.2 (35.4~53.1 lbs-in)	703	1	10	Steel, Zinc Alloy	Nickel
ARN-2-H-S	61.2~81.6 (53.1~70.8 lbs-in)				Plastic	Grey

LIF-ASSIST LID STAY with soft close (upward opening)

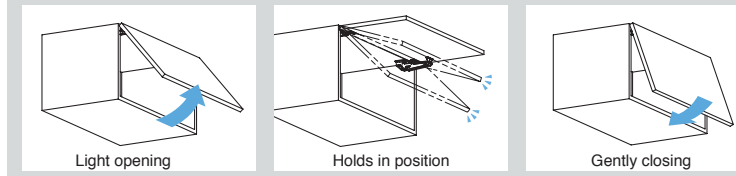


ARN-3

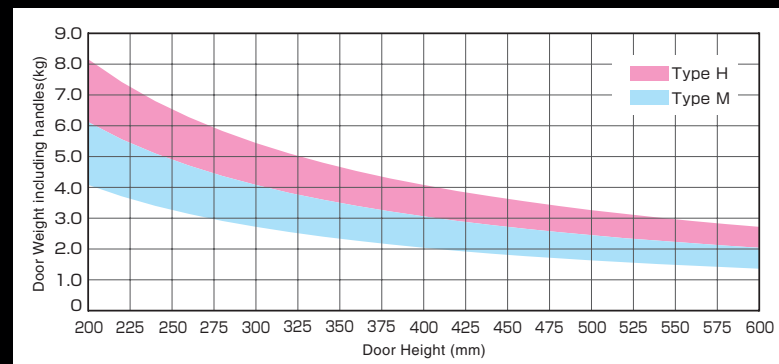
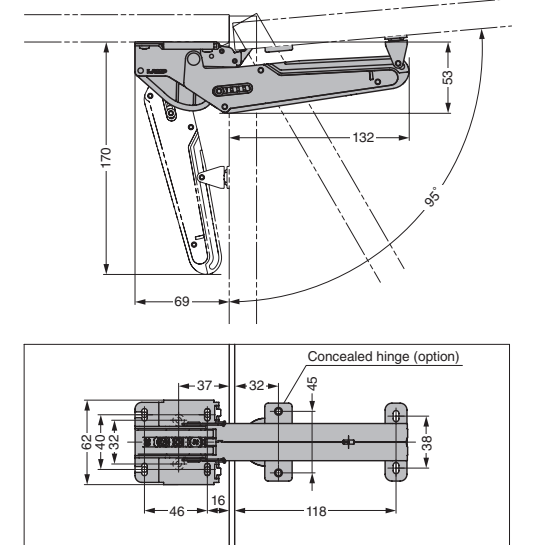
- Smooth door movement. It is specially designed for use with the OLYMPIA concealed hinge (360-D26-19).
- The lift-assist function allows for light opening of doors.
- The free-stop function enables doors to hold in position (30°-Max. ).
- The soft-close function makes doors close gently (0°-30° degrees).
- Integrated design combines a concealed hinge and lid stay.
- Closing speed of doors is adjustable.



- Lift-assist**  
Allows for light opening of doors
- Free stop**  
Enables doors to hold in position (30°-Max.).
- Soft close**  
Built-in damper makes doors close slowly.



Components for a single door		
	Aileron	1
	Mounting plate for Aileron	1
	Olympia Concealed Hinge	2
	Mounting plate for Olympia	1
	Screws	1
Olympia 8	Aileron 6	



Refer to the left graph as a guide for model selection. For use with doors outside of the scope of this graph, use the calculation below. Door weight includes attached decorations

Maximum Door Moment (N · m) = Door weight (kg) × 9.80665 × Distance from rotation centre to door centre of gravity (m).

Max. Door Moment	Type	Number of AILERON
4.0-6.0	M	1 pc
6.0-8.0	H	

Item No.	Torque (kg·cm)	Weight (g)	Box (pcs)	Carton (pcs)	Material	Finish/Color
ARN-3-M-S	40.8~61.2 (35.4~53.1 lbs-in)	703	1	10	Steel, Zinc Alloy	Nickel
ARN-3-H-S	61.2~81.6 (53.1~70.8 lbs-in)				Plastic	Grey