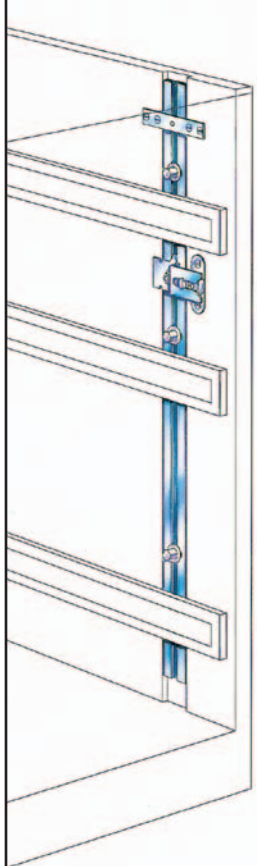


SYSTEM 150

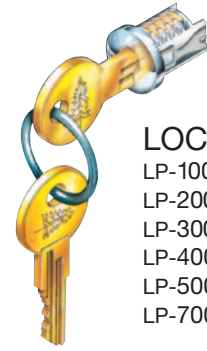
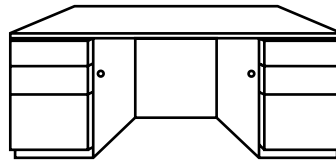
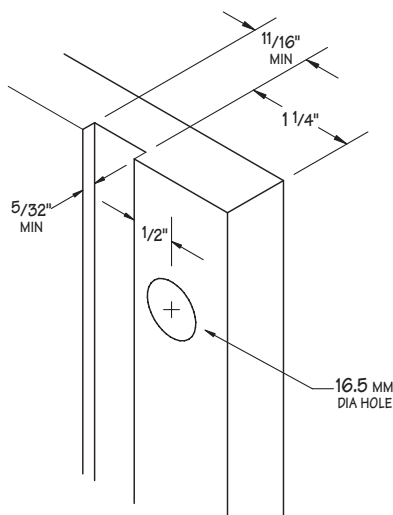
SIDE MOUNTED GANG LOCK FOR MULTIPLE DRAWERS



- FULL 1/2" LOCKBAR THROW
- FITS WITHIN 1/2" DRAWER SLIDE CLEARANCE
- MINIMAL MACHINING REQUIRED:
 - HOLE FOR LOCK
 - GROOVE FOR LOCKBAR



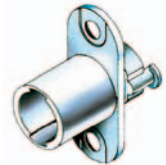
TYPICAL INSTALLATION DETAILS



LOCK PLUGS

- LP-100 Nickel
- LP-200 Old English
- LP-300 Black
- LP-400 Statuary Bronze
- LP-500 Brass
- LP-700 Satin Nickel

CB-150
TYPE 150
CYLINDER
BODY



LC-150
TYPE 150
LOCKBAR CLIP

LB-240
LOCKBAR
24" STANDARD
OR CUT TO SIZE



AP-037 3/8"
ADJUSTABLE PIN



LR-100
LOCKBAR RETAINER



DC-500 DRAWER LOCKING CLIP