



CPU Holder

7325D

The Knap & Vogt Waterloo CPU holder is a streamlined and adjustable device with an innovative strap-support design. This enables the CPU to be off the floor or desking surface to create a space-saving solution. By elevating the unit, the users also benefit by its easy accessibility.

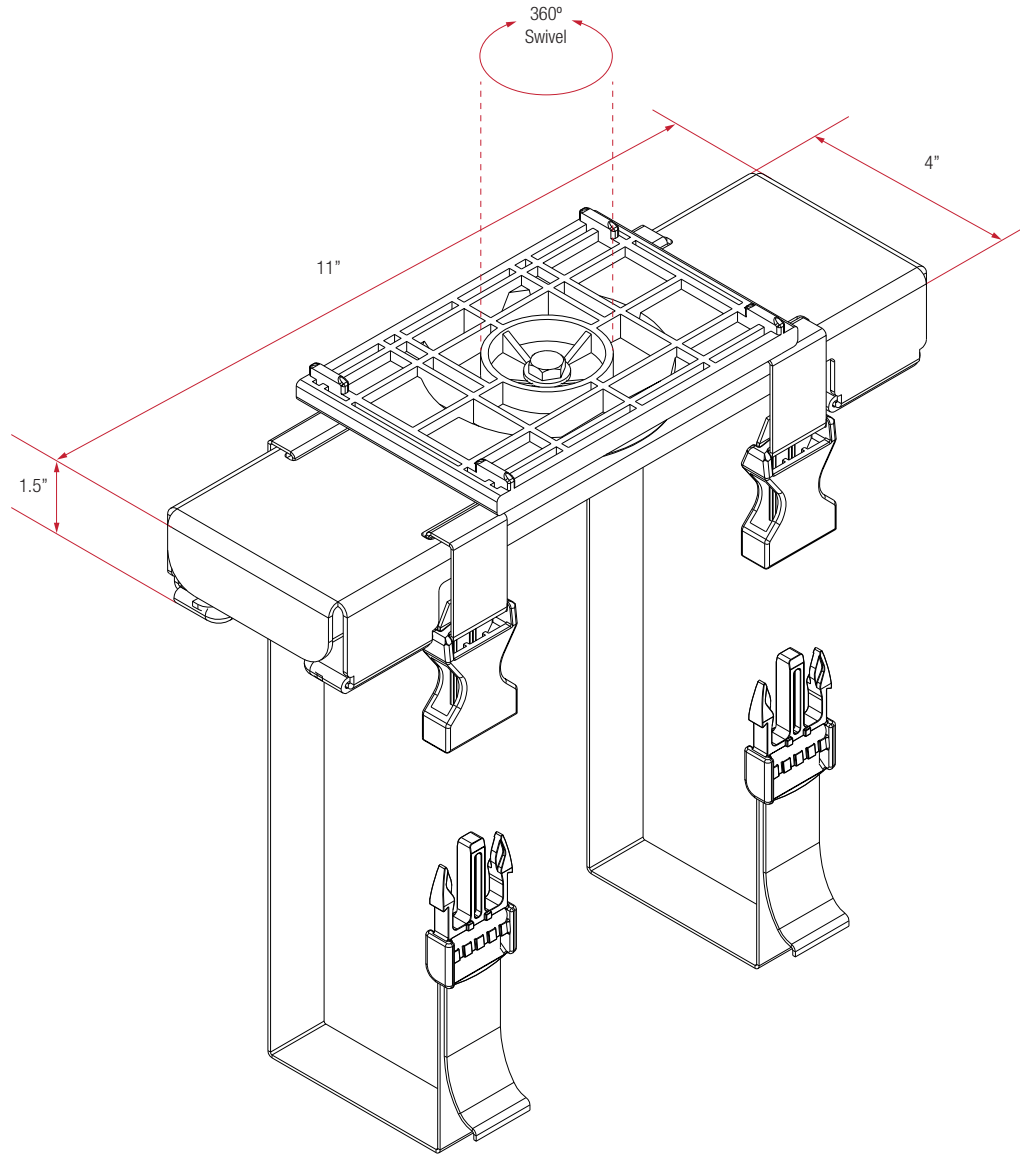
Features

- CPU retracts on a 17" track and swivels to allow full accessibility and easy storage
- Accommodates CPU's weighing up to 75 lb. and measuring 64" in perimeter
- Installation is quick and easy as straps adjust and fasten with buckles
- Soft touch Anti-slip pads protect the CPU

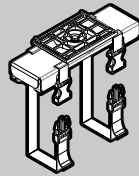
Benefits

- Frees up floor or desk space and makes for a safer work environment
- Flexible, strong and versatile
- Can be customized for every workstation
- Supports rectangular and curved CPU's

7325D



CPU Holder



Black

Finish:



7300 Series

Model	Width Adjustment	Weight	Weight Capacity	Swivel	Track Size
7325D17	2.5" minimum	4 lbs.	75 lbs.	360°	17"

- Knapé & Vogt Waterloo CPU Holders are an ideal complement to any Knapé & Vogt Waterloo keyboard support
- For flat panel displays, specify the Concerto flat panel support system

Notes: 1. Weight = packaged shipping weight per unit. 2. Specifications are subject to change without notice.



2700 Oak Industrial Dr. NE
 Grand Rapids, MI 49505-6026 USA
 1.800.253.1561 | 616.459.3311
 Fax: 877.636.3290
www.kv.com

Knapé & Vogt Waterloo
 501 Manitou Drive, Kitchener Ontario,
 Canada N2C 1L2
www.compXergonomx.com

Phone 519.748.5060
 Fax 519.748.4783
cs.waterloo@kv.com