

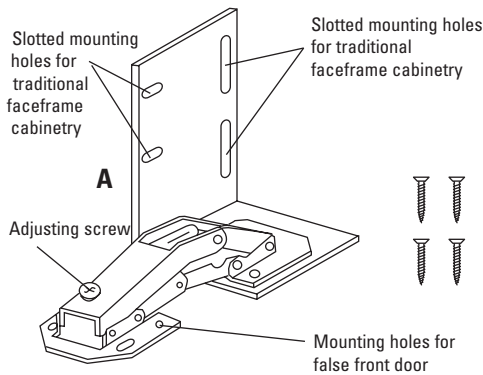
EURO-TRAY HINGE

Installation Instructions

Inspect all parts and read all instructions prior to beginning assembly and installation.

Parts Included

A. Hinges



Tools Required

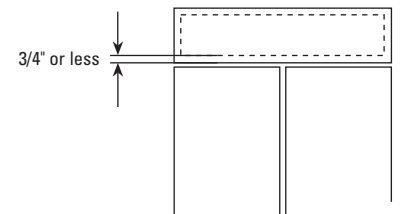
- Phillips head screwdriver
- Drill with 1/16" (1.5mm) bit for drilling pilot holes
- Tape measure or ruler
- Pencil

Product Assemblies

ET-H-N

Important Note: This package includes a right-hand and a left-hand hinge. Before installing, move the hinge to its full open position by backing out the adjusting screw. After installation, use this screw to limit the opening angle range from 40-degrees to 90-degrees. Turn the screw clockwise to close the hinge.

Step 1 Remove false drawer panel from cabinet. Hold false drawer panel in place over cabinet opening. With pencil inside the cabinet, mark the top, sides and bottom of the cabinet opening on the back of the false drawer panel. The lower overhang of the false drawer panel must not be greater than 3/4" for full opening clearance.



step 1

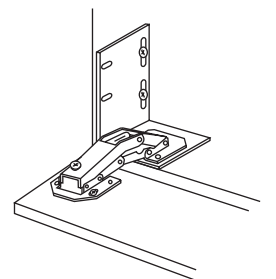
Step 2 Lay false panel front side down on worksurface, and place opened hinges against the backside of false panel, towards the bottom edge. Be sure to locate hinges on the inside of the pencil marks made in step 2. Mark hinge screw hole attachment with pencil. Remove hinges, and drill pilot holes, taking care not to drill completely through the thickness of the false drawer panel. Attach hinges with provided screws.



step 2

Step 3 For traditional faceframe cabinets, locate the bracket 1/8" back from the front edge of the cabinet face frame. Fasten in place using screws (provided) through the front horizontal slots. For frameless or European style cabinetry, locate the bracket with the large slots over the pre-drilled system 32 holes, and flush against the stretcher rail. Fasten in place using screws (provided) through the two vertical slots.

Step 4 Close the false drawer panel and check alignment. If needed, adjust the panel alignment by loosening the screws and repositioning. Hinge installation is complete.



step 3



Real Solutions
For Real Life.™

KNAPE & VOGT MANUFACTURING COMPANY

P.O. Box 191, Muncie, IN 47308

0.899.6535 • 765.288.8730 • Fax 765.288.0851 • www.kv.com

RN-220EFS 05/03