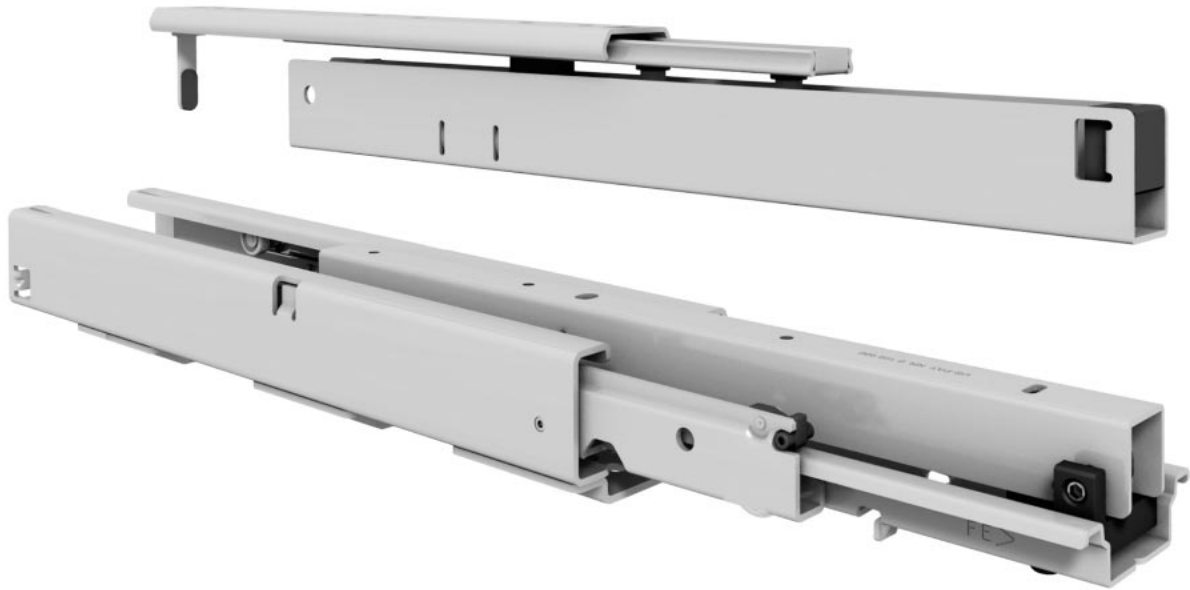


FR 775.ECD

SLIDE TYPE:	Progressive action full-extension pantry pull-out slide with top slide
MOUNTING:	Floor Mount

WIDTH:	min. 88.5 mm (3.48 in.)
LOAD CAPACITY:	dynamic up to 80 kg (175 lbs.)



NEW!

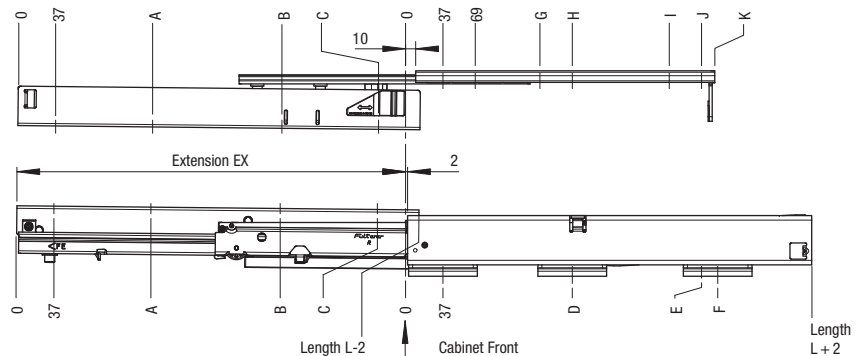
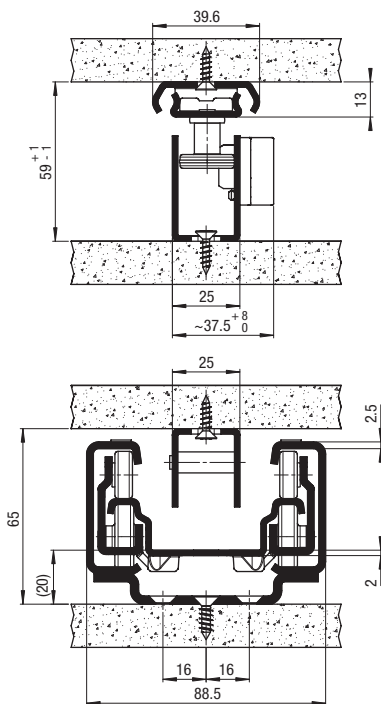
ECD

MATERIAL: powder coated cold rolled steel

FEATURES: delrin* encased steel ball bearings

- SPECIFICATIONS:**
- ▶ quick and easy installation through patented system
 - ▶ optimum and quiet movement
 - ▶ integrated lateral and height adjustment
 - ▶ top slide for absolute lateral stability
 - ▶ double-sided captive profile
 - ▶ Easy Close Device (ECD) integrated (top and bottom slide)

- NOTES:**
- ▶ do not lubricate any part of the slide
 - ▶ recommended maximum cabinet height: 1500 mm (59.06 in.)



Length L	EX	A	B	C	D	E	F	G	H	I	J	K	Weight per set	Order No.										
mm	in	mm	in	mm	in	mm	in	mm	in	mm	in	mm	kg	white										
400	15.75	385	15.16	133	5.24	261	10.28	357	14.06	293	11.54	133	5.24	165	6.50	261	10.21	293	11.54	306	12.05	4.90	10.78	4201
450	17.72	435	17.13	133	5.24	261	10.28	421	16.58	357	14.06	133	5.24	165	6.50	261	10.21	293	11.54	306	12.05	5.40	11.88	4202
500	19.69	485	19.10	165	6.50	325	12.78	453	17.84	389	15.32	197	7.76	229	9.02	357	14.06	389	15.32	402	15.83	6.10	13.42	4203
550	21.65	535	21.06	197	7.76	357	14.06	517	20.35	453	17.84	197	7.76	229	9.02	357	14.06	389	15.32	402	15.83	6.60	14.52	4204
600	23.62	585	23.03	197	7.76	389	15.32	549	21.61	485	19.09	197	7.76	229	9.02	357	14.06	389	15.32	402	15.83	7.15	15.73	4205
650	25.59	635	25.00	229	9.02	421	16.58	613	24.13	549	21.61	197	7.76	229	9.02	357	14.06	389	15.32	402	15.83	7.75	17.05	4206
700	27.56	685	26.97	261	10.28	485	19.09	645	25.39	581	22.87	197	7.76	229	9.02	357	14.06	389	15.32	402	15.83	8.25	18.15	4207
750	29.53	735	28.94	261	10.28	485	19.09	709	27.91	645	25.39	197	7.76	229	9.02	357	14.06	389	15.32	402	15.83	8.95	19.69	4208

Packing Unit: 1 Set per box with mounting instructions

*DuPont (TM) Delrin®