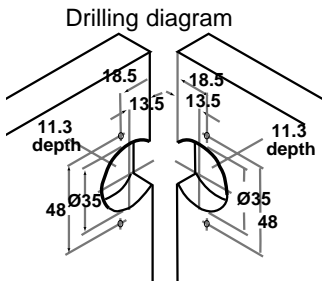
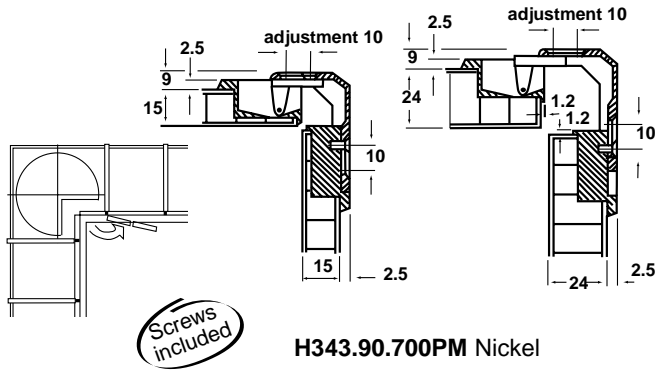


Pie Cut Corner Hinge

Free Swinging



- For door thickness variable of 15 - 24 mm ($\frac{1}{2}$ " - $\frac{15}{16}$ ")



H343.90.700PM Nickel