



KV1175

Center Under Mount Drawer Slide

50# Rating

INSTALLATION INSTRUCTIONS FOR THE KV1175 DRAWER SLIDE

Note: When replacing existing drawer slides, confirm that the new slide:

- Has a load rating that will accommodate the anticipated drawer load
- Uses a similar mounting style
- Is the correct length
- Will fit within the available clearance between drawer and cabinet

Each package contains:

- 1 channel assembly
- 1 channel assembly clip
- 1 rear roller assembly
- 1 rear mounting bracket
- 1 left hand roller assembly
- 1 right hand roller assembly
- 8 phillips pan head screws (#6 x 1/2", KV #200106-5)

For drawer lift out, allow 5/16" (8mm) clearance between drawer side height and drawer case opening height. Drawer width must be 1/4" (6.4mm) less than the cabinet opening. Drawer depth must be at least 1 1/4" (32mm) shorter than the cabinet depth. If necessary, the channel assembly can be cut to fit the inside depth of the cabinet.

NOTE: For drawer slide installation in new cabinets, skip to the "Installation - New Cabinetry" section.

Installation - Existing Cabinetry

1. Remove the drawer. Remove the contents from the drawer and remove it from the cabinet.
2. Remove the existing drawer slide(s) from the drawer and cabinet.
3. Prepare the cabinet and drawer to accept new drawer slide. Fill holes, sand rough spots that might interfere with mounting new drawer slides, and make any other needed repairs.

See the "Installation - New Cabinetry" section.

Installation - New Cabinetry

1. Install drawer rear roller assembly.
Mark a vertical center line on back of drawer. Place the vertical line stamped on rear roller assembly over center line marked on drawer. Align the edge of rear roller assembly so it is flush with bottom edge of drawer sides. Fasten with two screws.

2. Install cabinet channel assembly.

Mark a center line on cross-rail of cabinet opening, and mark a vertical center line on the inside back panel of cabinet. Insert channel assembly into rear mounting bracket and front clip, then place in cabinet. If channel assembly is too long, cut it to the required length.

Place the vertical line stamped on the rear mounting bracket over the center line marked on back panel of cabinet. Tap with a hammer to seat spur, and fasten with one screw through the lower hole of the rear mounting bracket. Level the channel assembly, then fasten with a second screw through the upper hole of the rear mounting bracket.

NOTE: If necessary, the rear mounting bracket can be mounted on wood stripping and can be reversed.

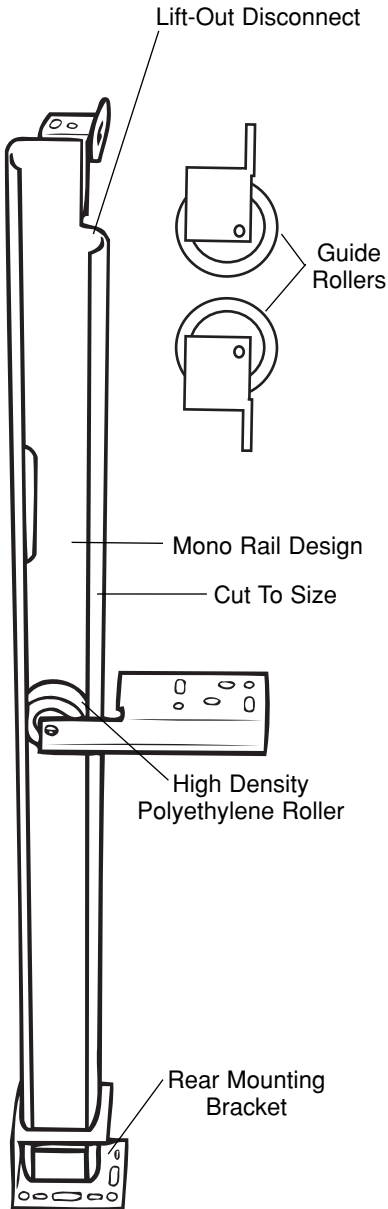
Align the vertical line stamped on the front clip with the center line marked on the front rail. Fasten with one screw.

3. Install front rollers.

Install the left and right roller assemblies on the back sides of the cabinet opening. Tap each assembly with a hammer to seat spur, and fasten with one screw.

4. Insert, adjust, and secure.

Lower the front of drawer, and place the roller at back of drawer into the notch at front edge of channel assembly. Push drawer into cabinet opening. To pass the drawer stop, lift the front edge of drawer. Check whether the drawer is level when fully extended (to drawer stop). If front of drawer is low, lower the rear mounting bracket until drawer is level. Use remaining screws to securely fasten rear mounting bracket.



Drawer Slide Mounting Profile

