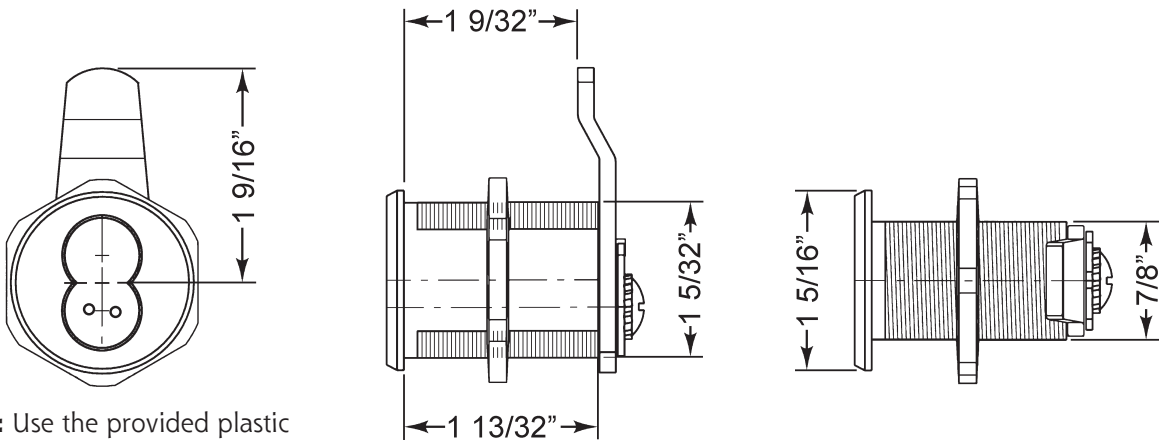
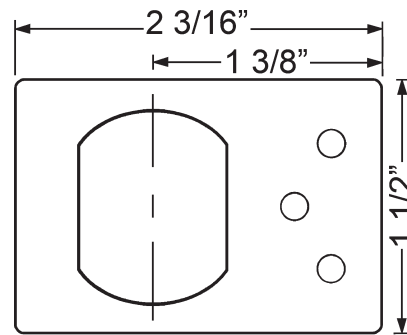
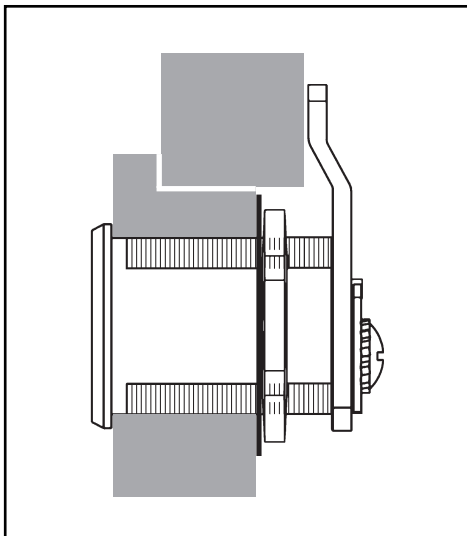


720LM/DM



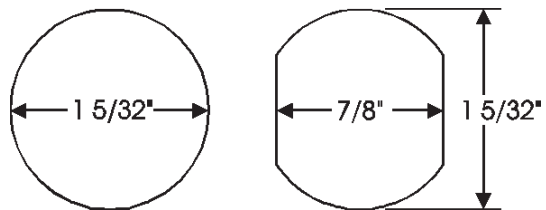
Note: Use the provided plastic actuator to cycle lock to the locked or unlocked position with prongs properly aligned before inserting core.

Typical Installation



Stabilizer Plate

Mounting cutout options



Lock diameter is $1\frac{1}{8}$ ". Drilled hole should be slightly larger.

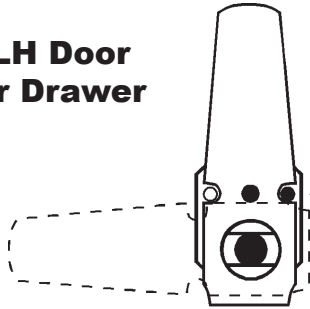
Title Installation instructions for 720LM/DM series cam lock					
Series 720	Barrel Length 1-7/16"	Bolt type Cam lock	Mounting Surface	Revision Date 02/2010	

720LM/DM

Assembled with vertical long cam
720-3-2 or extra long 3" cam 720-3-4

IMPORTANT! If your cam has a brass pin between the two notched cut outs use these instructions, otherwise see page 3.

LH Door or Drawer

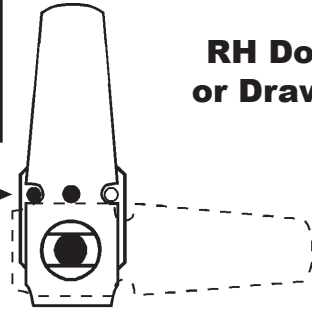


← Stop pin

Key removable in locked or unlocked position.



RH Door or Drawer



→ Stop pin

Key removable in locked or unlocked position.



LH Door Key Retaining

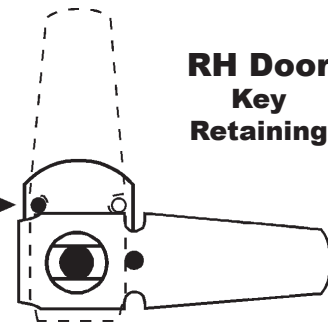


← Stop pin

Key removable in locked position only.



RH Door Key Retaining

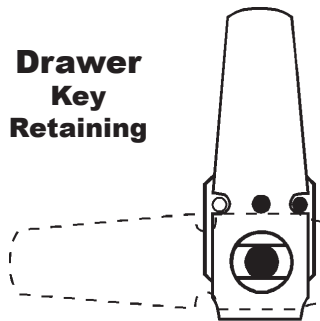


→ Stop pin

Key removable in locked position only.



Drawer Key Retaining

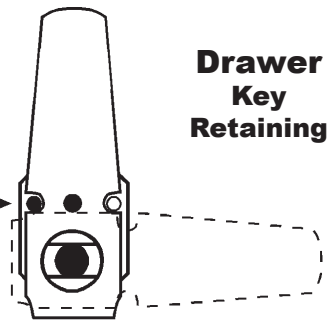


← Stop pin

Key removable in locked position only.



Drawer Key Retaining



→ Stop pin

Key removable in locked position only.

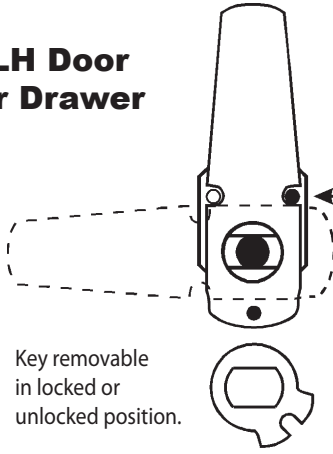


720LM/DM

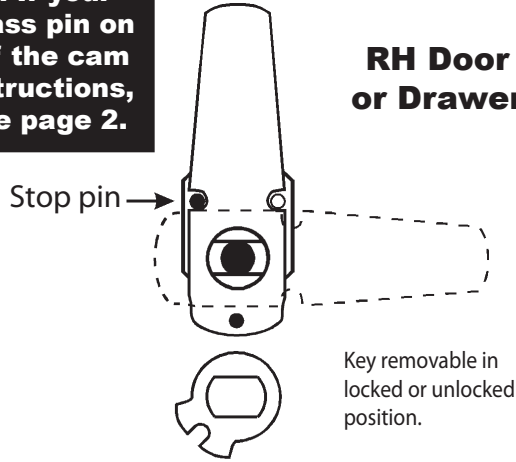
Assembled with vertical long cam
720-3-2 or extra long 3" cam 720-3-4

IMPORTANT! If your cam has a brass pin on the bottom of the cam use these instructions, otherwise see page 2.

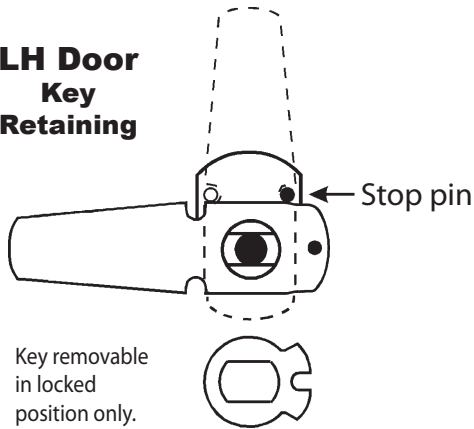
LH Door or Drawer



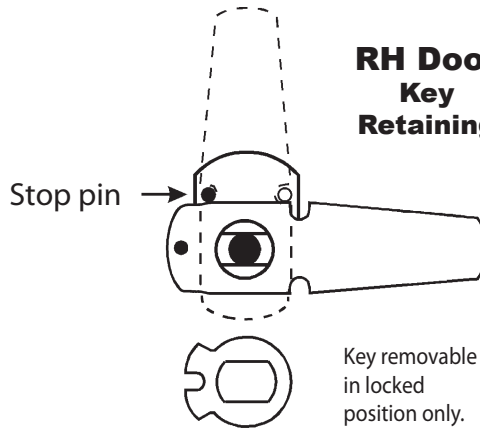
RH Door or Drawer



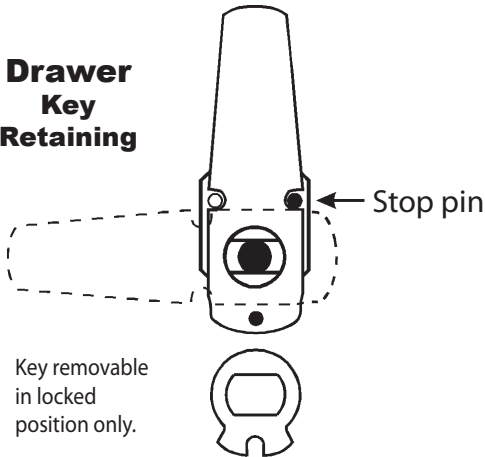
LH Door Key Retaining



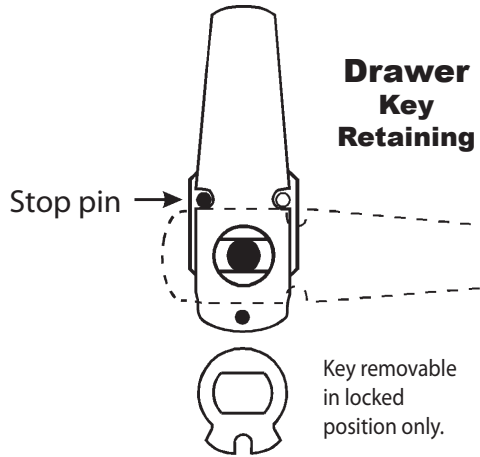
RH Door Key Retaining



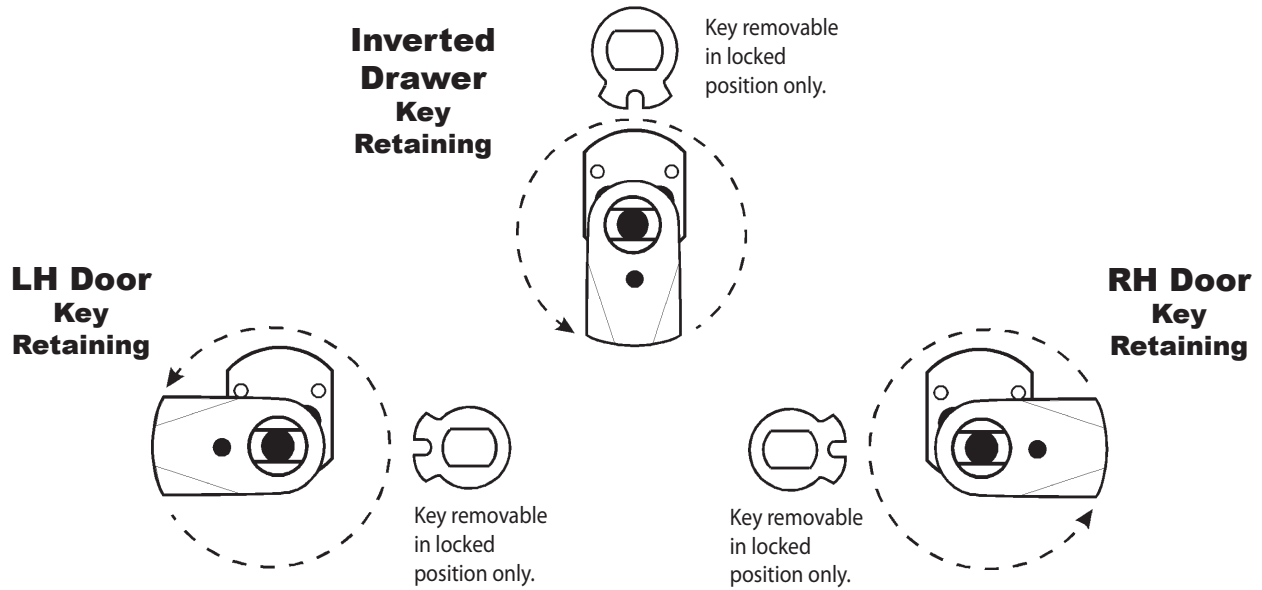
Drawer Key Retaining



Drawer Key Retaining



720LM/DM Assembled with short cam 720-3-1



Assembled with inverted long cam 720-3-3 or 720-3-5

