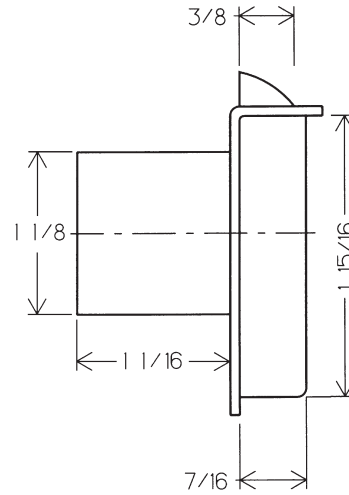
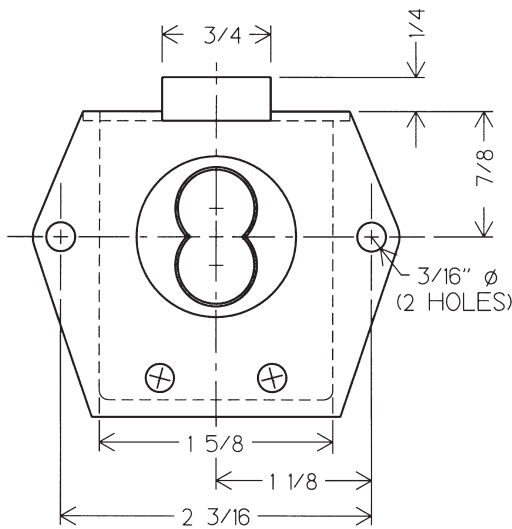


# Installation Instructions

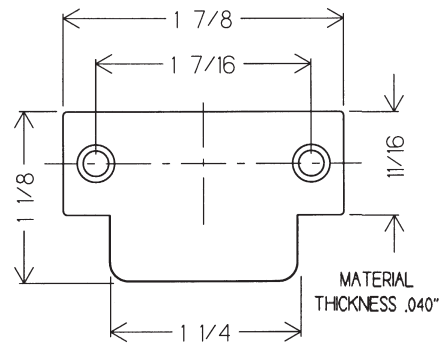
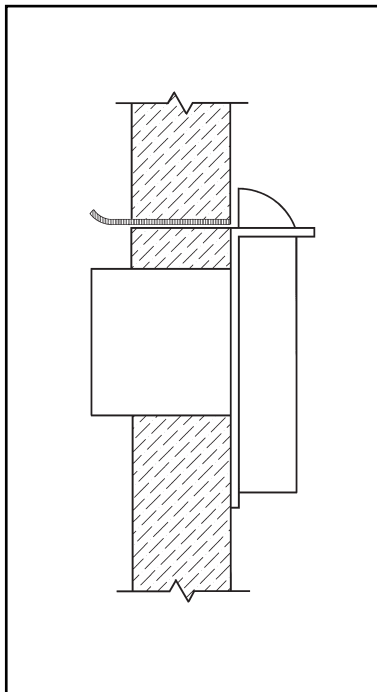
## 725RL

### Includes

2 Mounting screws #8 x 5/8"  
2 Strike screws #5 x 5/8"



### Typical Installation



Title

Installation instructions for 725RL series cabinet lock

Series

725RL

Barrel Length

1-1/16"

Bolt type

Latch

Mounting

Surface

Revision Date

07/2009

**OLYMPUS**  
LOCK, INC.