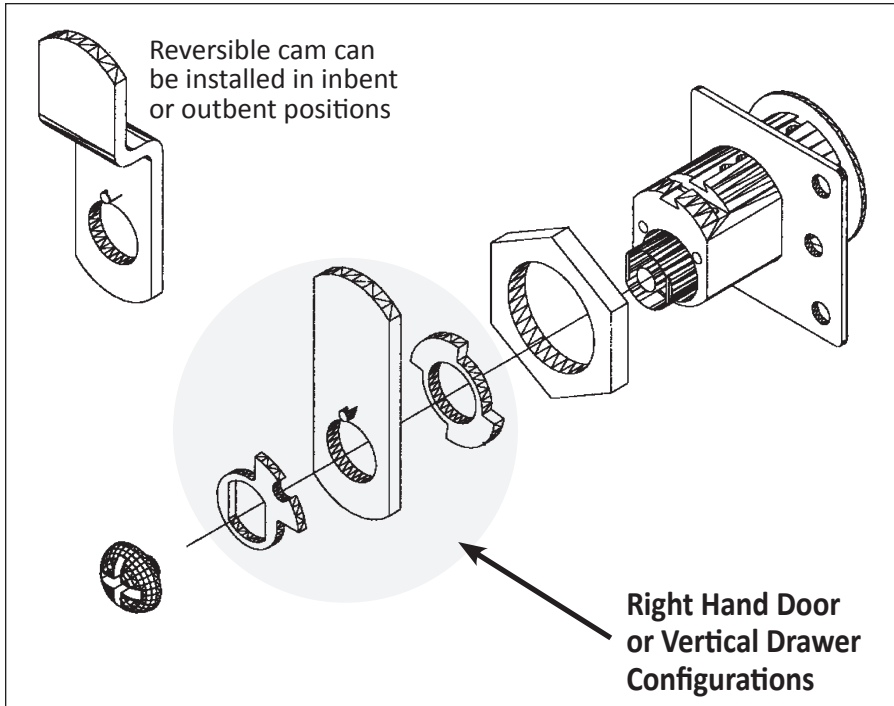
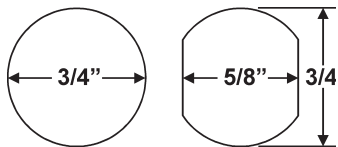


DCN For right-hand door or vertical drawer configurations



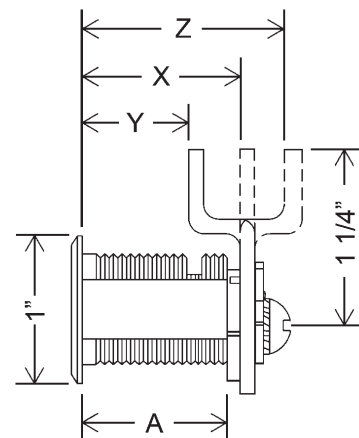
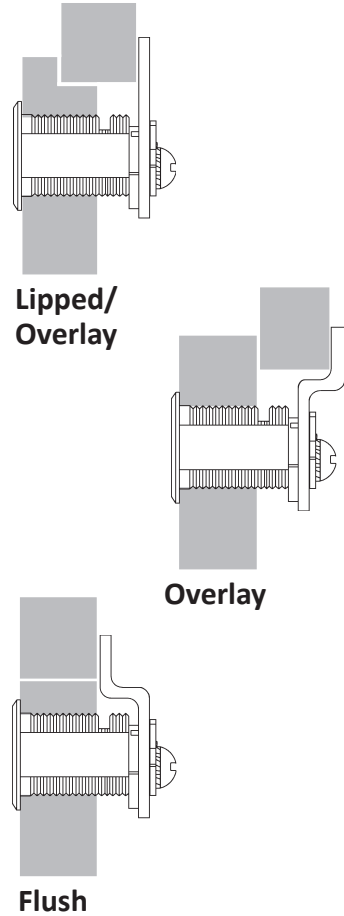
Use of cams depends on application and material thickness.

Mounting Cutout

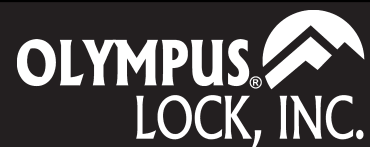


Cam Lock Dimensions

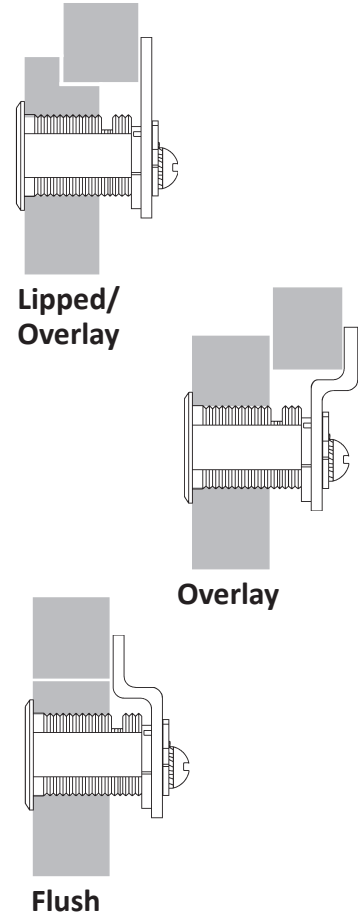
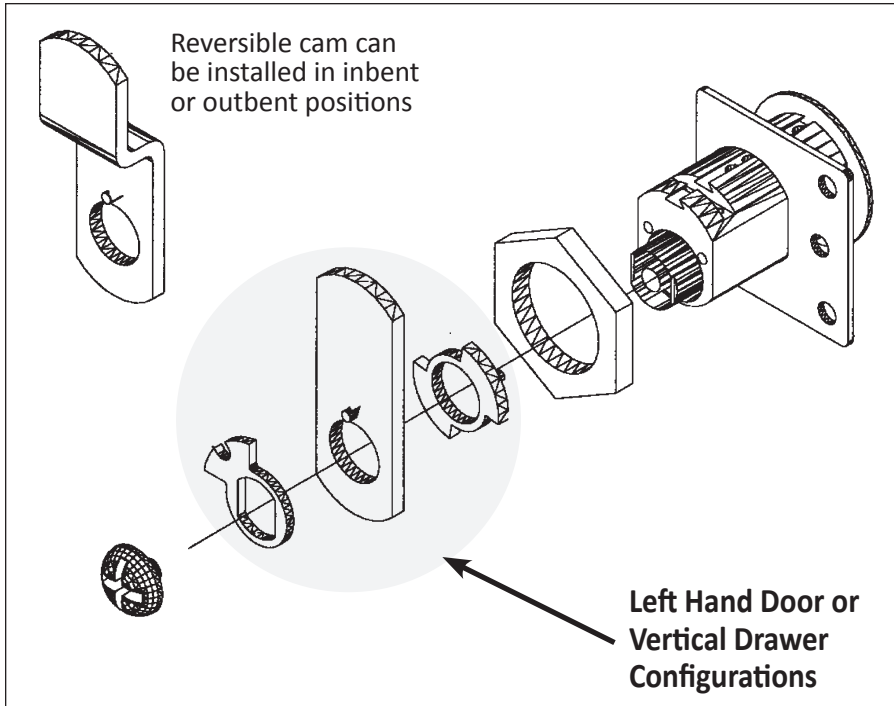
	For Mat. Thickness	Straight Cam (X)	Inbent Cam (Y)	Outbent Cam (Z)	Cylinder Length (A)
DCN1	3/4"	1-1/16"	3/4"	1-3/8"	1"
DCN2	7/8"	1-3/16"	7/8"	1-1/2"	1-1/8"
DCN3	1-1/8"	1-7/16"	1-1/8"	1-3/4"	1-3/8"
DCN4	1-1/2"	1-13/16"	1-1/2"	2-1/8"	1-3/4"



Title Installation instructions for DCN series cam lock				
Series DCN	Barrel Length See Chart	Bolt type Cam Lock	Mounting Surface	Revision Date 03/2006

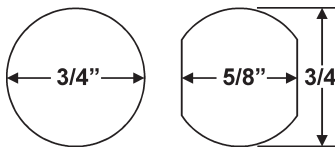


DCN For left-hand door or vertical drawer configurations



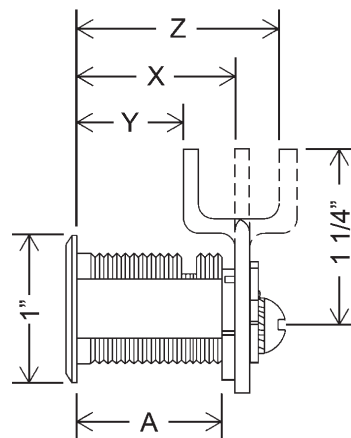
Use of cams depends on application and material thickness.

Mounting Cutout

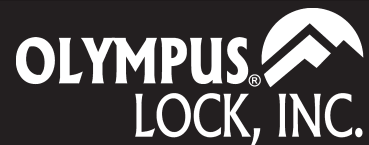


Cam Lock Dimensions

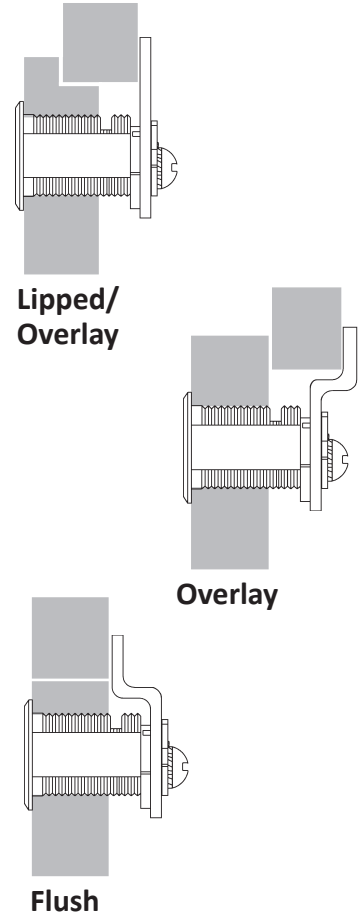
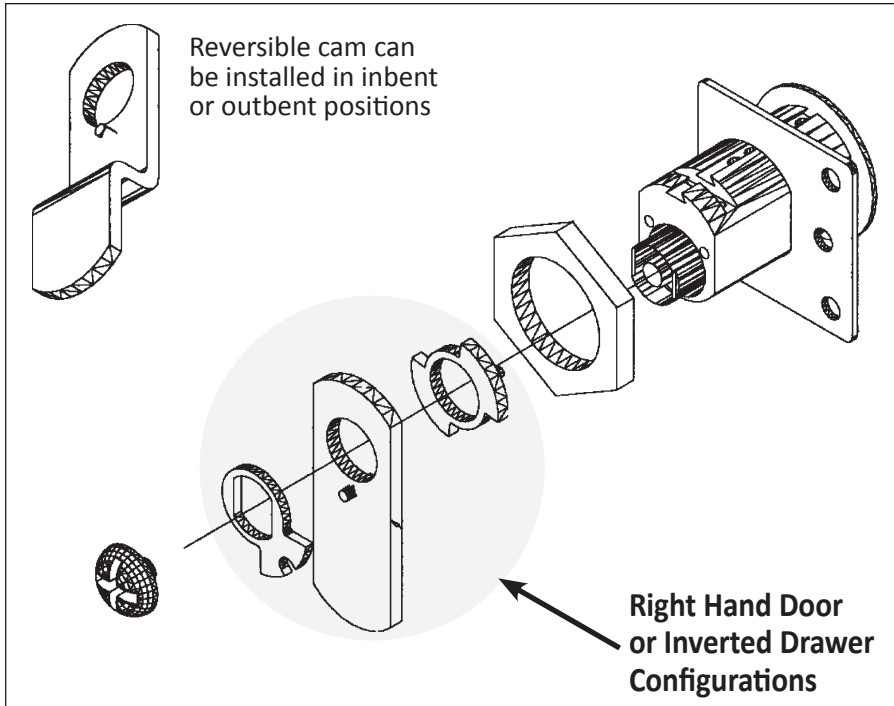
	For Mat. Thickness	Straight Cam (X)	Inbent Cam (Y)	Outbent Cam (Z)	Cylinder Length (A)
DCN1	3/4"	1-1/16"	3/4"	1-3/8"	1"
DCN2	7/8"	1-3/16"	7/8"	1-1/2"	1-1/8"
DCN3	1-1/8"	1-7/16"	1-1/8"	1-3/4"	1-3/8"
DCN4	1-1/2"	1-13/16"	1-1/2"	2-1/8"	1-3/4"



Title Installation instructions for DCN series cam lock				
Series DCN	Barrel Length See Chart	Bolt type Cam Lock	Mounting Surface	Revision Date 03/2006

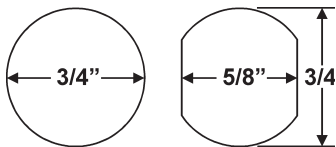


DCN For right-hand door or inverted drawer configurations



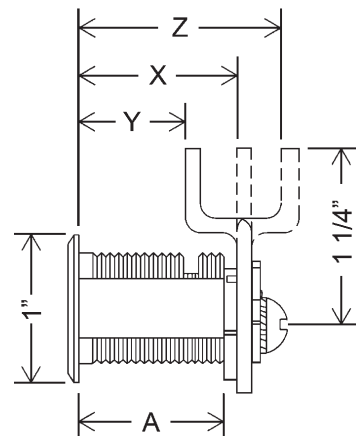
Use of cams depends on application and material thickness.

Mounting Cutout

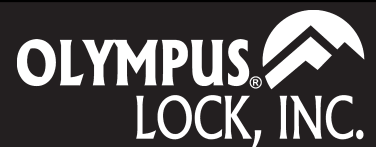


Cam Lock Dimensions

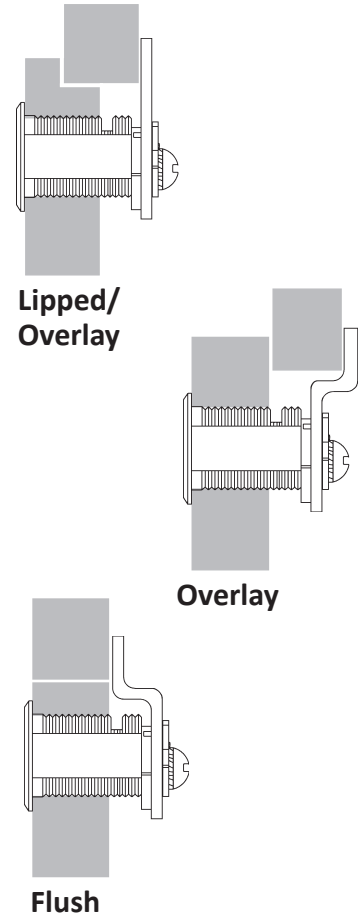
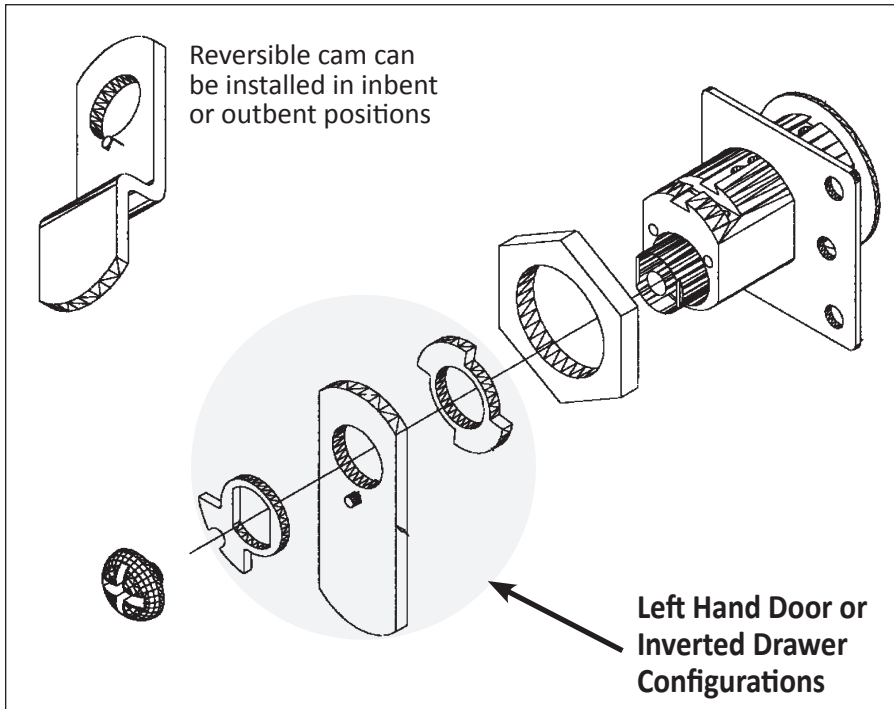
	For Mat. Thickness	Straight Cam (X)	Inbent Cam (Y)	Outbent Cam (Z)	Cylinder Length (A)
DCN1	3/4"	1-1/16"	3/4"	1-3/8"	1"
DCN2	7/8"	1-3/16"	7/8"	1-1/2"	1-1/8"
DCN3	1-1/8"	1-7/16"	1-1/8"	1-3/4"	1-3/8"
DCN4	1-1/2"	1-13/16"	1-1/2"	2-1/8"	1-3/4"



Title Installation instructions for DCN series cam lock				
Series DCN	Barrel Length See Chart	Bolt type Cam Lock	Mounting Surface	Revision Date 03/2006

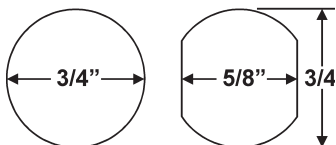


DCN For left-hand door or inverted drawer configurations



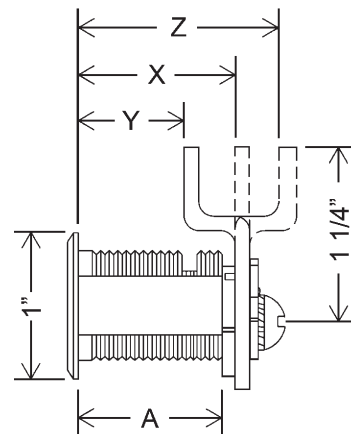
Use of cams depends on application and material thickness.

Mounting Cutout



Cam Lock Dimensions

	For Mat. Thickness	Straight Cam (X)	Inbent Cam (Y)	Outbent Cam (Z)	Cylinder Length (A)
DCN1	3/4"	1-1/16"	3/4"	1-3/8"	1"
DCN2	7/8"	1-3/16"	7/8"	1-1/2"	1-1/8"
DCN3	1-1/8"	1-7/16"	1-1/8"	1-3/4"	1-3/8"
DCN4	1-1/2"	1-13/16"	1-1/2"	2-1/8"	1-3/4"



Title Installation instructions for DCN series cam lock				
Series DCN	Barrel Length See Chart	Bolt type Cam Lock	Mounting Surface	Revision Date 03/2006

