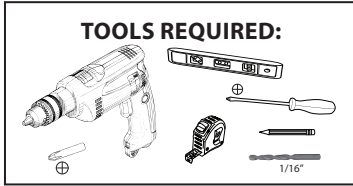




12400 Earl Jones Way, Louisville, KY 40299
 (800) 626-1126 • www.rev-a-shelf.com

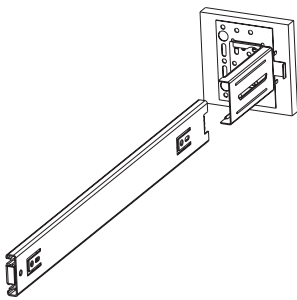
INSTALLATION INSTRUCTIONS

Top Mount Pull-Out Waste Containers
 For models: 4WCTM-12BBSCDM1, 4WCTM-15BBSCDM2,
 4WCTM-18BBSCDM2, 4WCTM-1550BBSCDM-1
 and 4WCTM-2150BBSCDM-2



ESTIMATED ASSEMBLY TIME:
45 MIN

CARE AND MAINTENANCE:
CLEAN WITH A DAMP CLOTH AND WIPE PARTS DRY.

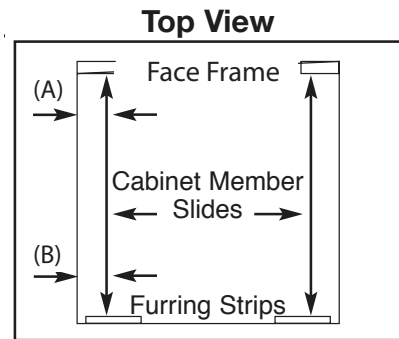


Step 1: Install rear bracket to rear of slide.

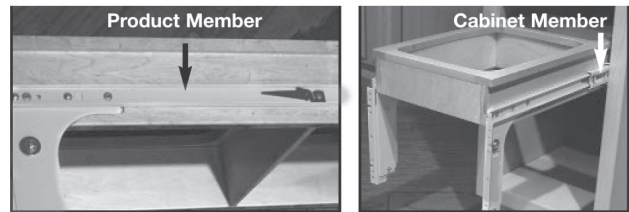
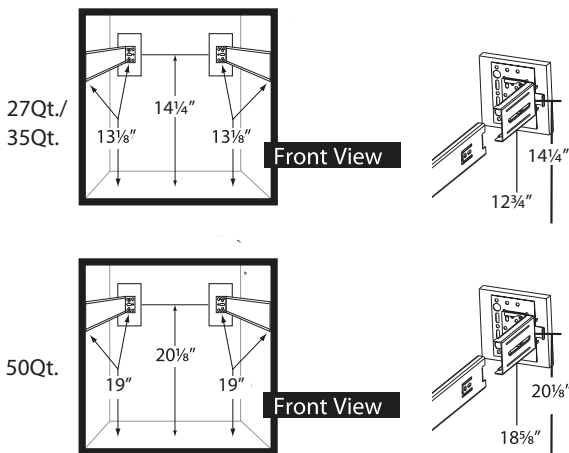
Step 2: Install front of slide to face frame. Hole is placed $\frac{3}{8}$ " from front of cabinet. Bottom of slide should be (13 $\frac{1}{8}$ " - 35Qt. & 27Qt. / 19" - 50Qt.) from cabinet floor. Use #8 x $\frac{3}{8}$ " Low Profile Truss Head Screw.

Step 3: If rear of cabinet is thinner than $\frac{1}{2}$ ", install a $\frac{1}{2}$ " x 3" wide furring strip to the back of the cabinet centered (14 $\frac{1}{4}$ " - 35Qt. & 27Qt. / 20 $\frac{1}{8}$ " - 50Qt.) from floor of cabinet.

Step 4: Measure from inside cabinet wall to inside face frame (A) distance should be measured the same at rear of cabinet (B).



Step 5: Mount Rear Bracket. Extend the slide rear mounting bracket until it contacts the rear (Furring Strip). Bottom of slide should be (13 $\frac{1}{8}$ " - 35 & 27Qt. 19" - 50Qt.) from cabinet floor. Rear mounting bracket should be the same distance from the side cabinet wall at rear of slide as it is up front. Drive mounting screw in center horizontal slot of rear mounting bracket, tighten. Tighten screw in front bracket.



Step 6: Install wood unit (with slides attached) into cabinet, engaging product member slides into cabinet member slides push unit until it lock in place.

For more information visit our YouTube channel or download our "Tips and Tricks" sheet.

Step 7: Mount Door, see next page

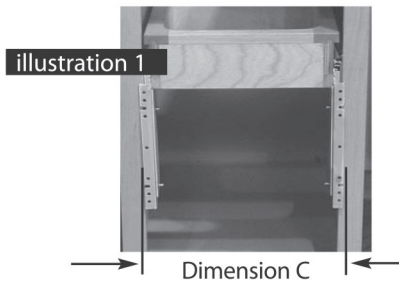


Visit our YouTube Channel for an installation video of this product
[Youtube.com/REVASHELF](https://www.youtube.com/REVASHELF) find "Wood Top Mount"

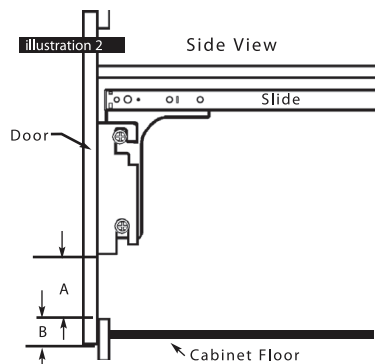
Download and Tips & Tricks Sheet at: Rev-a-shelf.com/TIPS_WCTMBBSC.pdf

For Top Mount Waste Container Door Mounting Brackets:

Step 1: Measure outside dimension of Door Brackets.
Note: as Dimension C.

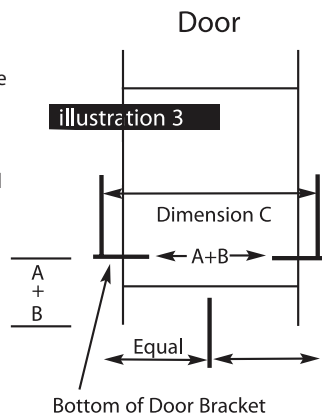


Step 2: Measure the distance from the bottom face frame to bottom of the Door Bracket. **Note as Dimension A.** Measure your door overlap. **Note as Dimension B.** (See illustration 2) **Note:** On frameless cabinets, measure from the bottom of the cabinet opening to the bottom of the Door Bracket.

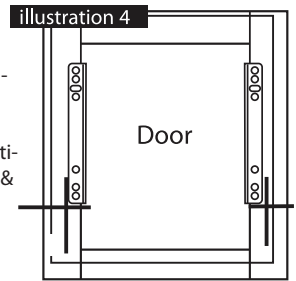


Step 3: Add Dimension A and Dimension B together. Measure this distance from bottom of the inside of your cabinet door and mark a horizontal line. (See illustration 3). Measure center point on inside of cabinet door and mark this point as well.

Step 4: Take Dimension C (from Step 1) and divide it by two. Measure this distance to the left of the center point on the inside of the cabinet door and make a vertical line. Measure this distance to the right of the center door and make another vertical line (See illustration 3).



Step 5: Remove Door Brackets from product members and screw to inside of cabinet door with #6 x 1/2" flat head screws. **Note:** Line up door bracket to cabinet door by aligning door bracket with the vertical and horizontal lines you have marked in Step 3 & 4. (See illustration 4)



Step 6: Hang door with brackets attached on the mounting screws on to the product members. Tighten bottom screws securely. Tighten top screws (with washer) snugly allowing for future adjustment. (See illustration 5.)



Step 7: Be sure bumper pads (not provided) are installed to all four corners of door. Push door closed and apply pressure to all four corners making sure door is flush with cabinet. (See illustration 6)

illustration 7



Step 8: Pull door open from sides of door at slide level. (See illustration 7). Make sure to securely tighten top screws.



Step 9: If your cabinet door is not straight (even all around) you can adjust it by loosening the screws on one of the sides, properly align the cabinet door and re-tighten the screws.