

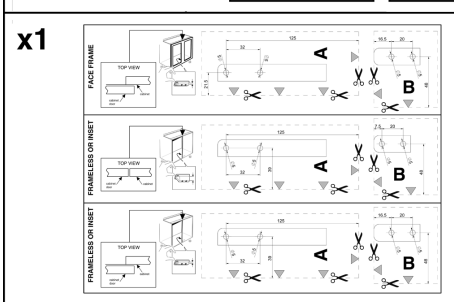
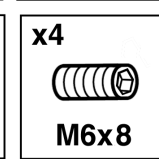
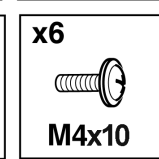
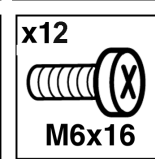
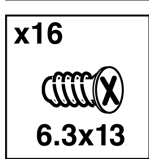
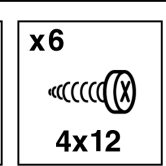
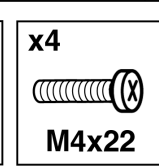
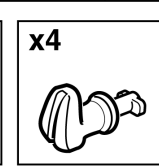
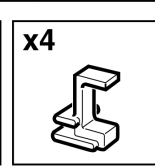
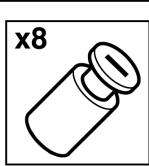
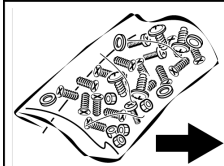
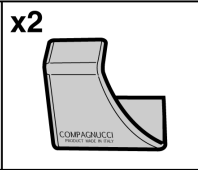
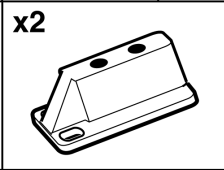
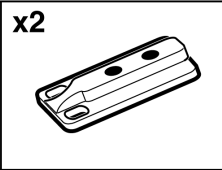
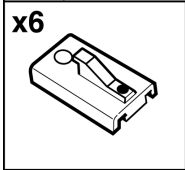
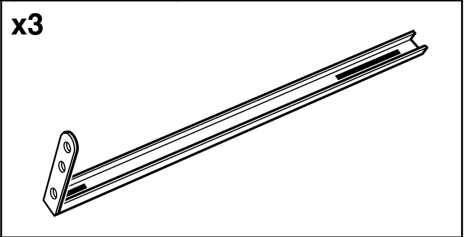
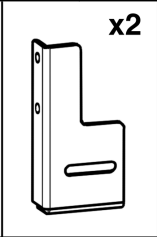
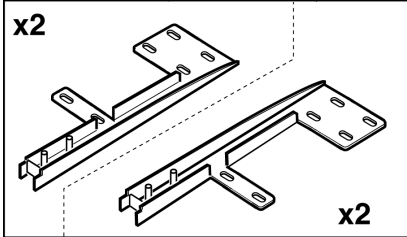
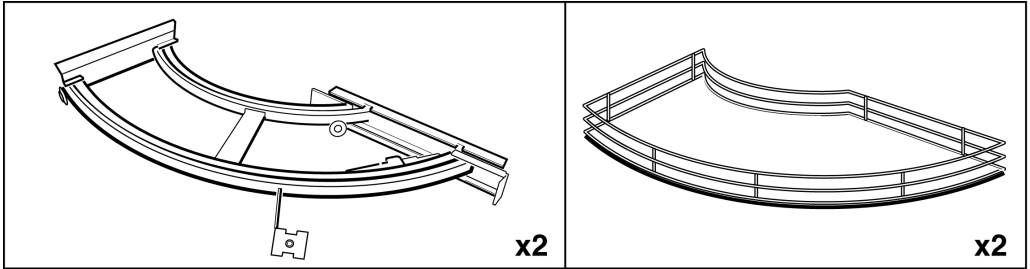
January, 2012

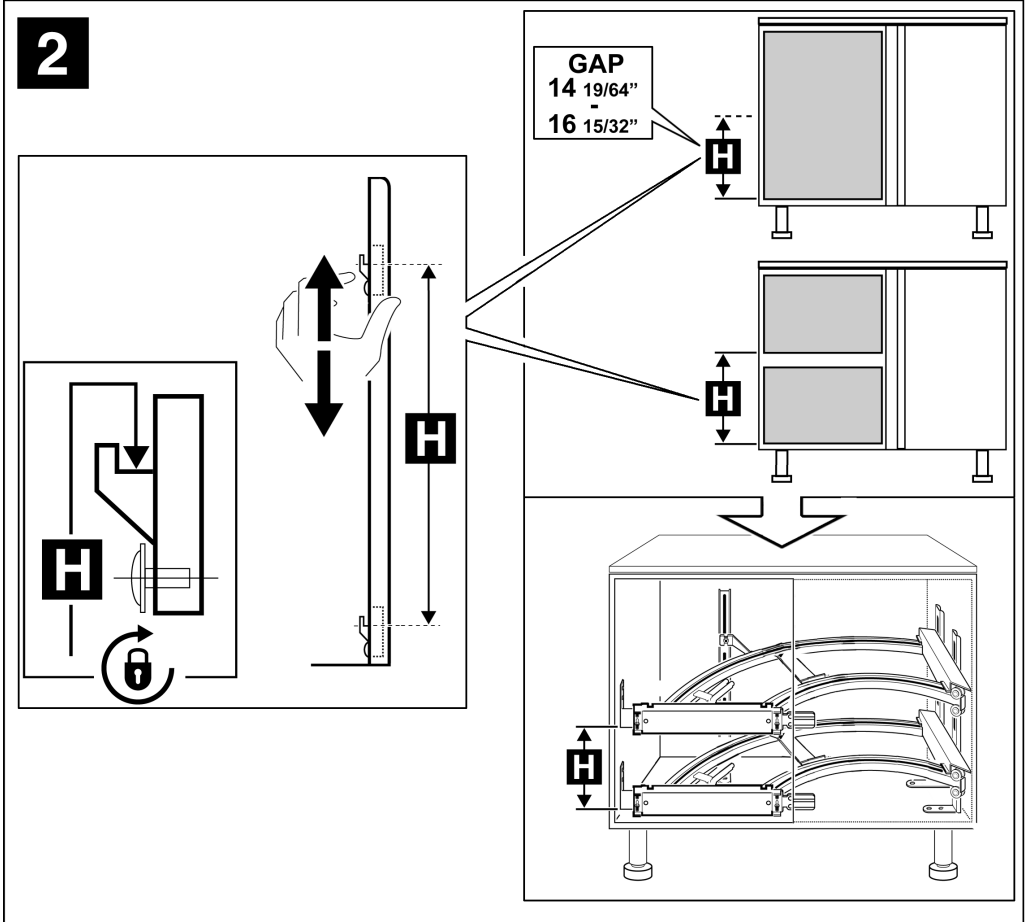
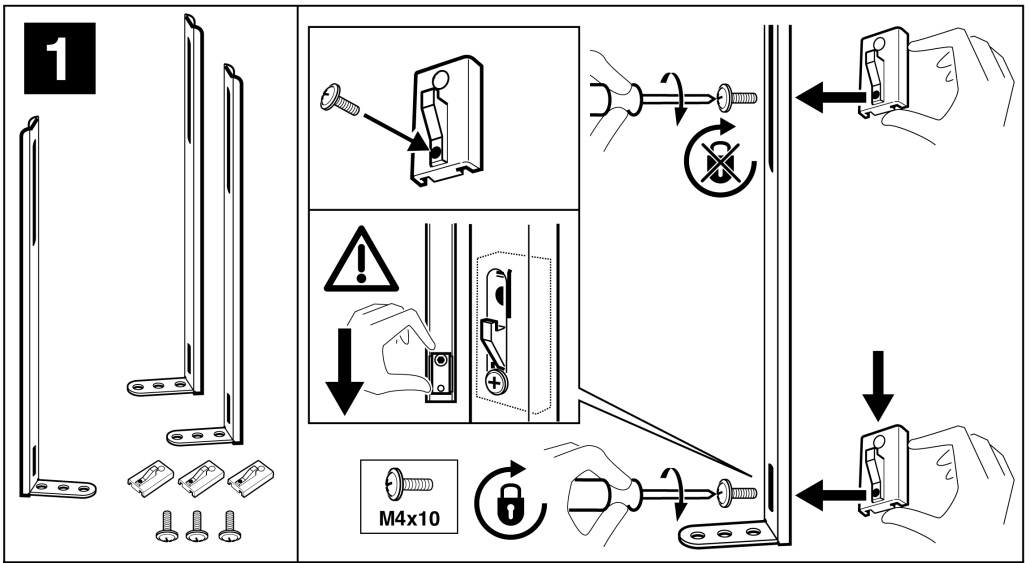
A301STR0423



2409 Plantside Drive  
Jeffersontown, Kentucky 40299

Phone: 1-800-626-1126 (toll free)  
[www.rev-a-shelf.com](http://www.rev-a-shelf.com)

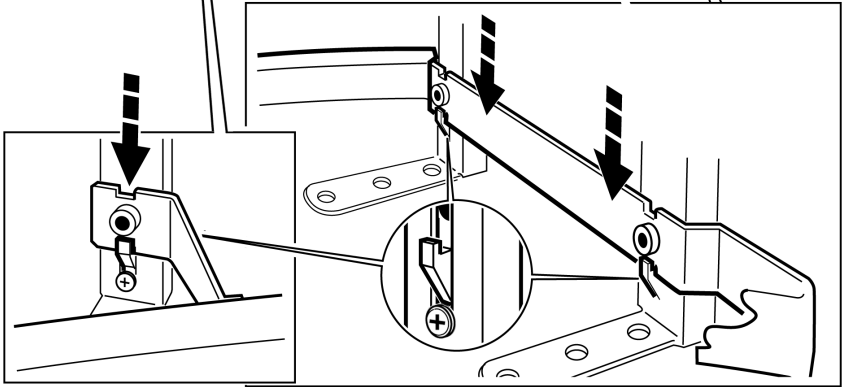




3

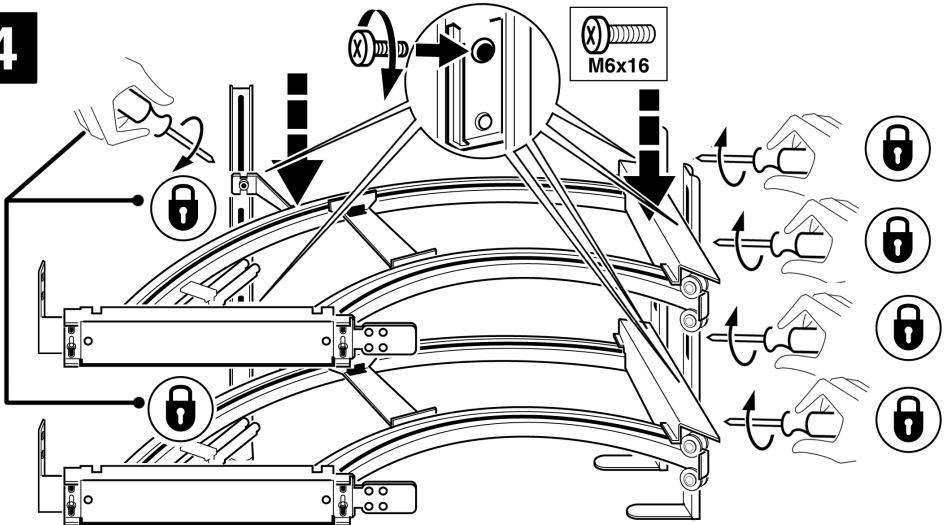
M6x16

GAP **L**  
21 1/8" - 22 9/64"

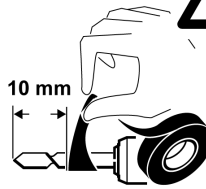
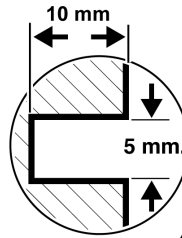
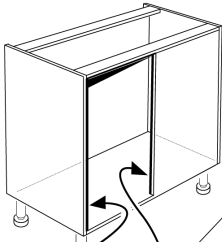


4

M6x16

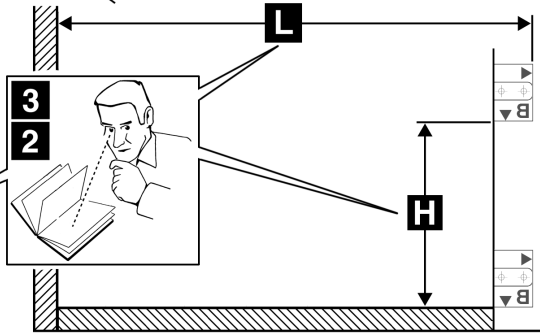
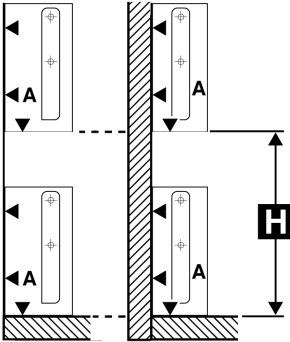


**5**

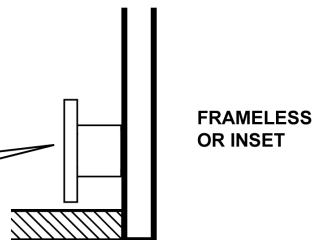
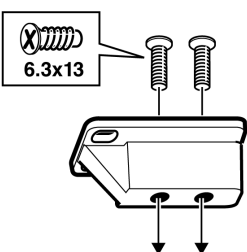
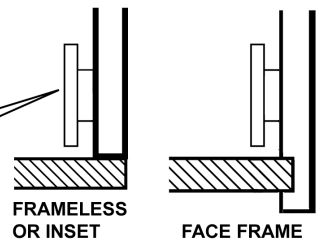
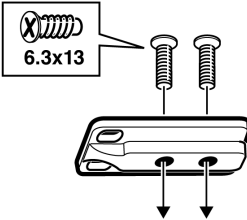
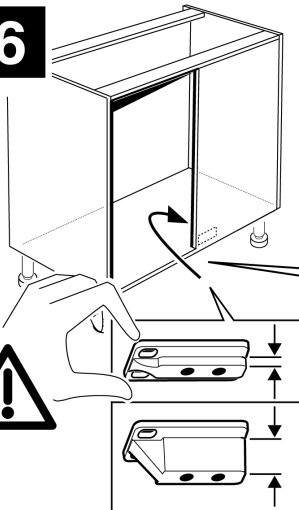


**FRAMELESS  
OR INSET**

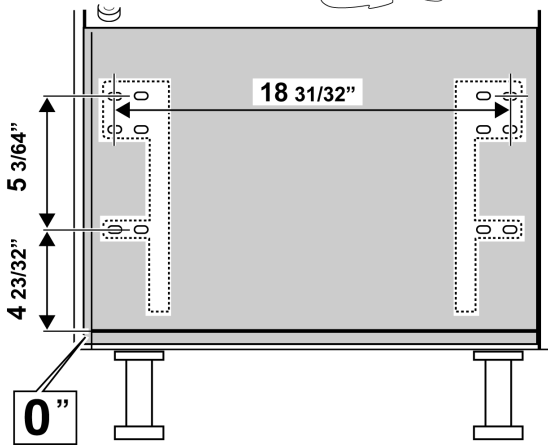
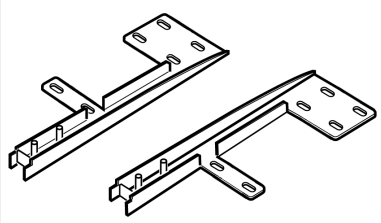
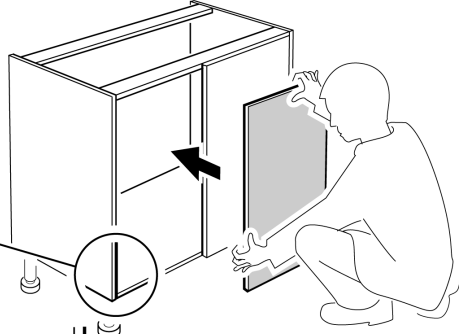
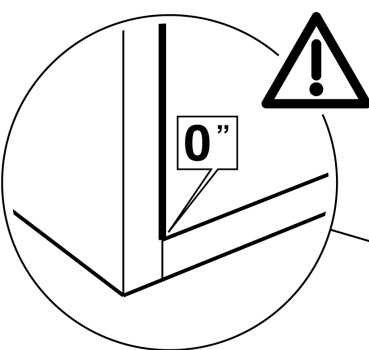
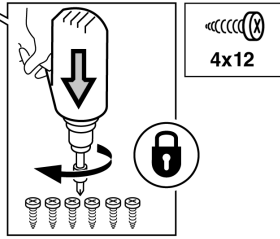
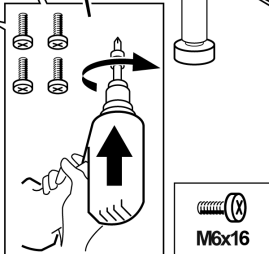
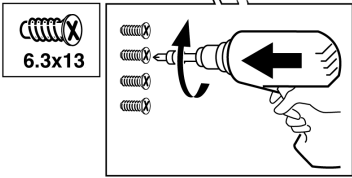
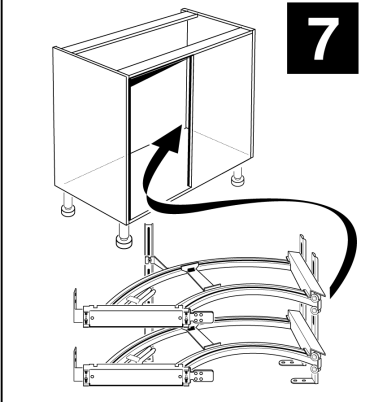
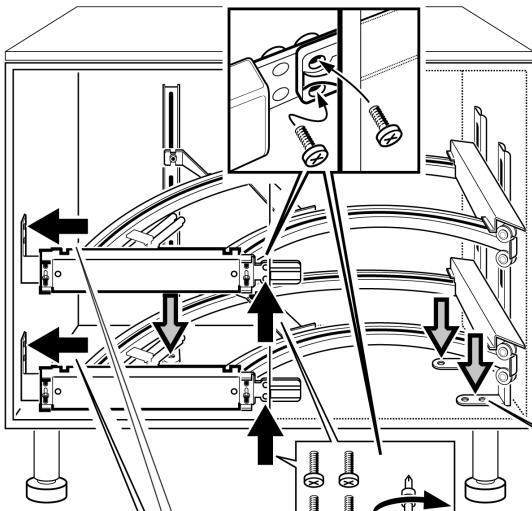
**FACE  
FRAME**



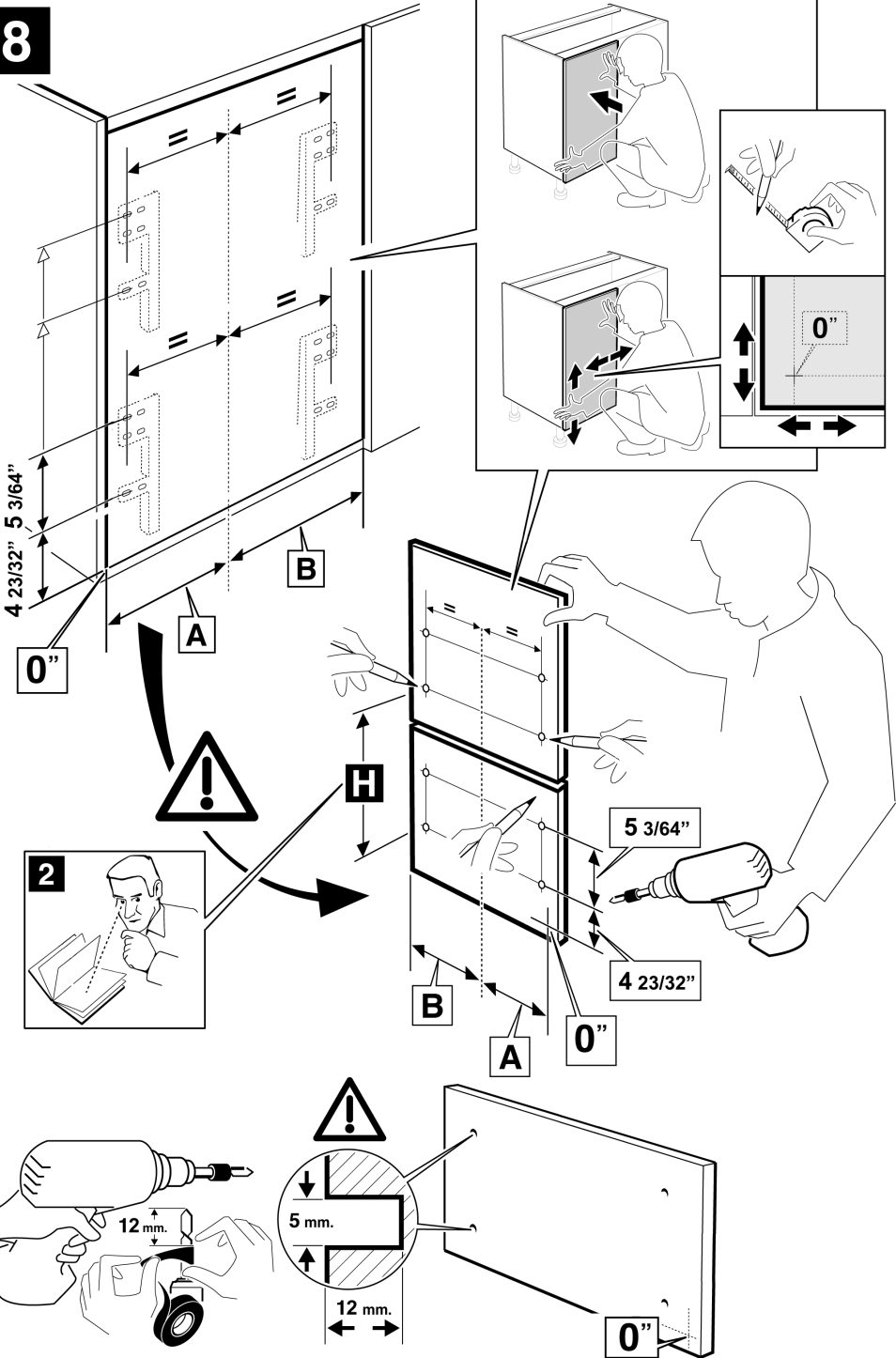
**6**



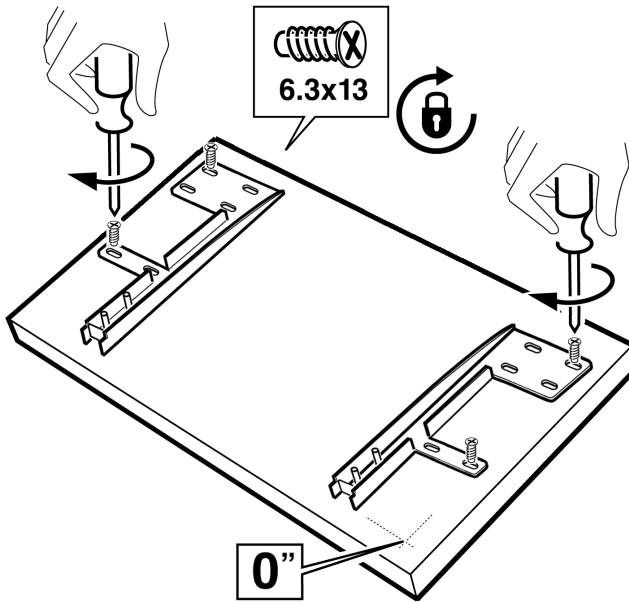
7



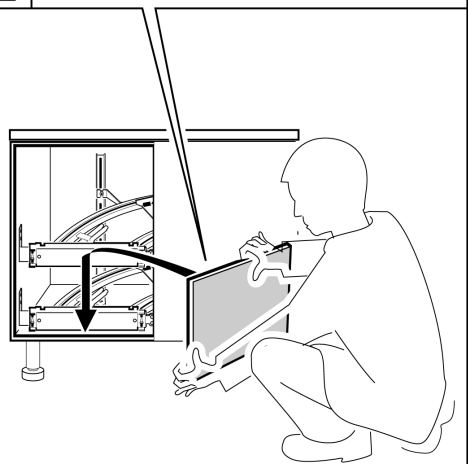
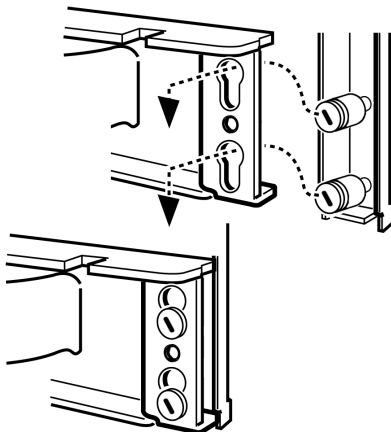
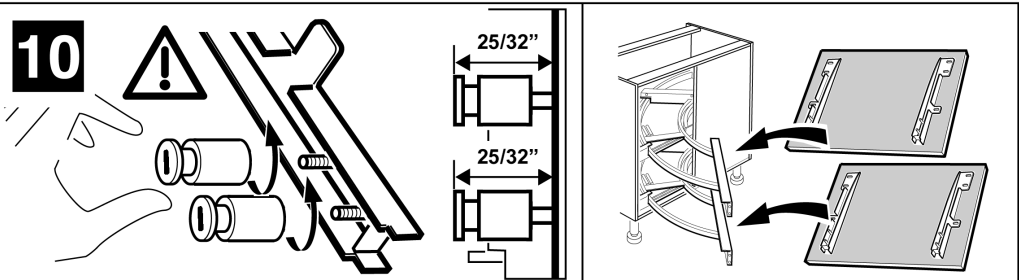
8



9

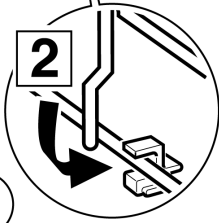
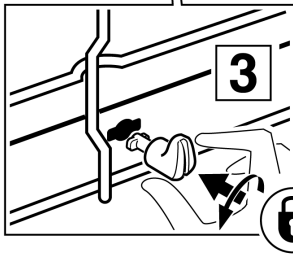
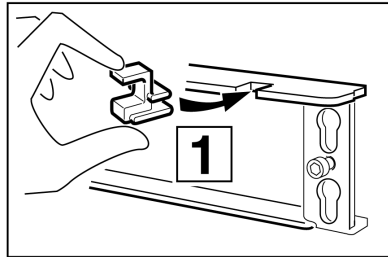
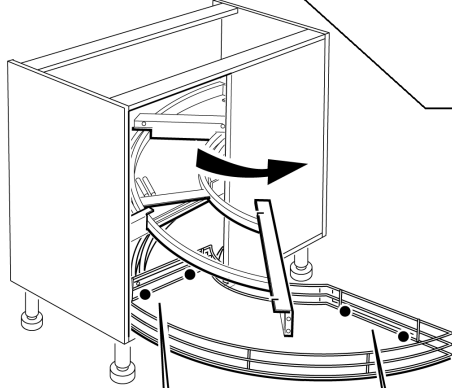
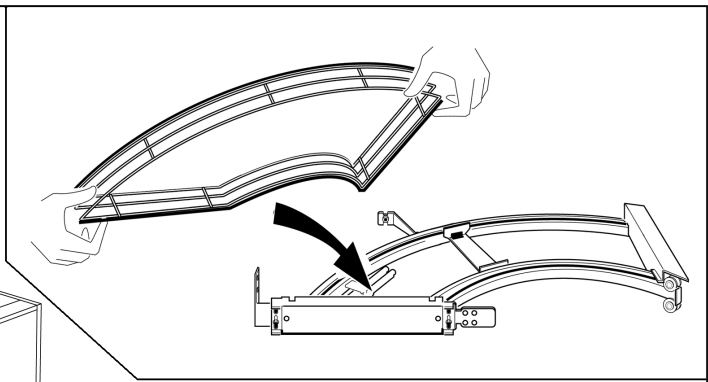


10

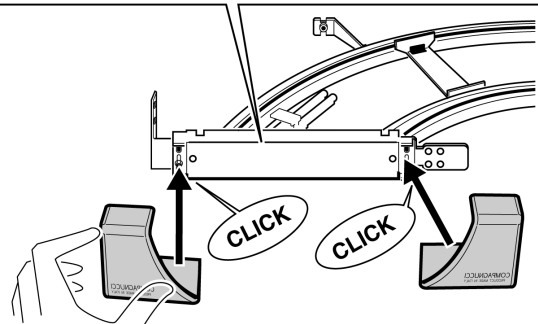
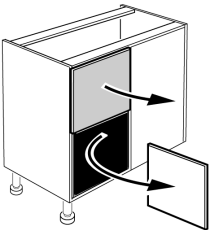
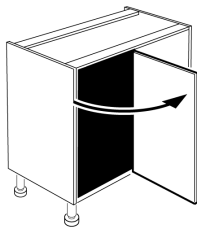
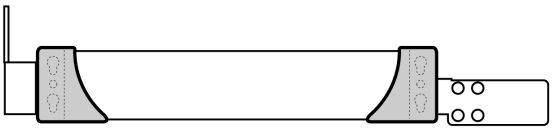




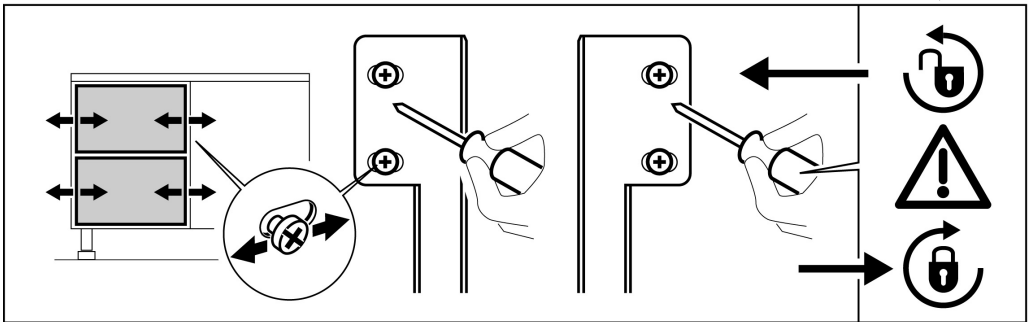
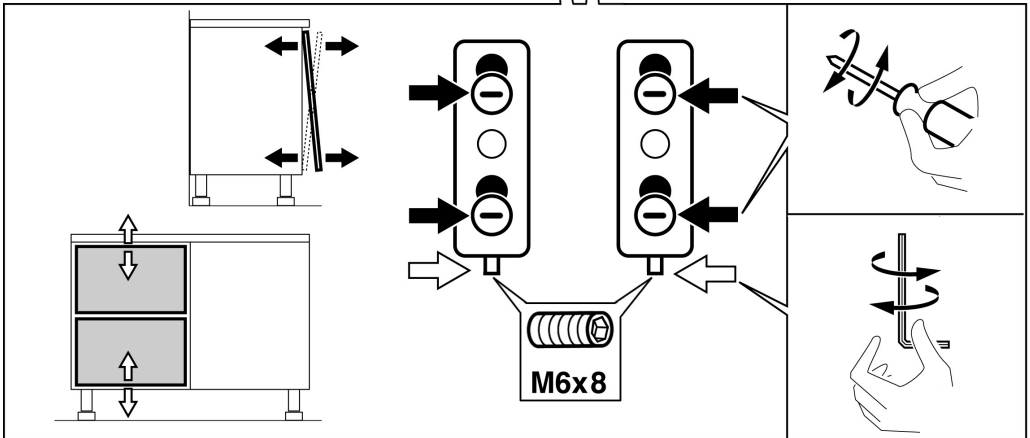
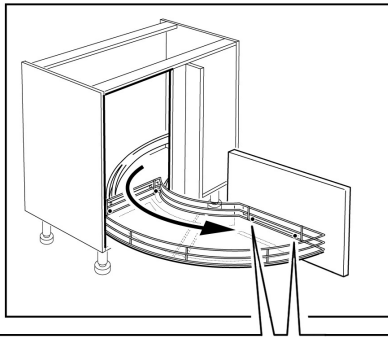
11



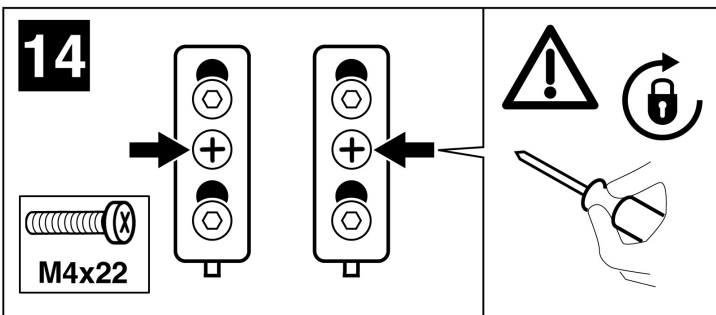
12

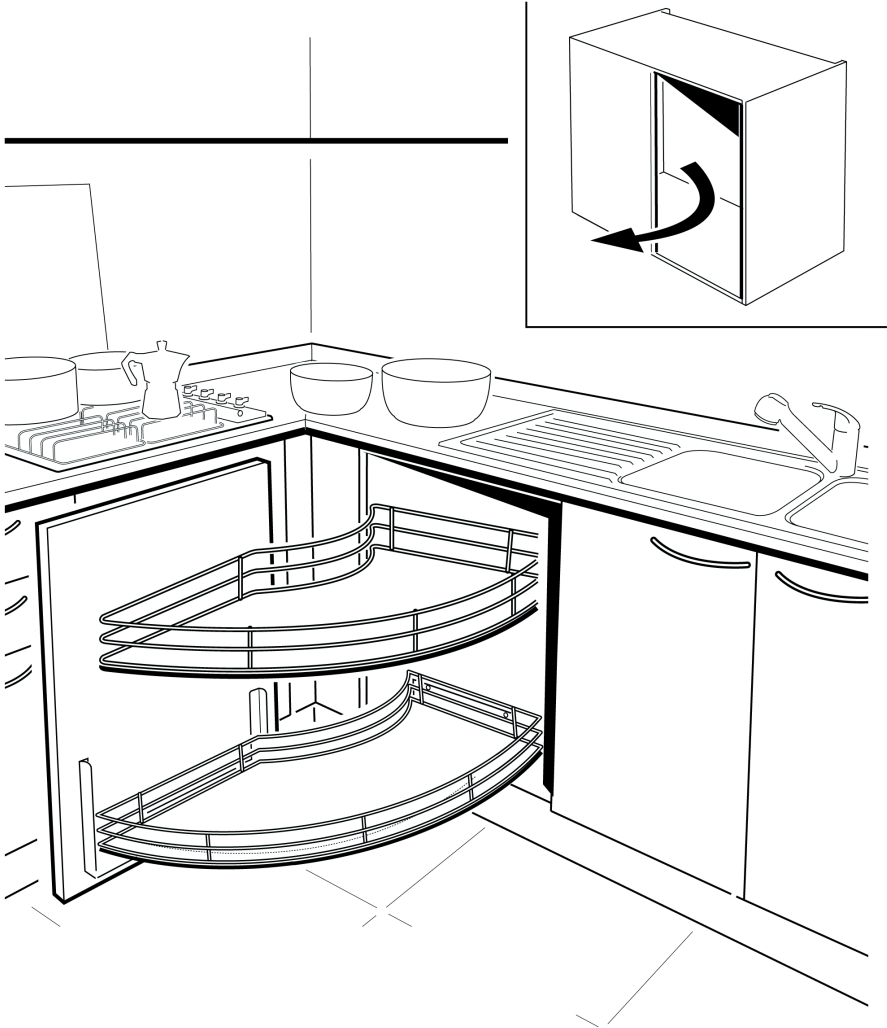


**13**



**14**





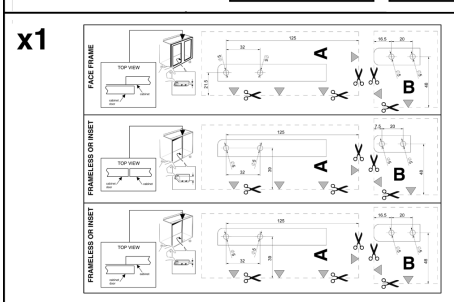
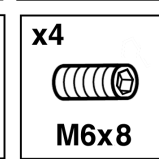
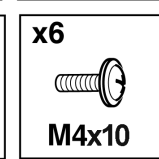
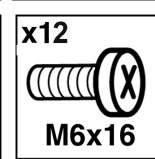
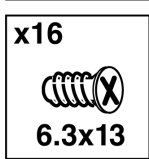
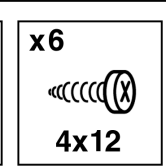
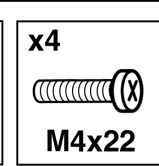
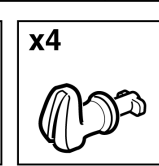
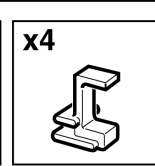
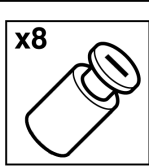
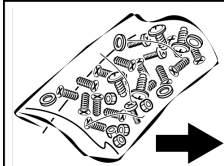
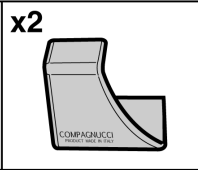
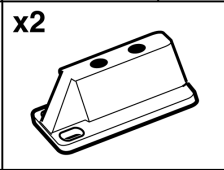
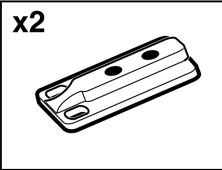
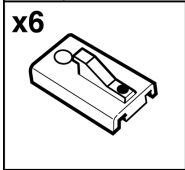
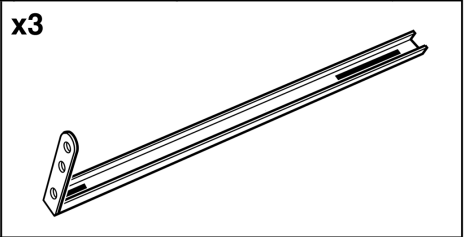
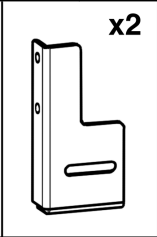
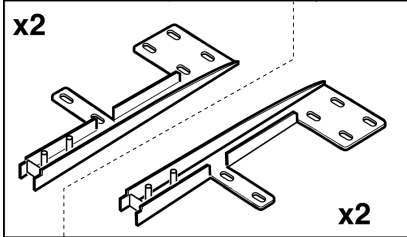
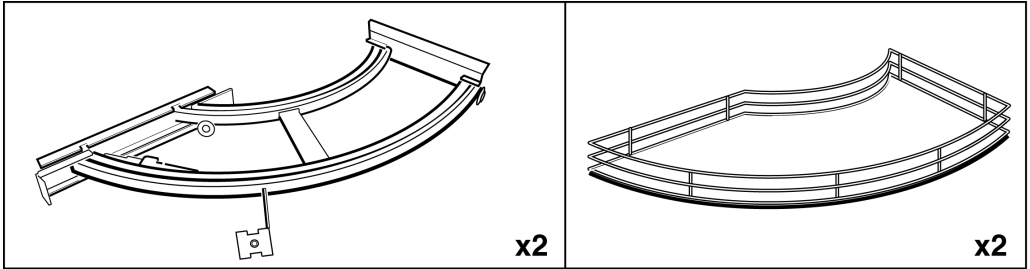
A301STR0423 January, 2012

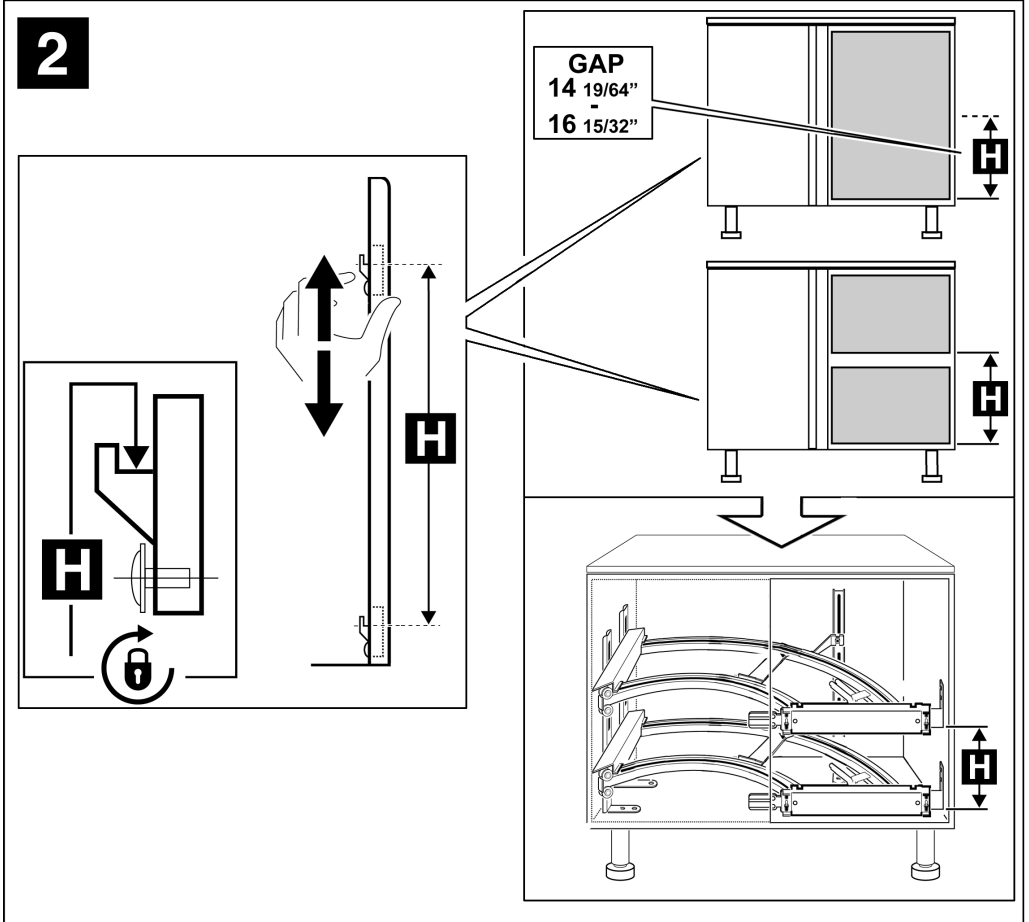
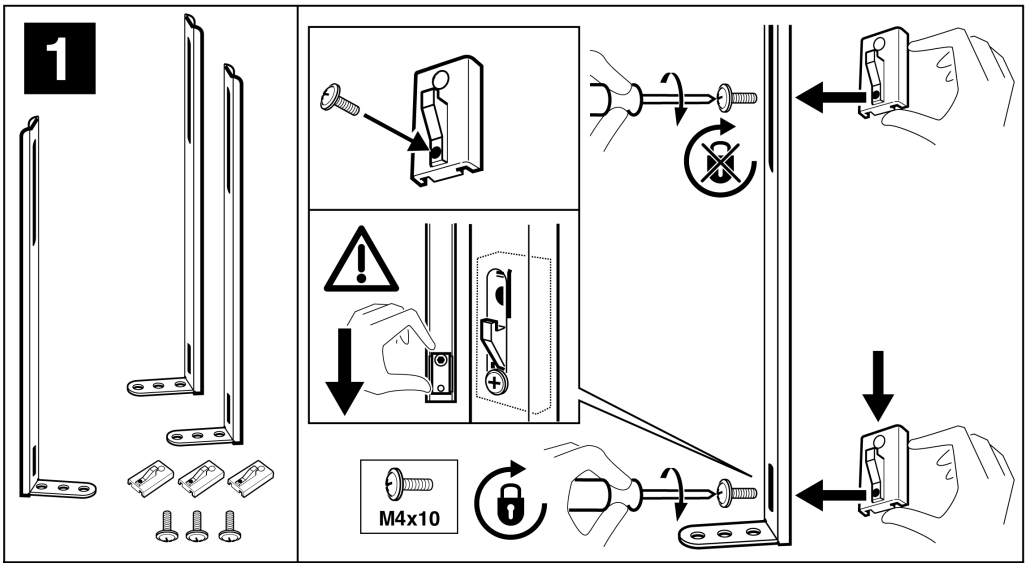
A301STR0423



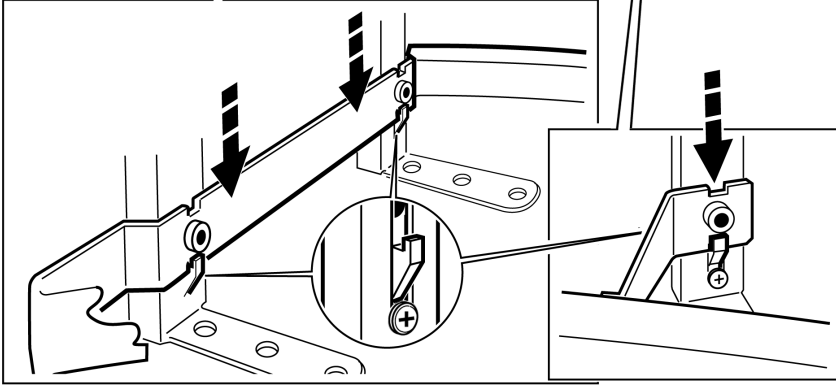
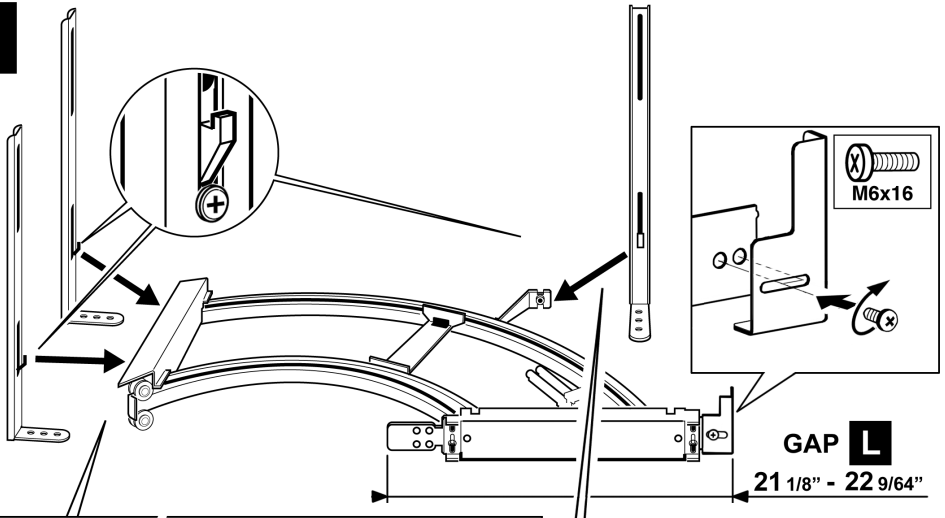
2409 Plantside Drive  
Jeffersontown, Kentucky 40299

Phone: 1-800-626-1126 (toll free)  
[www.rev-a-shelf.com](http://www.rev-a-shelf.com)

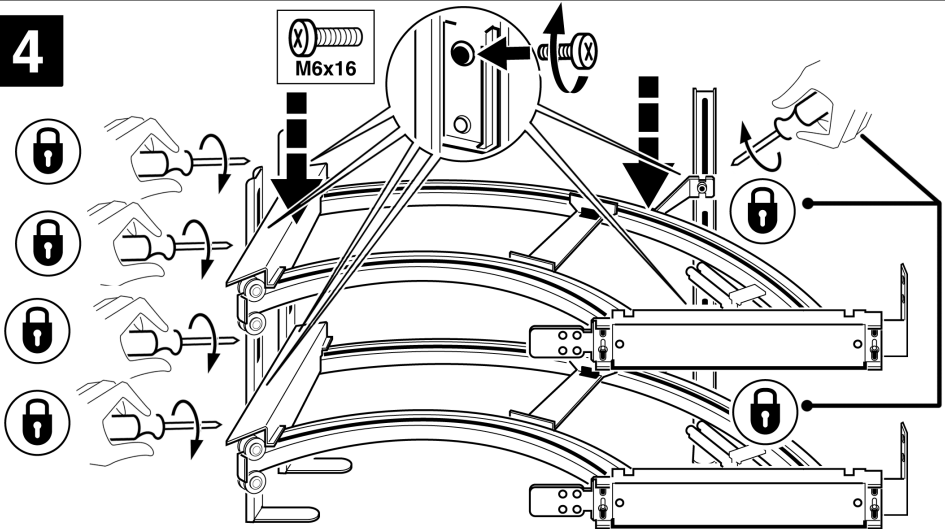




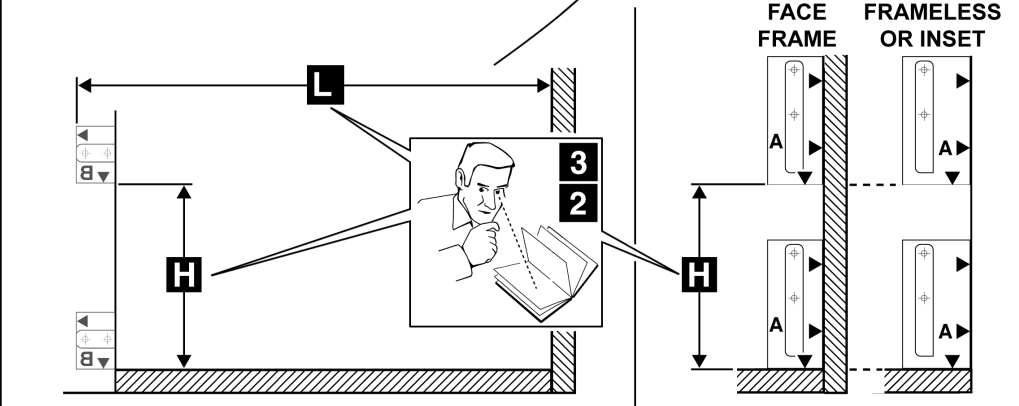
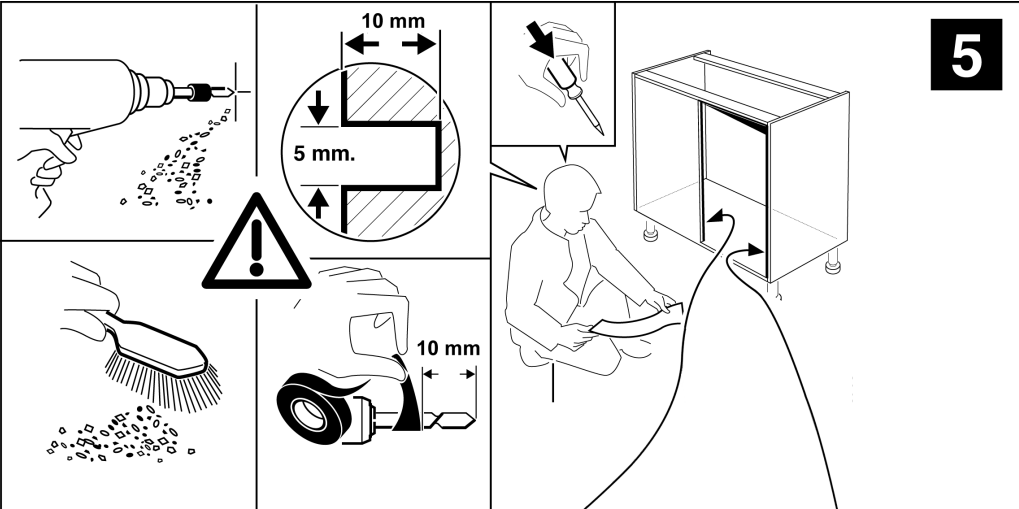
3



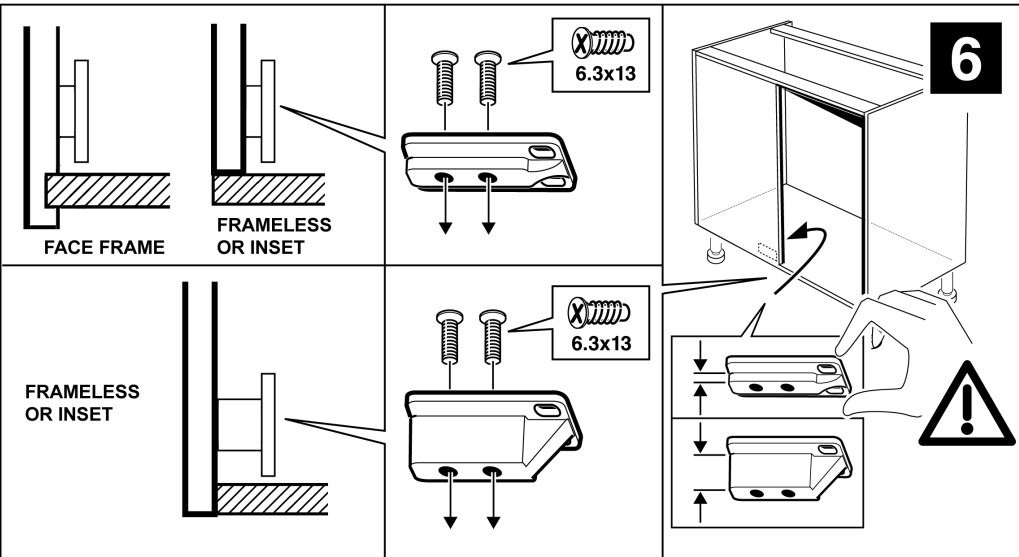
4



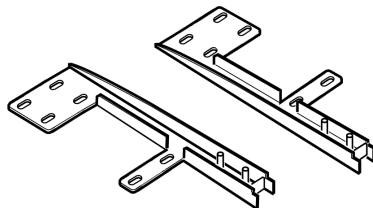
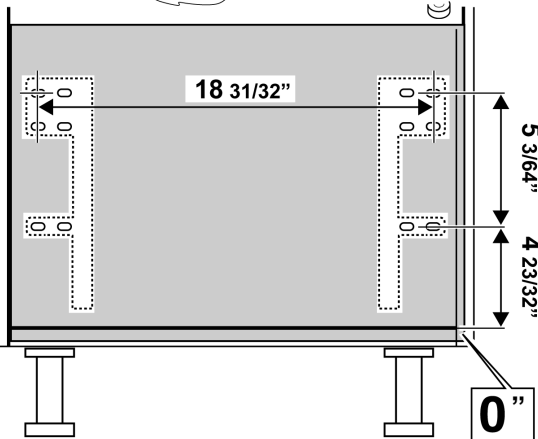
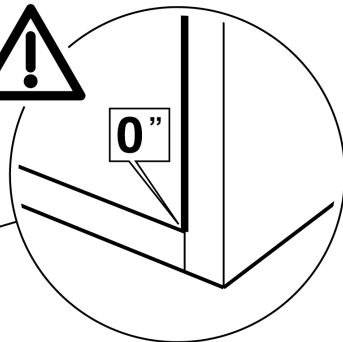
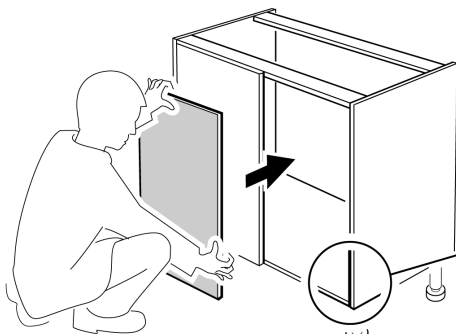
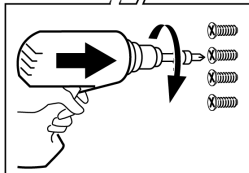
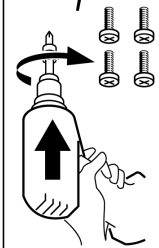
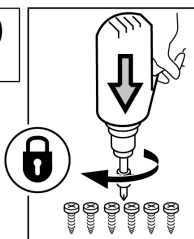
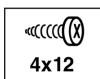
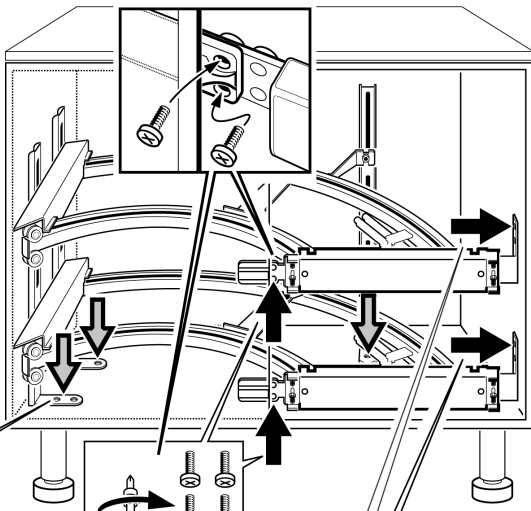
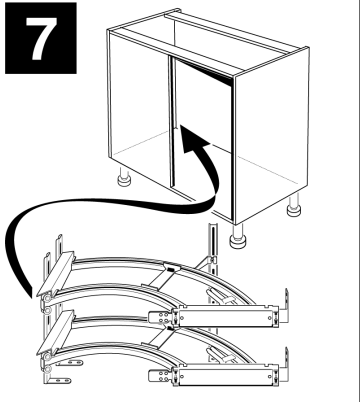
5



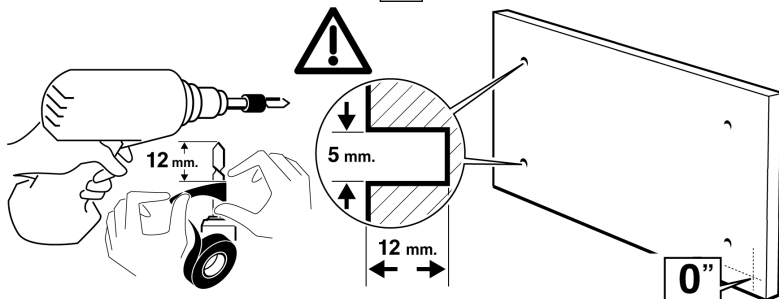
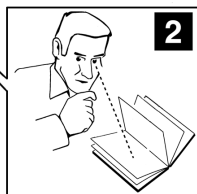
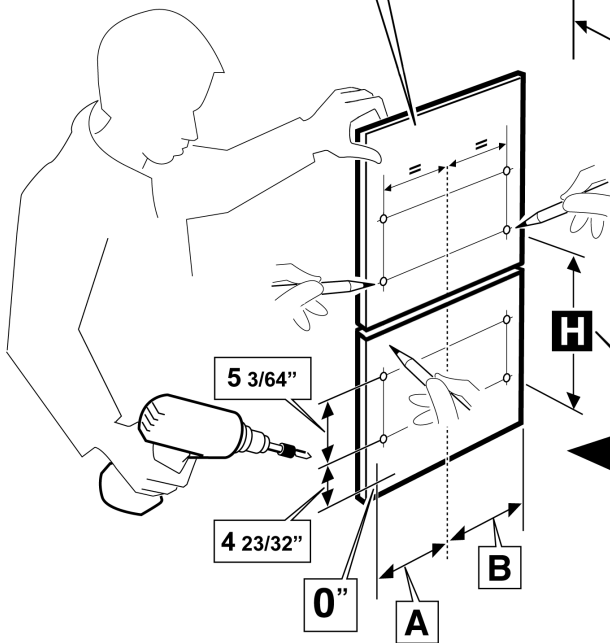
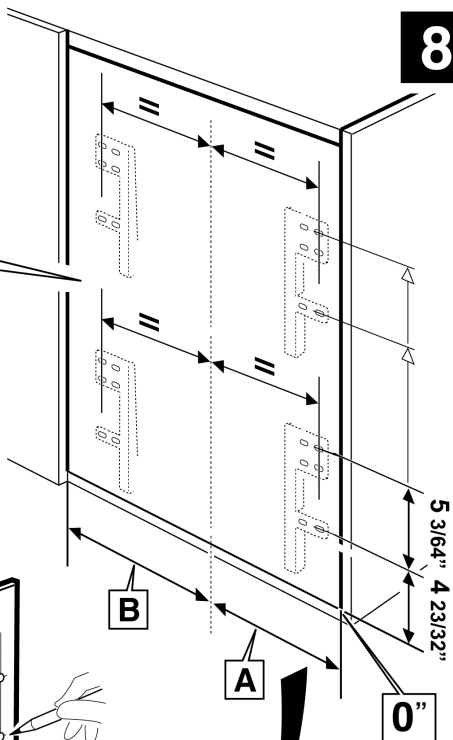
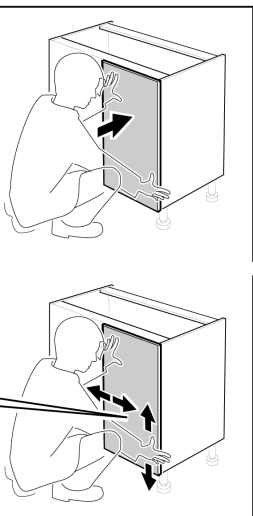
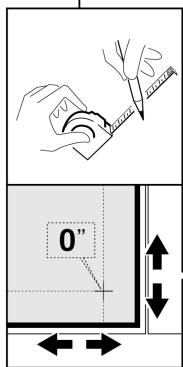
6



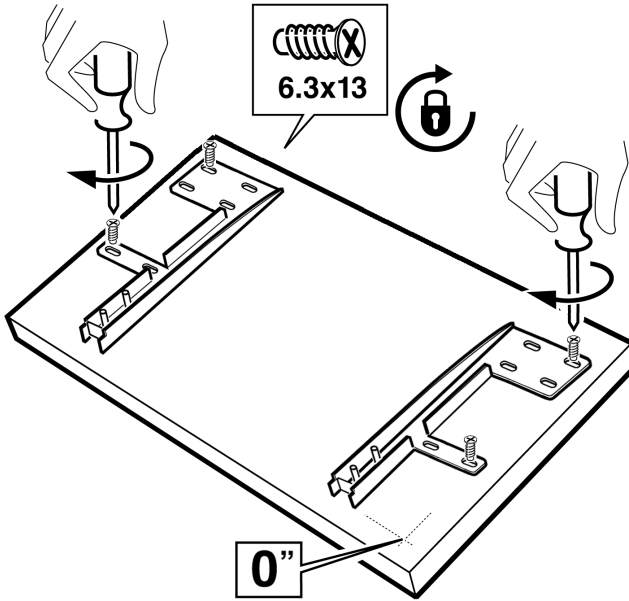
7



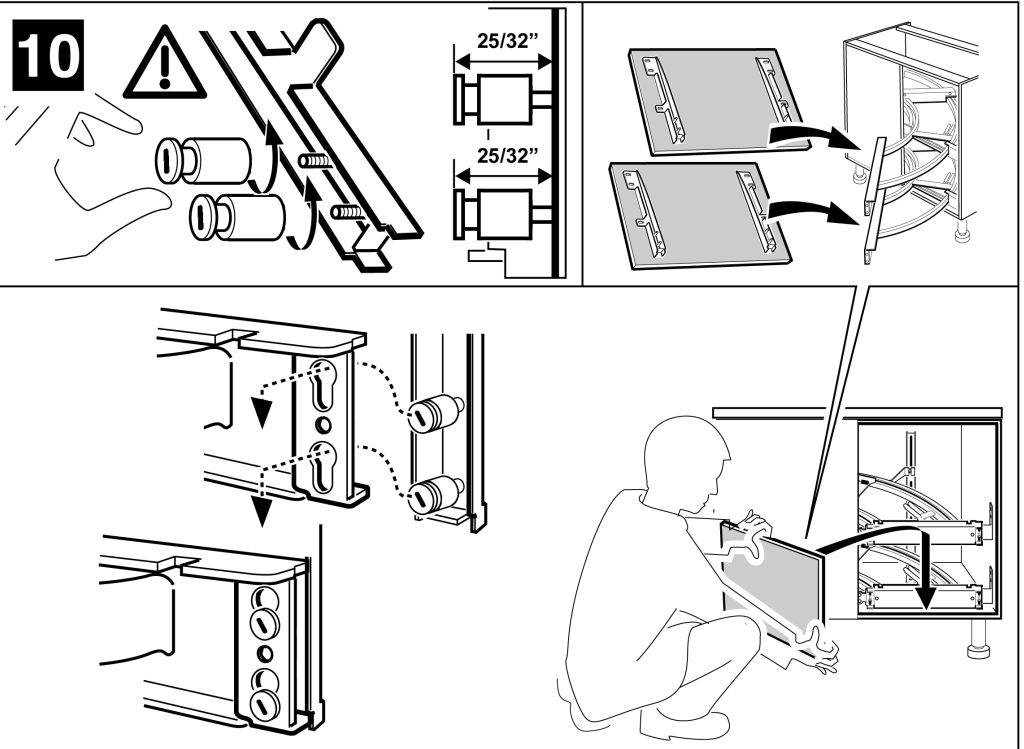


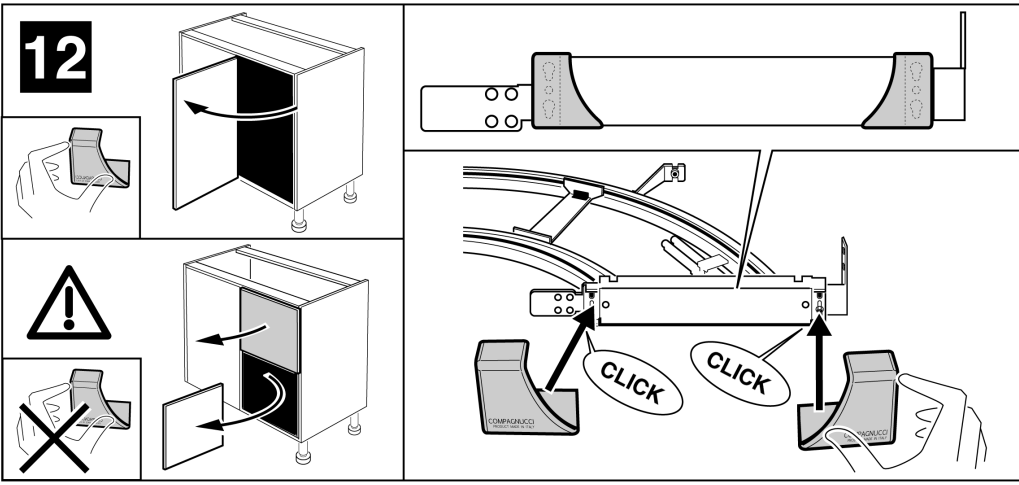
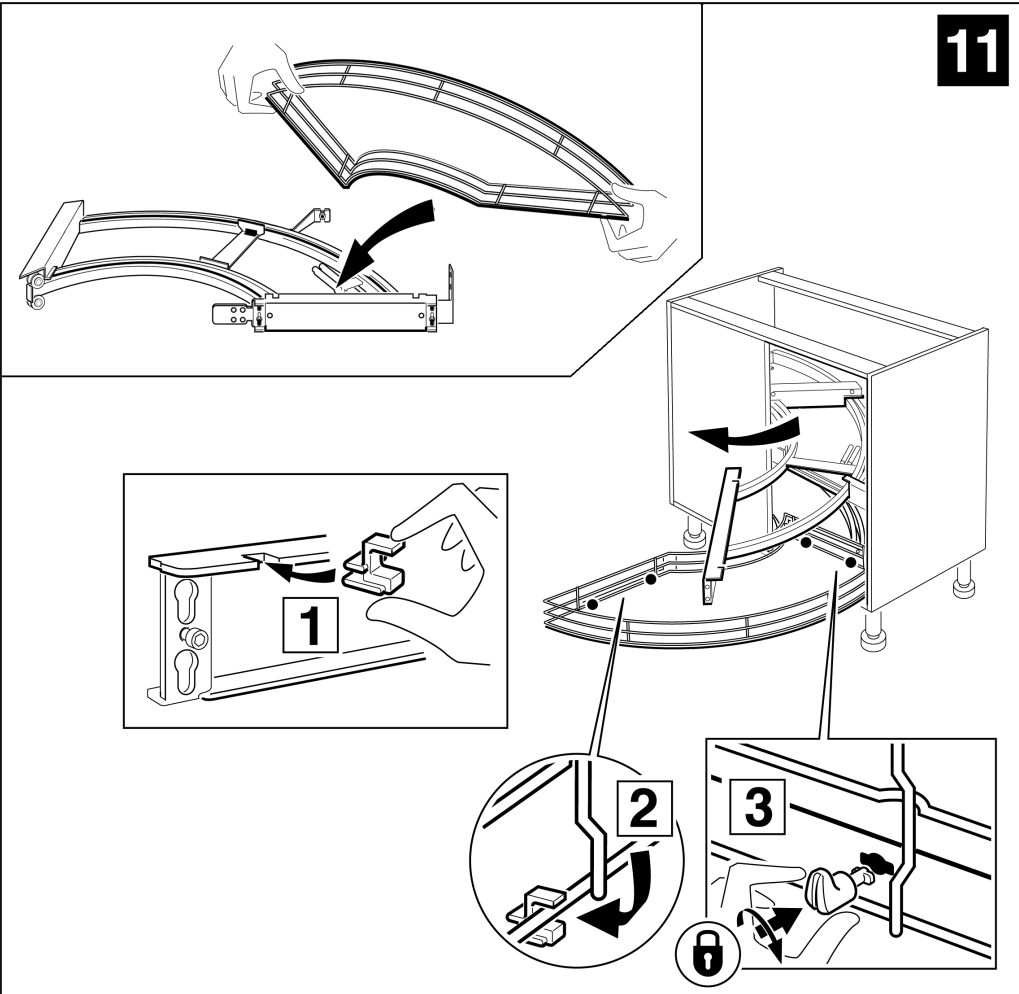


9

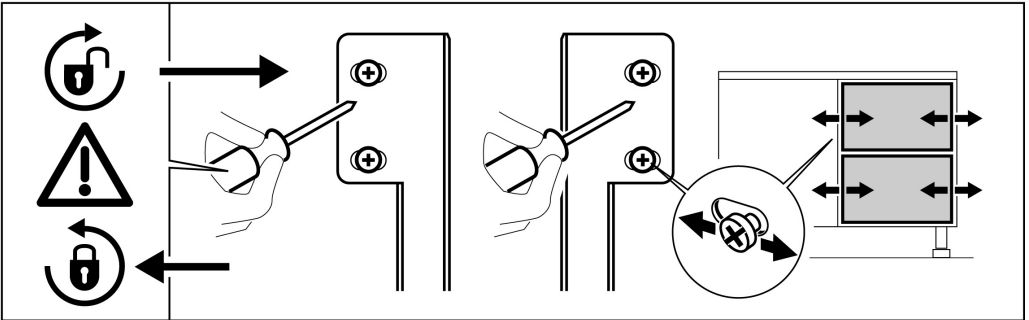
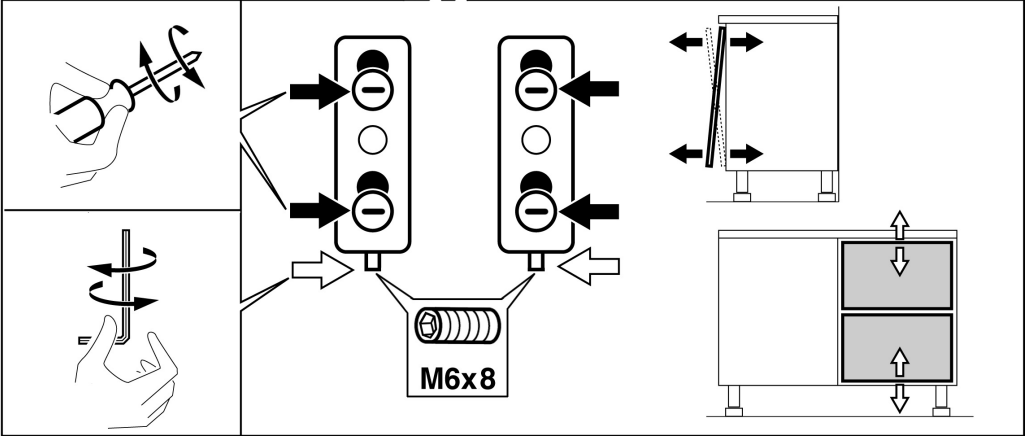
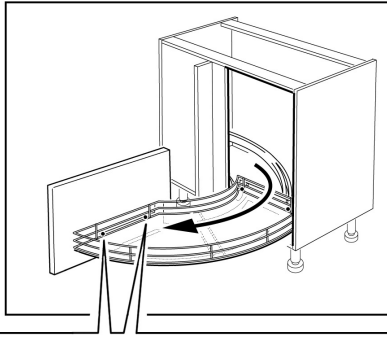


10





# 13



# 14

