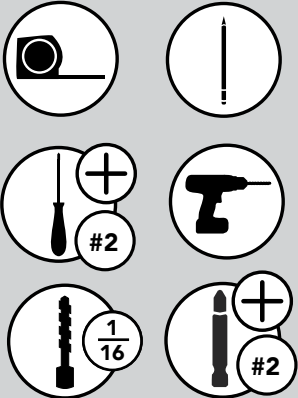


INSTALLATION INSTRUCTIONS

5PSP SOFT-CLOSE CHROME BLIND CORNER ORGANIZER

TOOLS REQUIRED:



ESTIMATED ASSEMBLY TIME:

45 MIN

CARE AND MAINTENANCE:

Clean with a damp cloth and wipe parts dry.

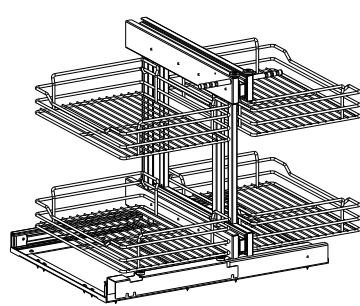
INSTALLATION OPTIONS

5PSPSC-15 (15" Opening) page 2
left handed door

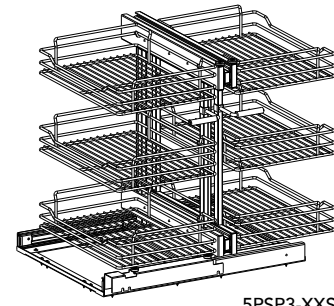
5PSPSC-15 (15" Opening) page 4
right handed door

5PSPSC-18 (18" Opening) page 6
left handed door

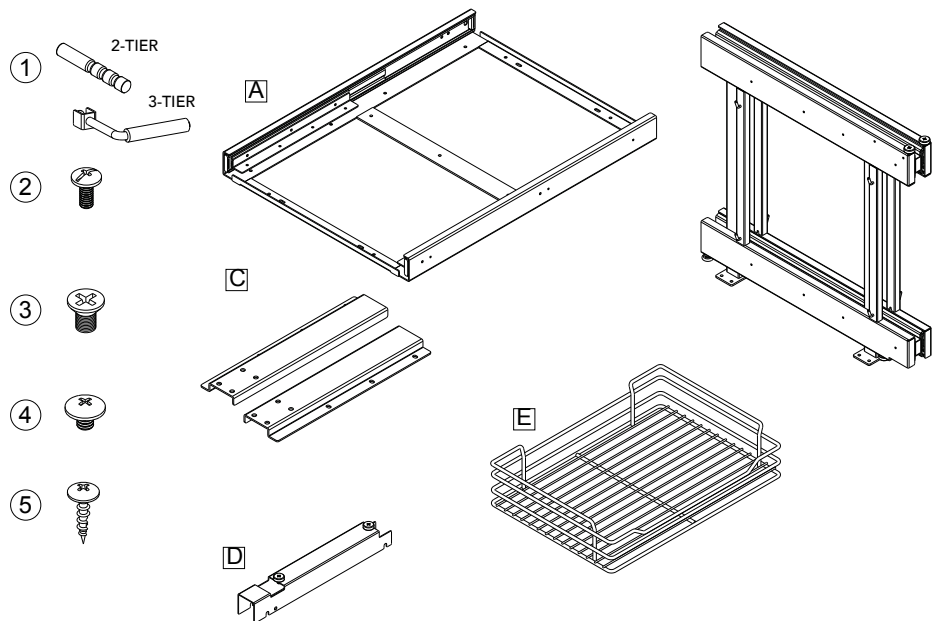
5PSPSC-18 (18" Opening) page 8
right handed door



5PSP-XXSC-CR
for a door drawer application



5PSP3-XXSC-CR
for full height application



FITTING PARTS LIST:

	Description	QTY
1	Handle	2
2	M4x10mm flat-headed screw	2
3	M6x10mm wafer head screw	8
4	M5x6mm flat-headed screw	8
5	5/32 x18mm wood screw	19

PANEL PARTS LIST:

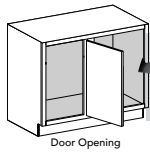
	Description	QTY
A	Base	1
B	Frame	1
C	Foot	1
D	Guide channel	1
E	Basket	4 or 6



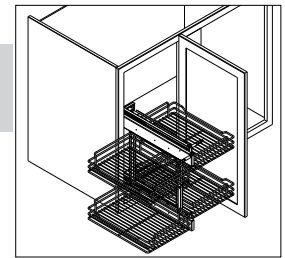
Visit our YouTube Channel for an installation video of this product

[Youtube.com/REVASHELF](https://www.youtube.com/REVASHELF)

I-5PSPSC-TRI-1115



5PSP-15 (LEFT HANDED DOOR/15" OPENING)

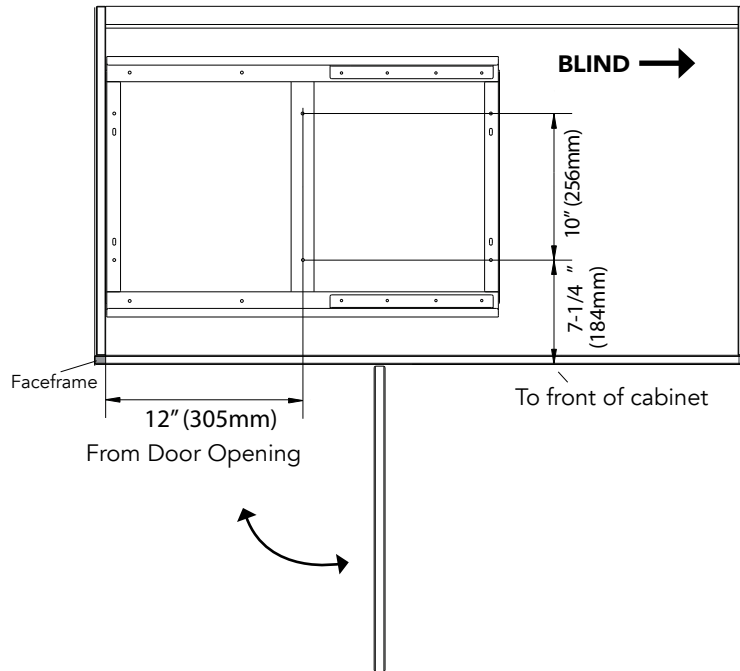


STEP 1

Mount Base (Fig A)

Note: If installing into a face frame cabinet, Slide Base A must be flush with the face frame opening.

Fig A)



STEP 2

Attach the base (A) with slide channel (d) to floor of cabinet (Fig B)

NOTE: Pre-starting the mounting screws (4) is recommended



Fig B)

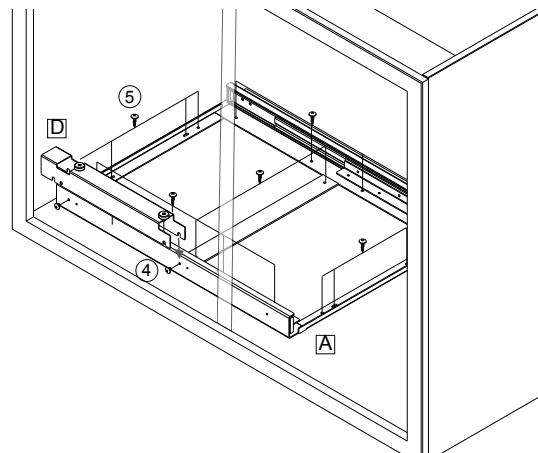


Fig C)

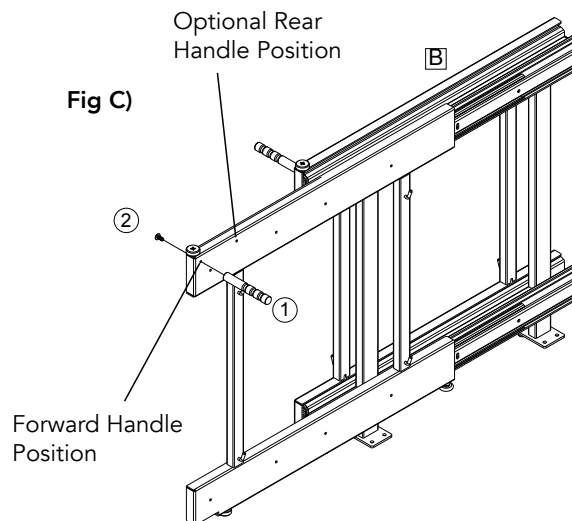
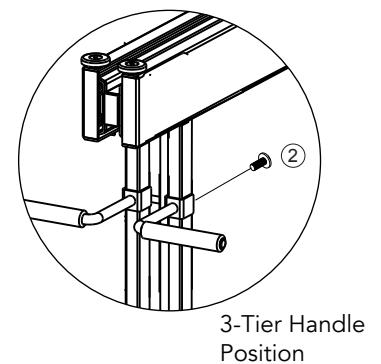
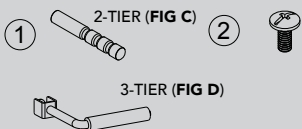


Fig D)



STEP 3

Attach Handles.



STEP 4

Adjust front wheel position for left hand opening. (Fig E)

Attach feet (C) using screw (3) (Fig F)



Fig E)

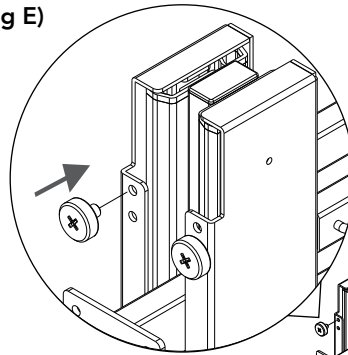
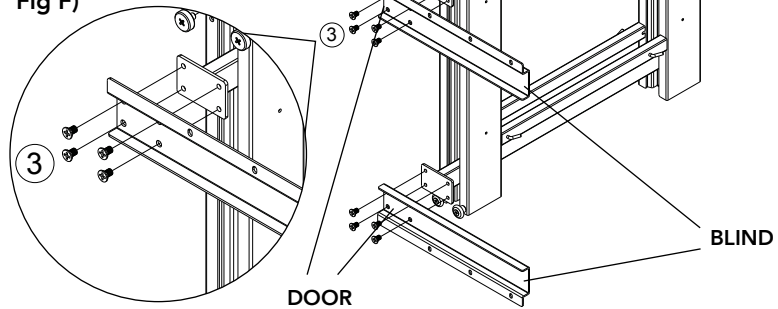


Fig F)



STEP 5

Secure the feet (C) to the base (A) using screw (4) (Fig G)



Fig G)

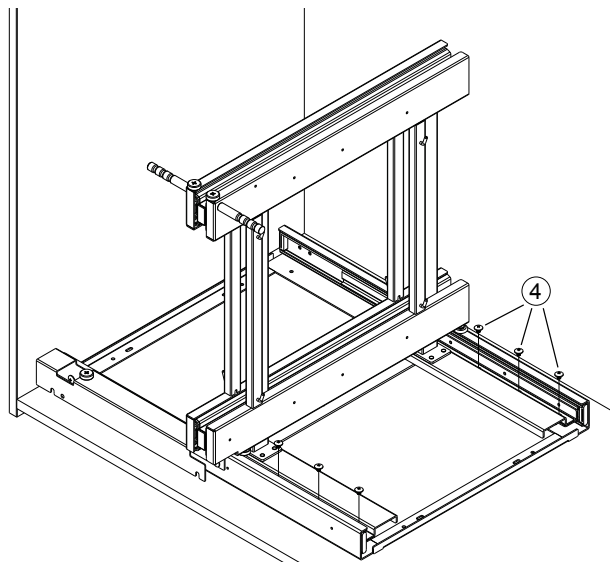
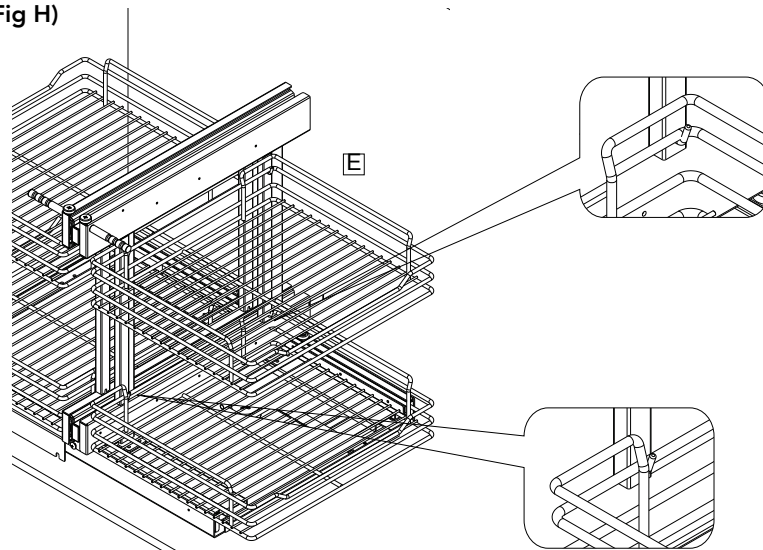
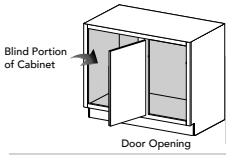


Fig H)

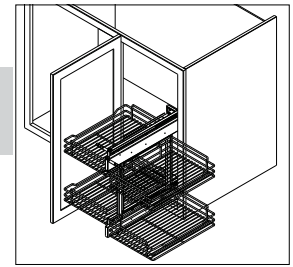
Hang the baskets as shown. (Fig H)

NOTE: Baskets show in forward position. They can be moved to the rearward position for additional clearance. Bottom basket must hang from the 2nd wire from the top.





5PSP-15 (RIGHT HANDED DOOR/15" OPENING)

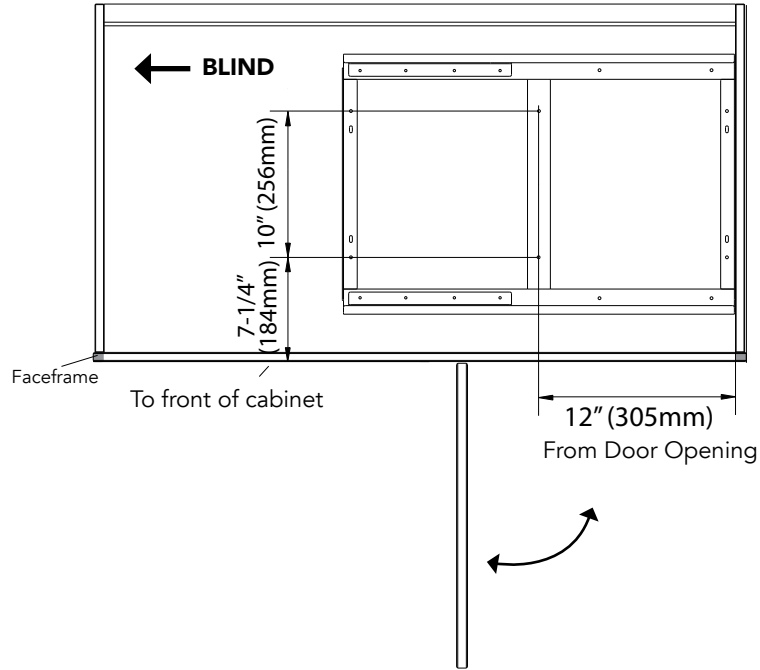


STEP 1

Mount Base (Fig A)

Note: If installing into a face frame cabinet, Slide Base A must be flush with the face frame opening.

Fig A)



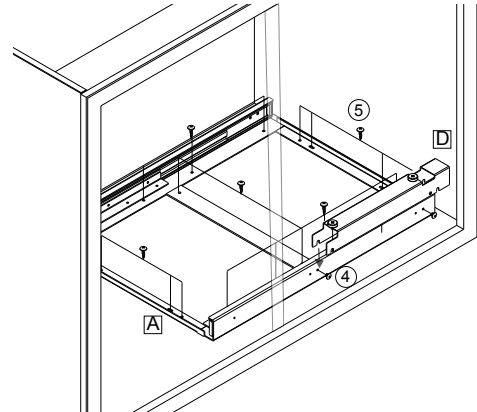
STEP 2

Attach the base (A) with slide channel (d) to floor of cabinet. (Fig B)

NOTE: Pre-starting the mounting screws (4) is recommended



Fig B)



STEP 3

Attach Handles.

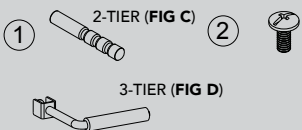


Fig C)

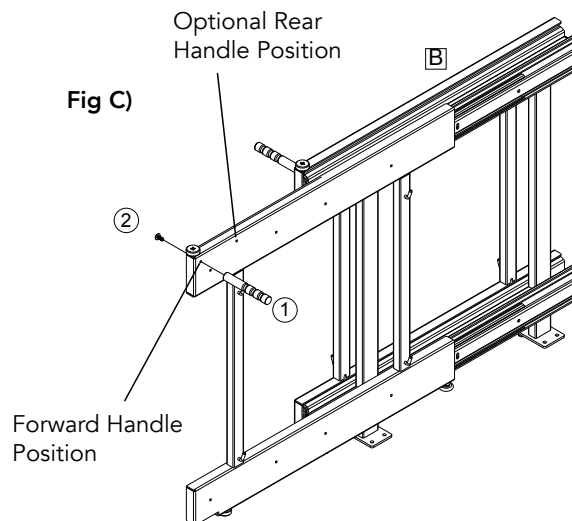
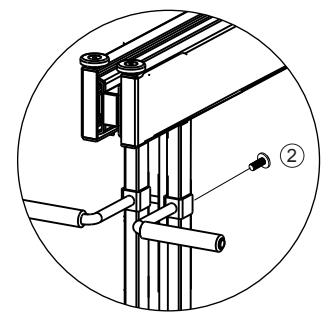


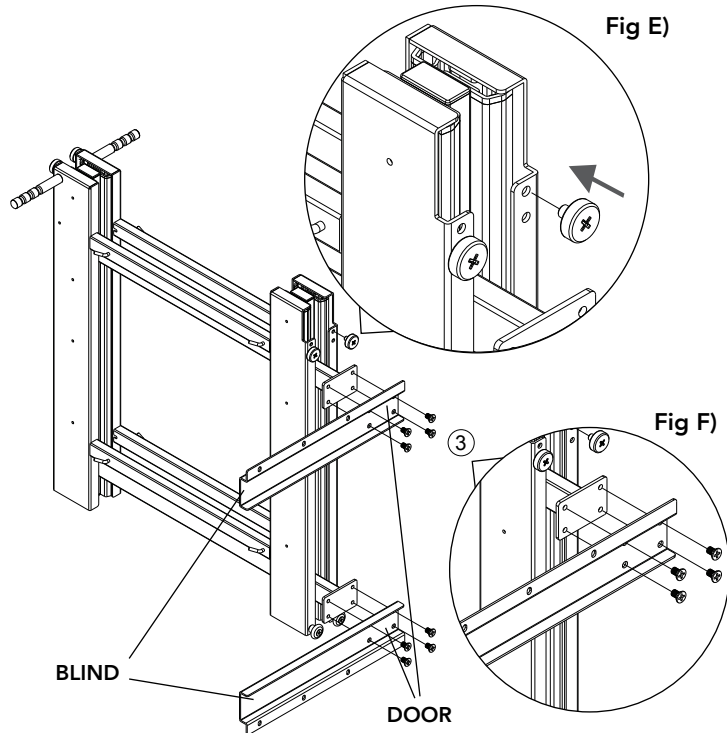
Fig D)



STEP 4

Adjust front wheel position for right hand opening. (Fig E)

Attach feet (C) using screw (3) (Fig F)



STEP 5

Secure the feet (C) to the base (A) using screw (4) (Fig G)



Fig G)

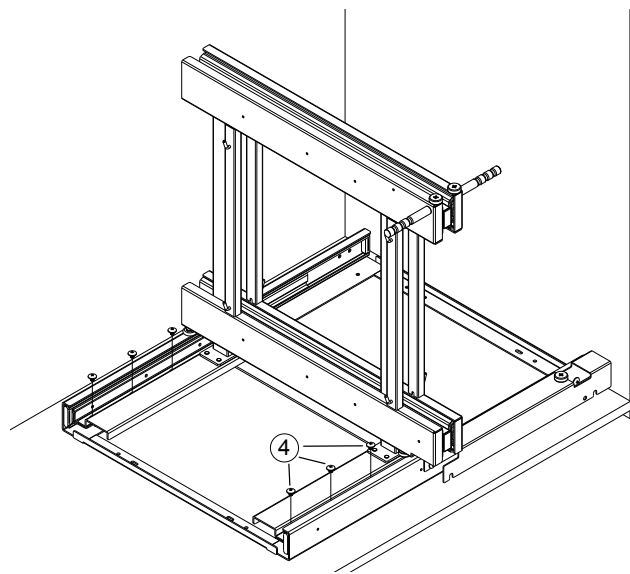
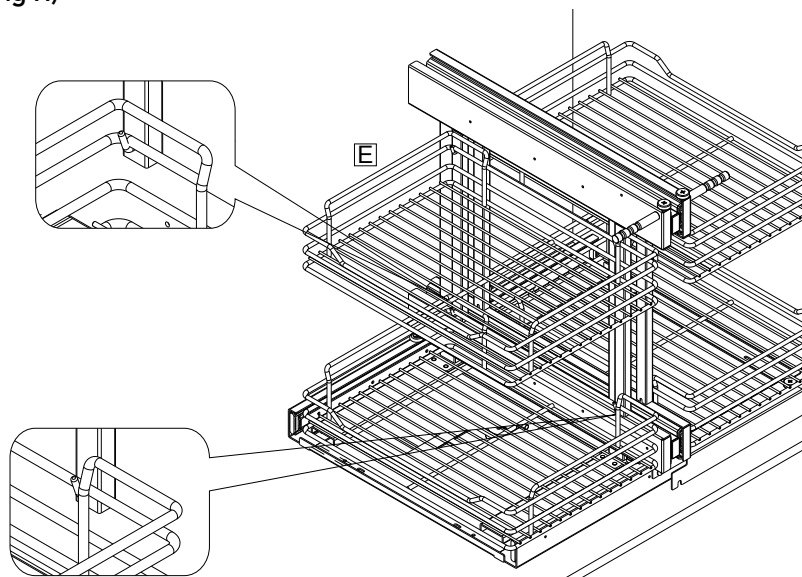


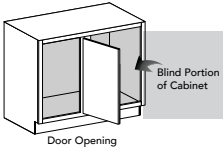
Fig H)

STEP 6

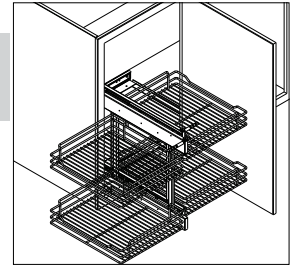
Hang the baskets as shown. (Fig H)

NOTE: Baskets show in forward position. They can be moved to the rearward position for additional clearance. Bottom basket must hang from the 2nd wire from the top.





5PSP-18 (LEFT HANDED DOOR/18" OPENING)



STEP 1

Mount Base (Fig A)

Note: If installing into a face frame cabinet, Slide Base A must be flush with the face frame opening.

Fig A)

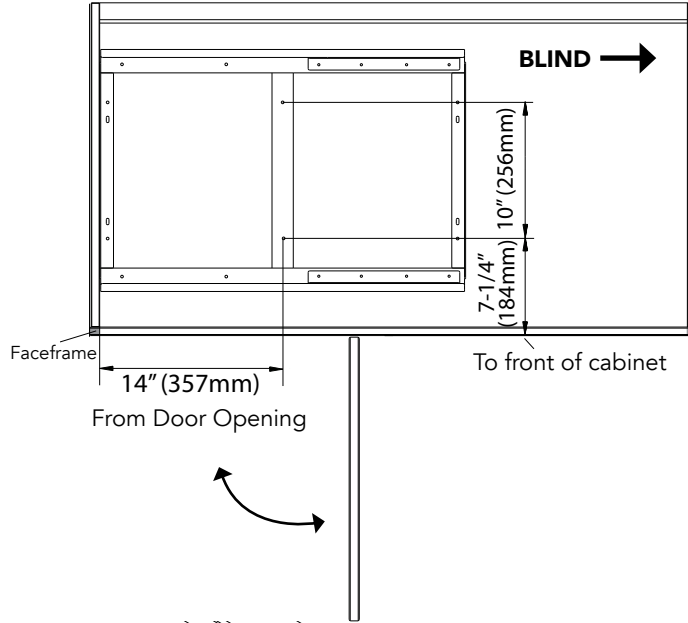
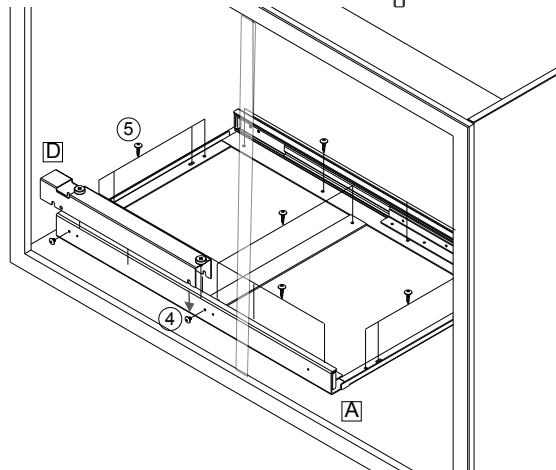


Fig B)



STEP 2

Attach the base (A) with slide channel (d) to floor of cabinet. (Fig B)

NOTE: Pre-starting the mounting screws (4) is recommended



Fig C)

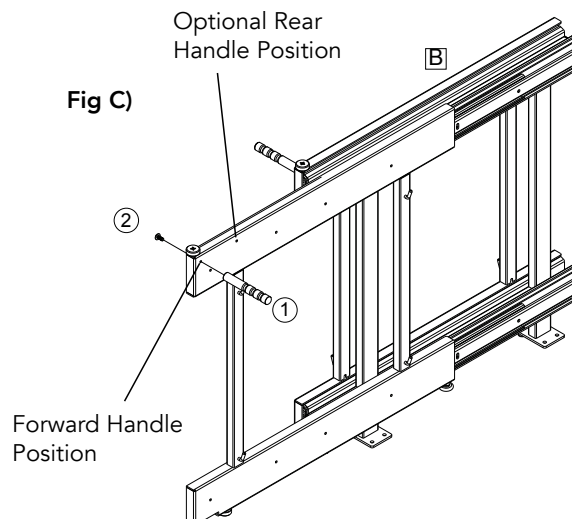
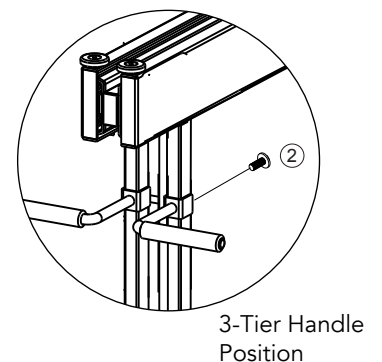
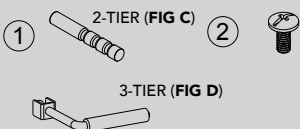


Fig D)



STEP 3

Attach Handles.



STEP 4

Adjust front wheel position for left hand opening. (Fig E)

Attach feet (C) using screw (3) (Fig F)



Fig E)

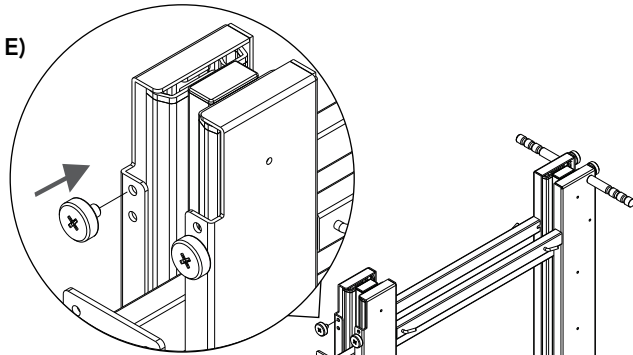
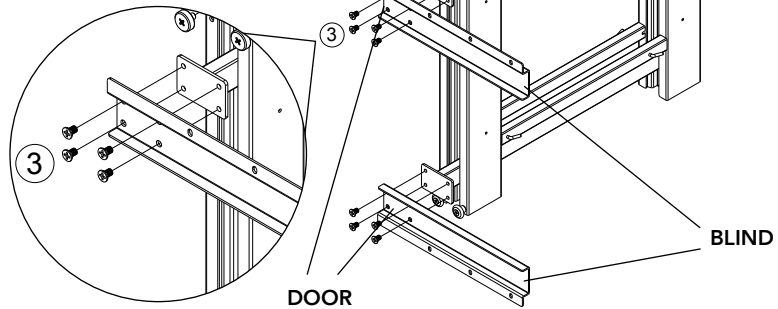


Fig F)



STEP 5

Secure the feet (C) to the base (A) using screw (4) (Fig G)



Fig G)

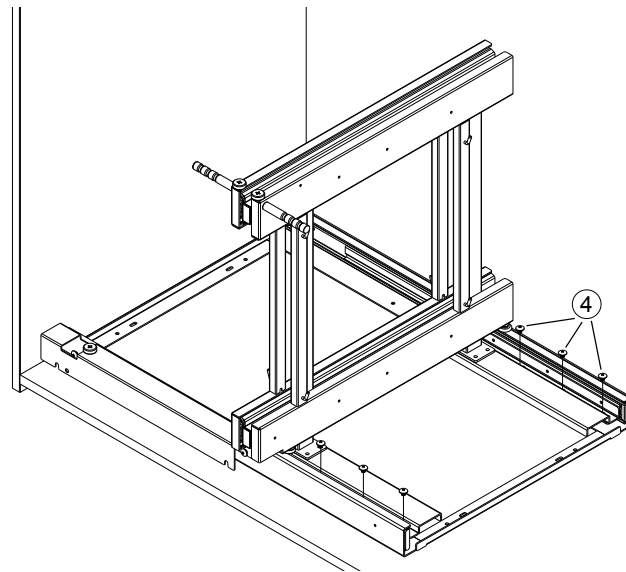
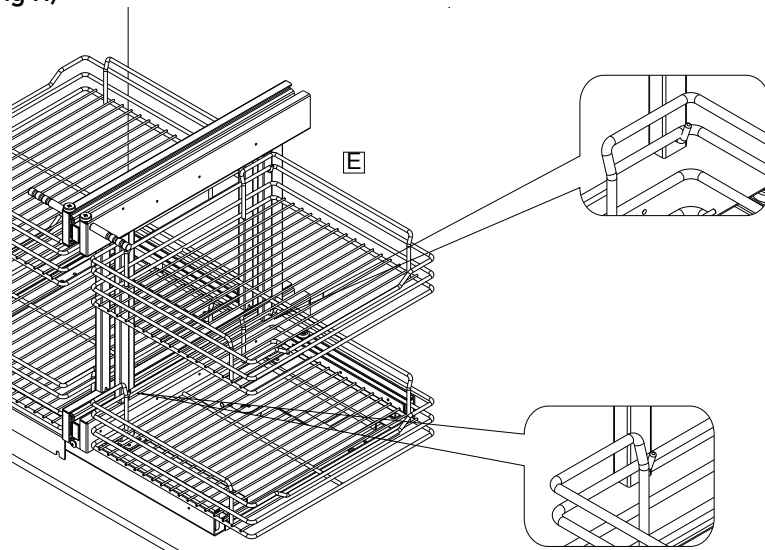
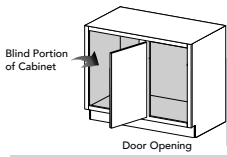


Fig H)

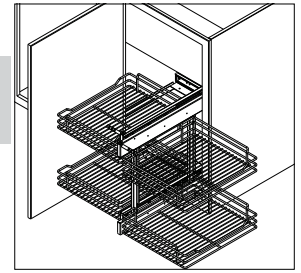


Hang the baskets as shown. (Fig H)

NOTE: Baskets show in forward position. They can be moved to the rearward position for additional clearance. Bottom basket must hang from the 2nd wire from the top.



5PSP-18 (RIGHT HANDED DOOR/18" OPENING)

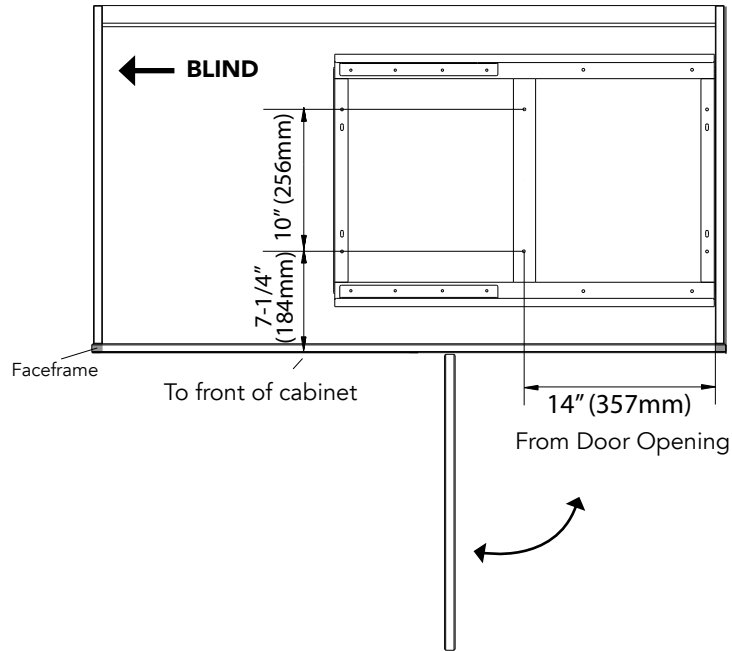


STEP 1

Mount Base (Fig A)

Note: If installing into a face frame cabinet, Slide Base A must be flush with the face frame opening.

Fig A)



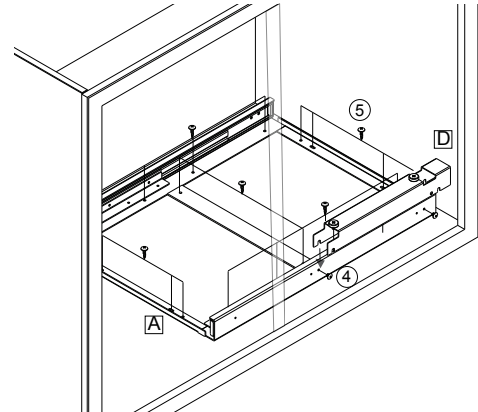
STEP 2

Attach the base (A) with slide channel (d) to floor of cabinet (Fig B)

NOTE: Pre-starting the mounting screws (4) is recommended



Fig B)



STEP 3

Attach Handles.

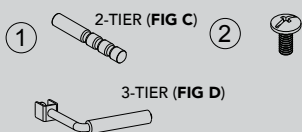


Fig C)

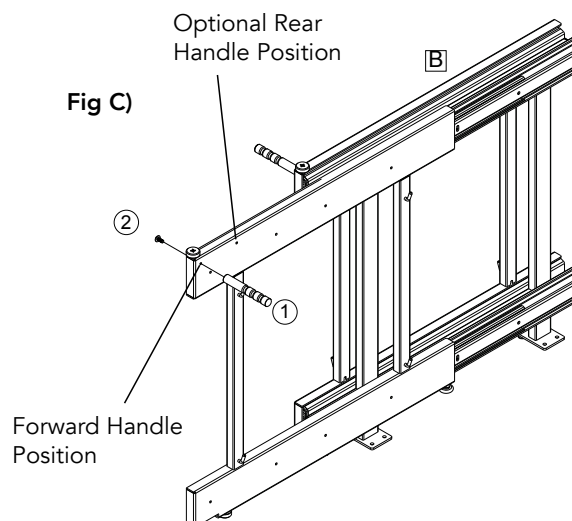
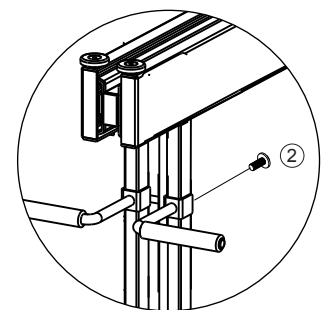


Fig D)

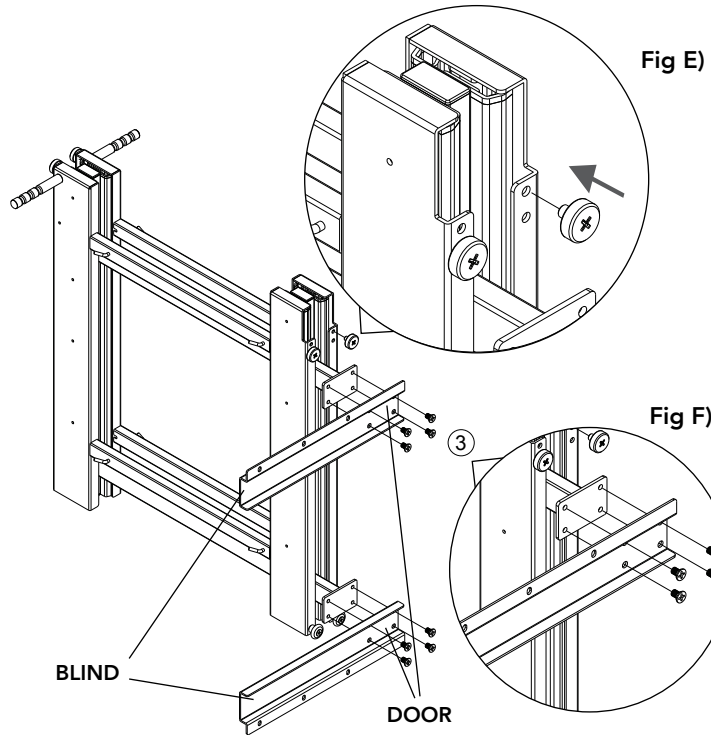


3-Tier Handle Position

STEP 4

Adjust front wheel position for right hand opening. (Fig E)

Attach feet (C) using screw (3) (Fig F)



STEP 5

Secure the feet (C) to the base (A) using screw (4) (Fig G)



Fig G)

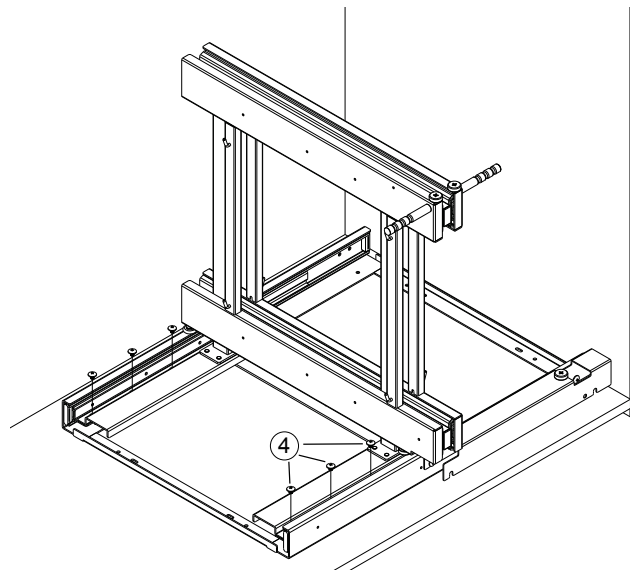


Fig H)

STEP 6

Hang the baskets as shown. (Fig H)

NOTE: Baskets show in forward position. They can be moved to the rearward position for additional clearance. Bottom basket must hang from the 2nd wire from the top.

