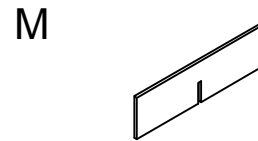
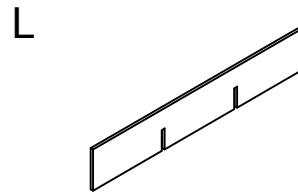
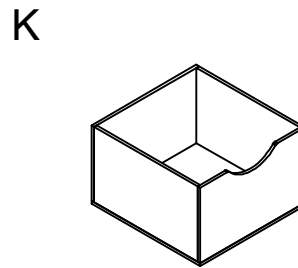
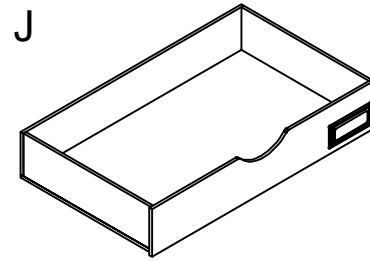
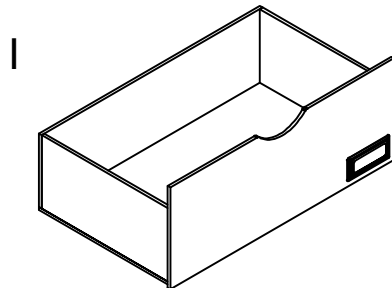
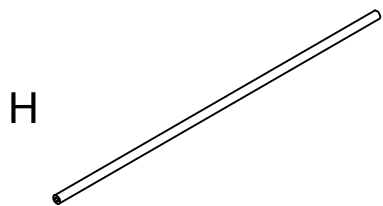
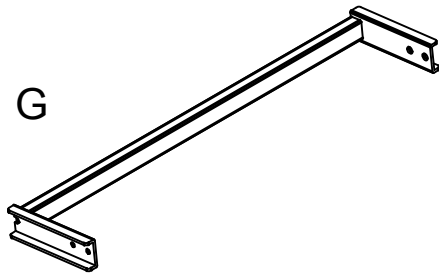
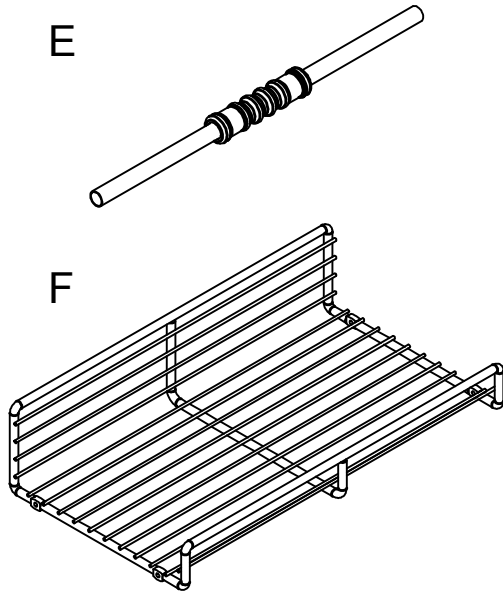
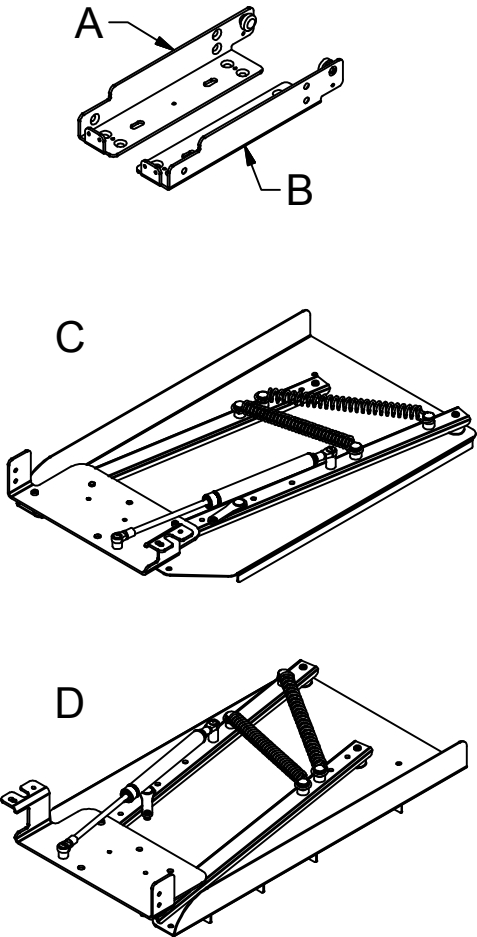
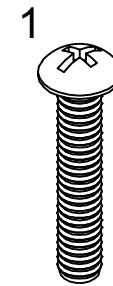


Component		
No.	Description	Qty
A	Base Left	1
B	Base Right	1
C	Left kit	1
D	Right kit	1
E	Handle	1
F	Wire Basket	2
G	Synchronization	1
H	Bar	1
I	Large drawer	1
J	Small drawer	2
K	Top bin	2
L	Long divider	1
M	Short divider	2



Fittings		
No.	Description	Qty
1	1-1/4" x 1/4" Screw	4
2	1/4" Cap Nut	4
3	Washer	4
4	M5x12 (Pan Haed Screw)	8
5	Wood screw	16
6	M4x6 Screw	6
7	M5x12 (flat head Screw)	2
8	Logo Cover	4



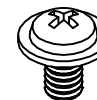
2



3



4



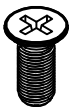
5



6



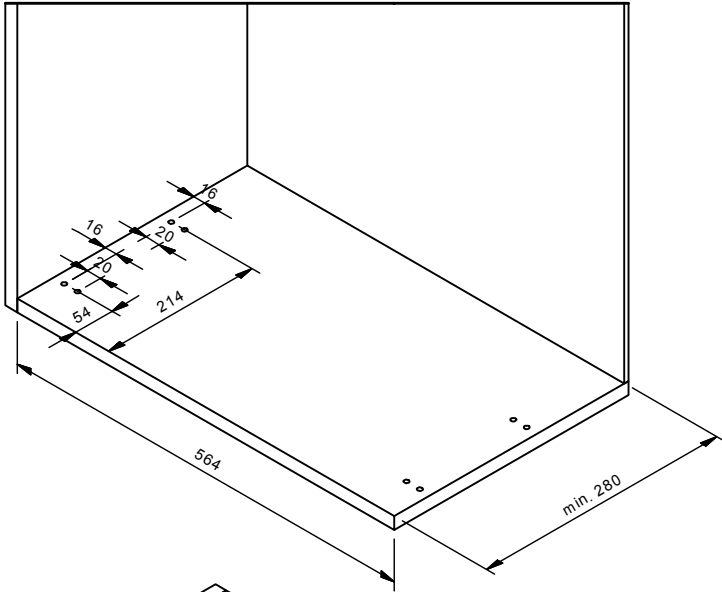
7



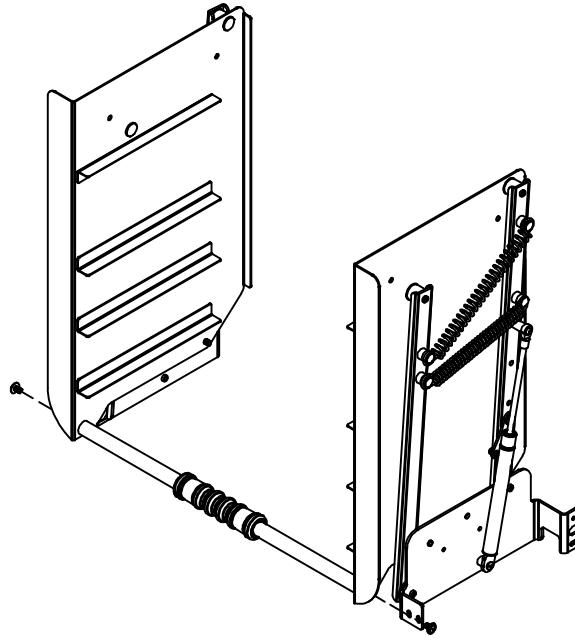
8



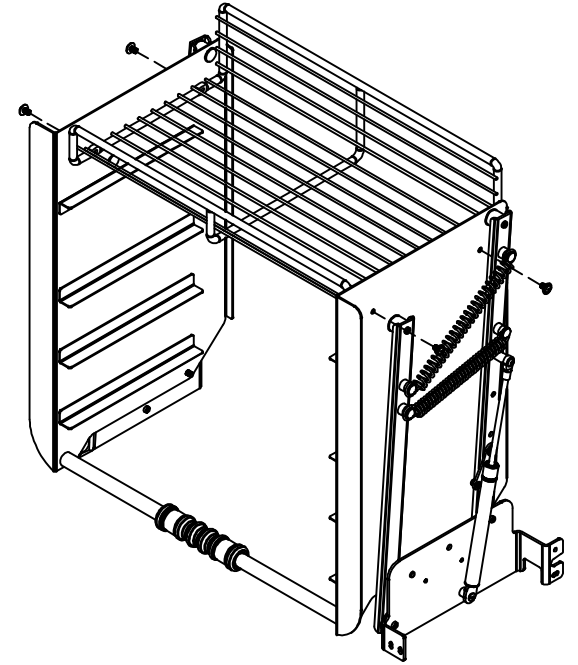
Plank Dimension



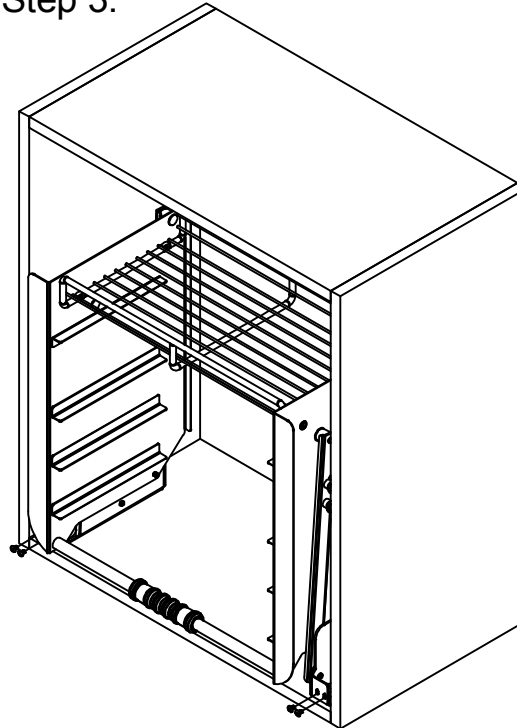
Step 1.



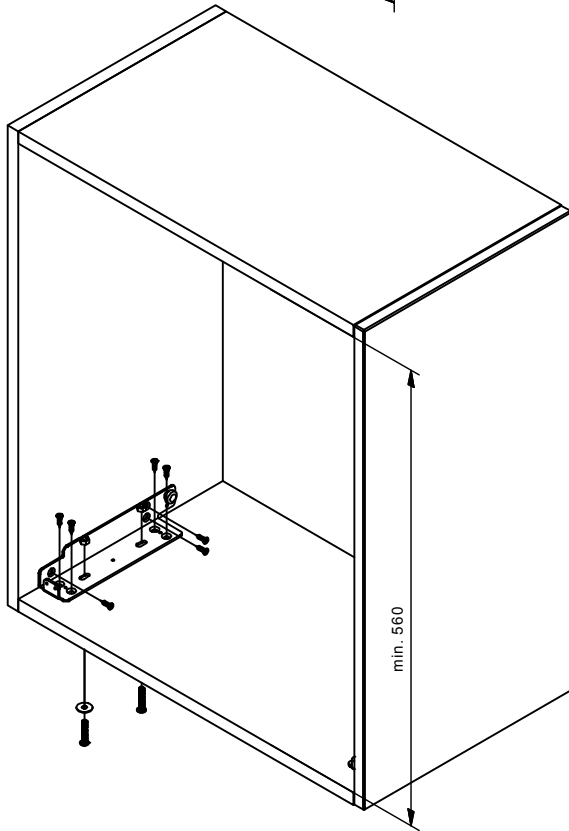
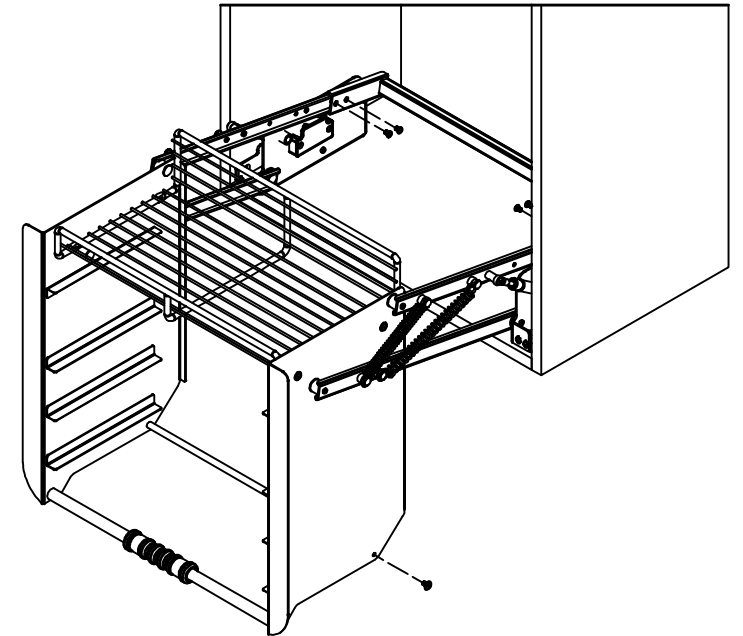
Step 2.



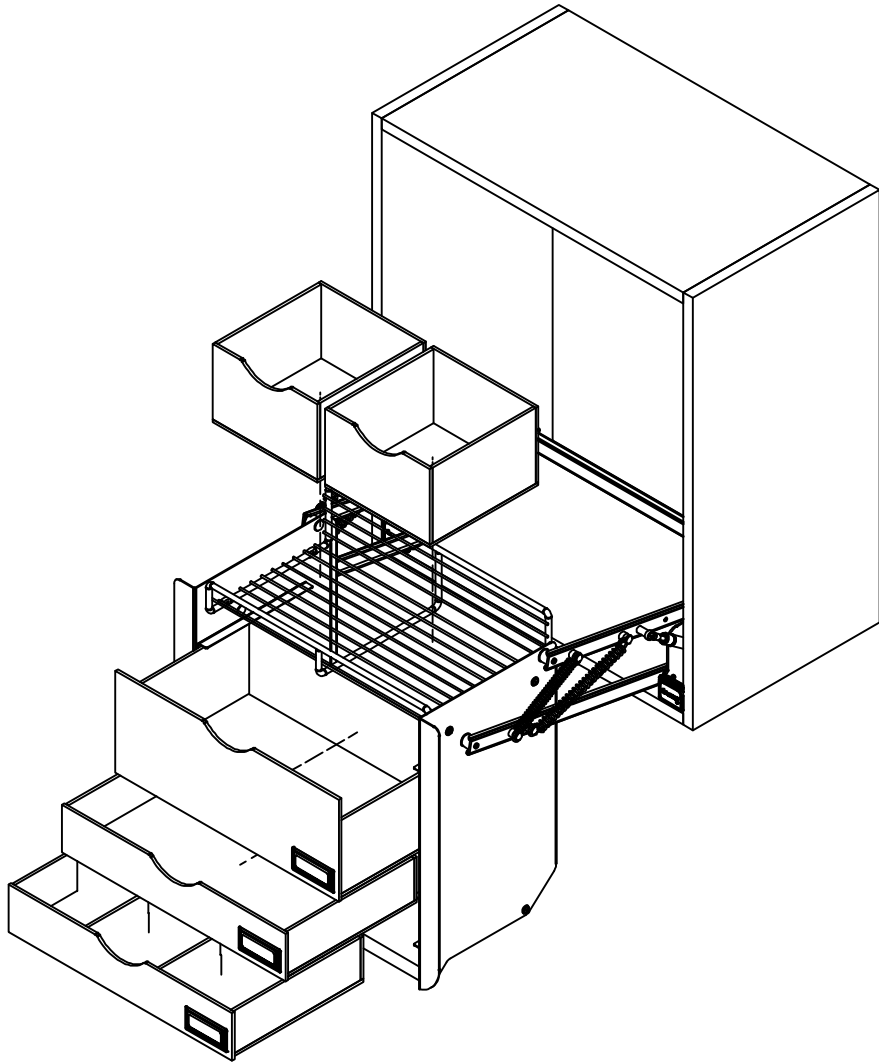
Step 3.



Step 4.



Step 5.



Step 6.

