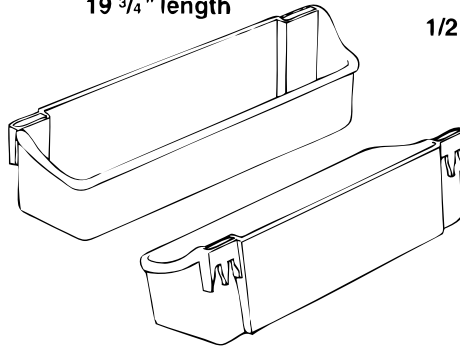


Installation Instructions for DOOR STORAGE UTILITY TRAYS

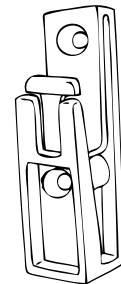
TOOLS REQUIRED: (Screw-In Clip Installation only)
 Soft lead pencil (for marking screw locations),
 Drill with a 3/32" diameter drill bit
 #2 Phillips screwdriver
 Any kind of tape and a tape measure or level may be desired.

DOOR STORAGE UTILITY TRAYS

SIZES: 7 7/8" length
 13 1/2" length
 19 3/4" length

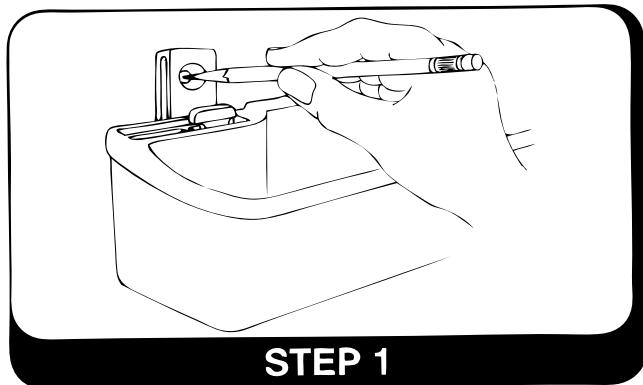


1/2" x #6 SCREWS



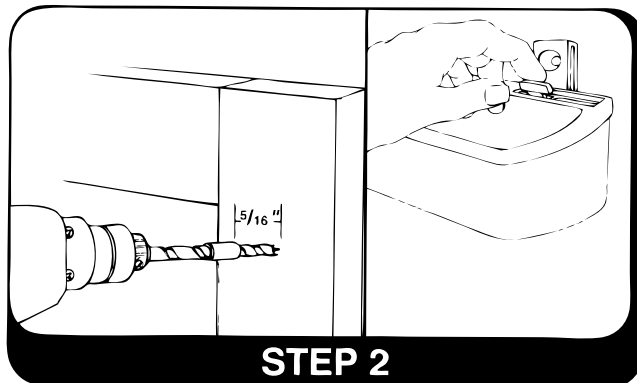
NOTE: Two slots are provided at each end of tray to allow for varied surface locations.

SCREW-IN CLIP



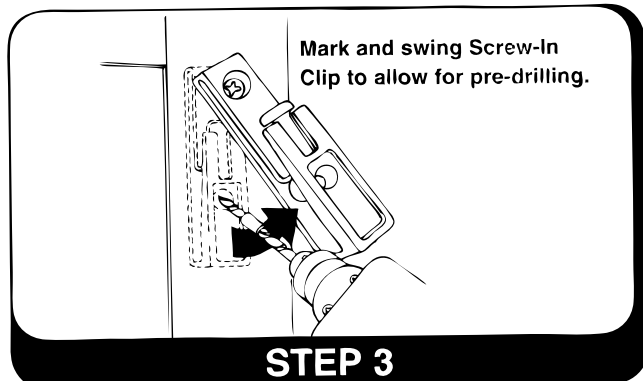
STEP 1

Screw-In Clip Installation - Snap one clip into the slot at each end of the tray. Hold the shelf in place and mark the screw locations using the upper holes in each clip. **Note:** Before marking the screw locations, you may want to use a level or tape measure to insure that the tray is straight.



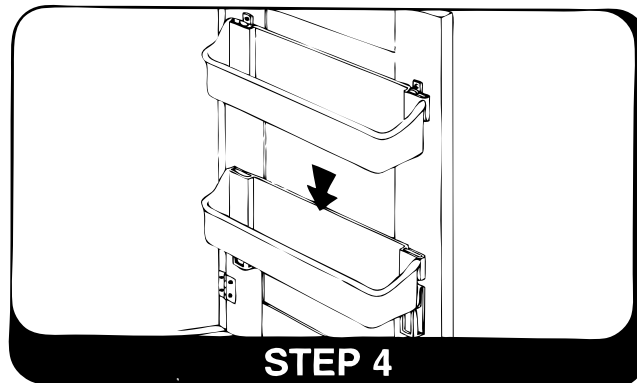
STEP 2

Remove the clips from the tray by disengaging spring hook as shown. Using 3/32" drill bit, prepare to drill pilot holes at locations marked in steps 1 & 3. Wrap tape 5/16" from tip of drill bit as shown. Drill two holes at locations marked in step 1 (do not drill deeper than front edge of tape). Mount clips at top holes using two (2) 1/2" x #6 screws (do not fasten securely).



STEP 3

With clips in vertical position, mark bottom hole locations (swing clip to allow for drilling) and drill remaining pilot holes. Reposition the clips and securely mount top and bottom of each clip using two (2) 1/2" x #6 screws. **NOTE:** Use plastic screw anchors or #6-32 toggle bolts (not included) when installing screw-in clips on wallboard, plaster or very thin material.



STEP 4

Position the tray on the clips and gently press downward to engage spring lock. This completes the installation of your door storage utility tray. To install second door storage utility tray simple repeat steps 1-4.