

# TANDEMBOX D back height - food / pots / plates application

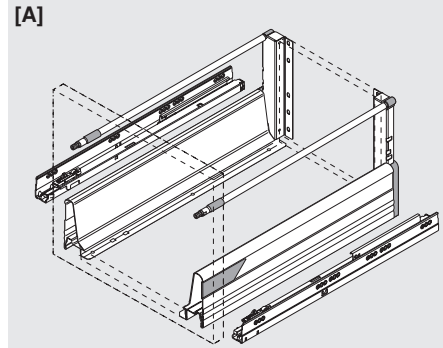
## Product



## Description

- Application for food, bottles, pots, pans, plastic containers and plates
- For TANDEMBOX D back height drawer configuration
- ORGA-LINE flexible dividing system

## Basic component

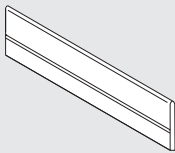


D height drawer

page 28

## Organization parts

### [B] Cross divider



1077 (42-3/8"), cut to size  
Aluminum core

W = inside cabinet width minus  
320 (12-1/2") for Food/bottle drawer

W = inside cabinet width minus  
91 (3-1/2") for other drawers

Gray (R906) or Nickel (Ni) **Z40H1077A**

### [C] Spring connector



Dust gray (R737)

**Z40H000A**

### [D] Lateral divider



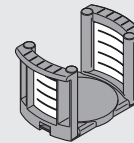
Stainless steel (Inox)

**Z43H100I.01**

Gray (R906)

**Z43H100S.01**

### [G] Plate holder



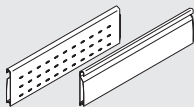
Overall height =  
171 (6-3/4")

Plate size range  
180(7") - 320(12-1/2")

Dust gray (R737)

**ZTH.0350**

### [E] Double-wall BOXSIDE set (right & left)



Runner length

Gray (R906)

Stainless steel (Inox)

450 (18")

**Z37H418S.E**

**Z37H418I.E**

500 (20")

**Z37H468S.E**

**Z37H468I.E**

550 (22")

**Z37H518S.E**

**Z37H518I.E**

600 (24")

**Z37H568S.E**

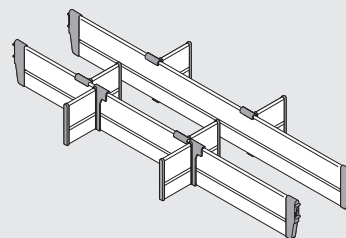
**Z37H568I.E**

650 (26")

**Z37H618S.E**

**Z37H618I.E**

### [F] ORGA-LINE deep drawer set



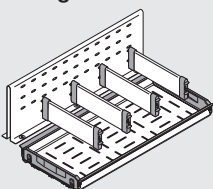
Set includes:

- 2 [B] Cross dividers
- 4 [C] Spring connectors
- 6 [D] Lateral dividers

Gray (R906) or Nickel (Ni)

**ZFI.12BVA6**

### [H] Bottle storage set



Set Includes:

- Bottle tray
- Inside divider
- Cross dividers with spring connectors
- Marking template for easy installation

Runner length

Tray length

Gray (R906)

Stainless steel (Inox)

500 (20")

471 (18-1/2")

**ZFI.30BZS6**

**ZFI.30BZI6**

550 (22")

523 (20-9/16")

**ZFI.30BZS7**

**ZFI.30BZI7**

Accessories

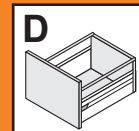
page 48

Assembly / Adjustment

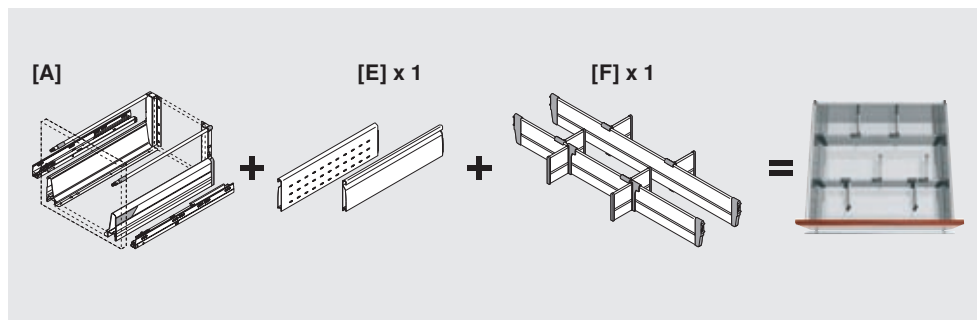
page 52

Assembly aids

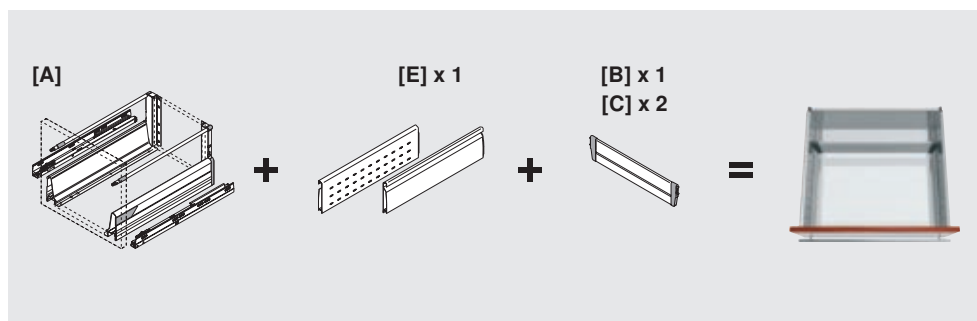
page 56



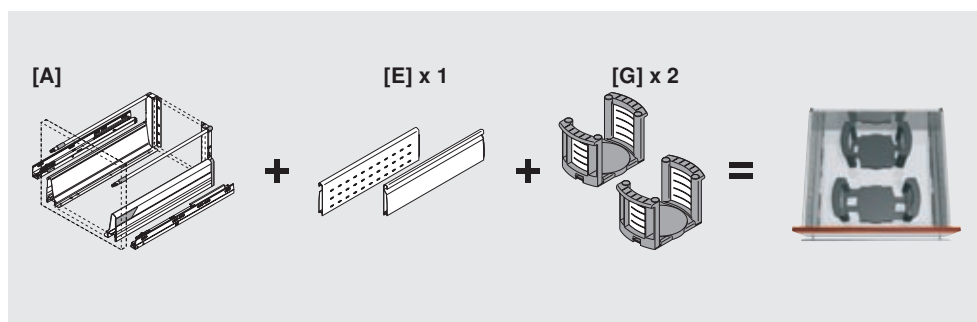
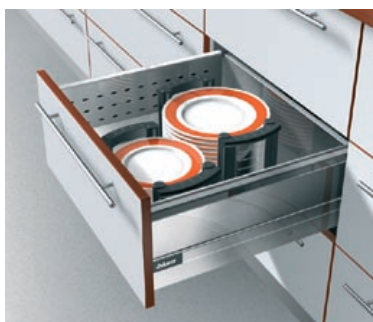
### Food storage



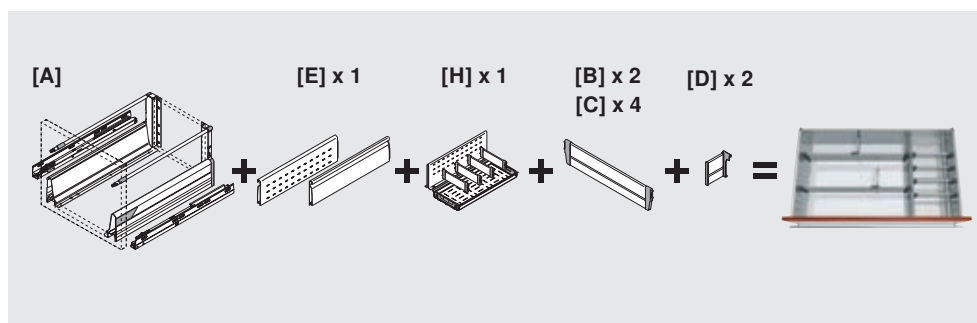
### Pots / pans and plastic container storage



### Plate storage



### Food and bottle storage



**Note:** 559 heavy duty cabinet profiles are recommended if drawer weight including contents exceeds 75 lb.