

# Shelf & Rod Brackets



[www.epcohardware.com](http://www.epcohardware.com)



*Functional closet hardware in a variety of finishes*

Engineered Products Company

P.O. Box 108 Flint, Michigan 48501-0108

Tel (810) 767-2050

Fax (810) 767-5084

[sales@epcohardware.com](mailto:sales@epcohardware.com)

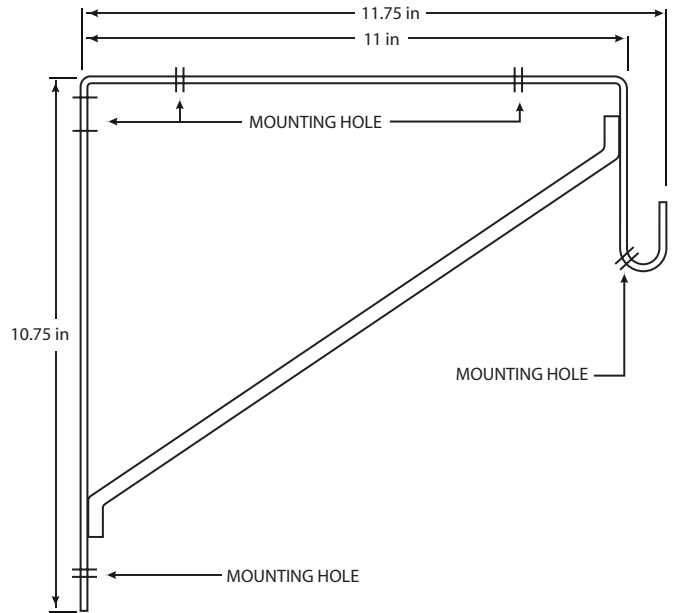
[www.epcohardware.com](http://www.epcohardware.com)

# Shelf & Rod Brackets



www.epcohardware.com

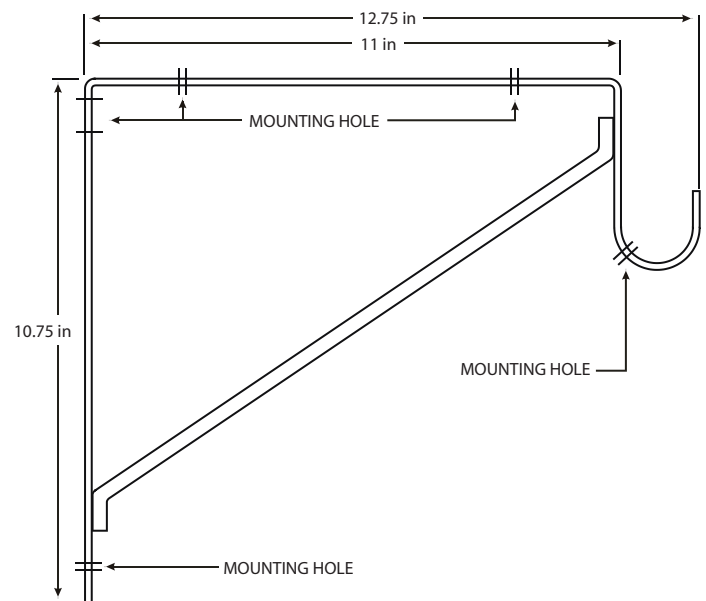
## Oval



PART NUMBER	MATERIAL	FINISH
848-PC	Steel	Polished Chrome
848-ORB	Steel	Oil Rubbed Bronze

Accommodates 15 x 30 mm oval closet rod.

## Round



PART NUMBER	MATERIAL	FINISH
858-PC	Steel	Polished Chrome
858-ORB	Steel	Oil Rubbed Bronze
858-WH	Steel	White
858-SS	Stainless Steel	Brushed

Accommodates 1 inch to 1½ inch diameter round closet rod.

Engineered Products Company  
P.O. Box 108 Flint, Michigan 48501-0108

Tel (810) 767-2050  
Fax (810) 767-5084  
sales@epcohardware.com  
www.epcohardware.com