

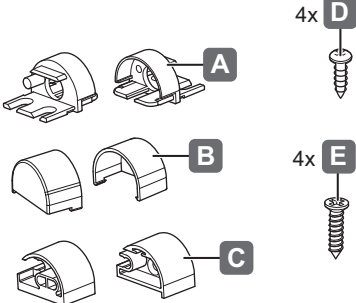




833.74.835	833.89.110
833.74.837	833.89.111
833.74.877	833.89.088
	833.89.089

732.28.500

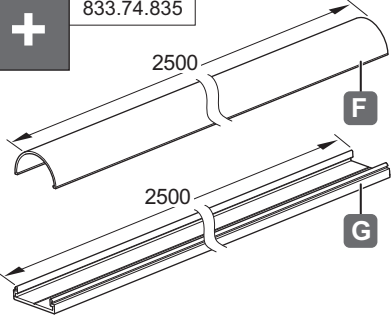





4x **D**

4x **E**

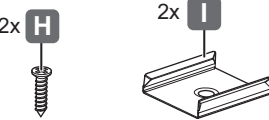
+ 833.74.835



2500

2500

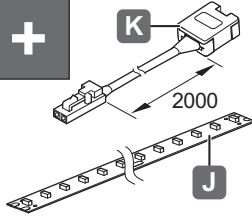
+ 833.74.837



2x **H**

2x **I**

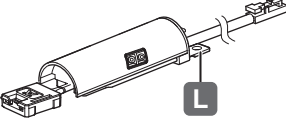
+



2000



LED 2029
LED 2037
LED 2043
LED 2045
LED 3013
LED 3015


+

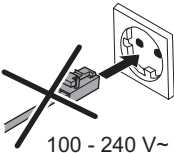


	12 V System	24 V System
IR Door	833.89.110	833.89.111
PIR	833.89.088	833.89.089

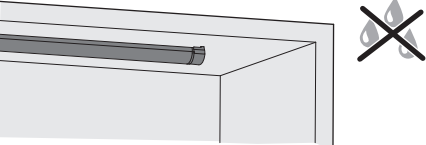
HDE 07.04.2022





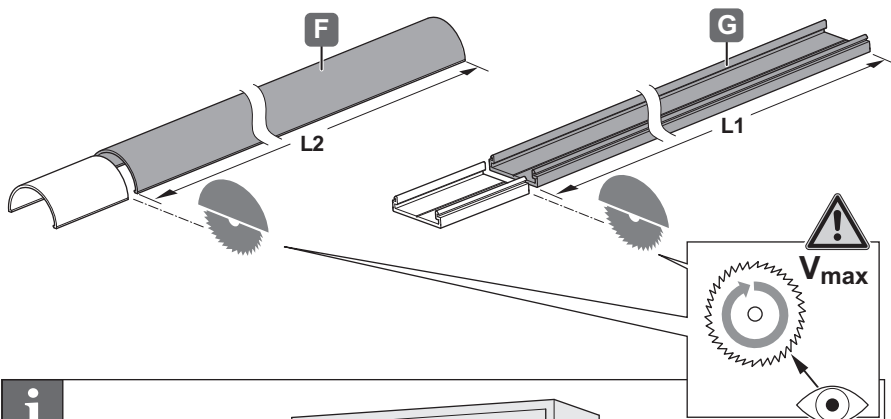
100 - 240 V~



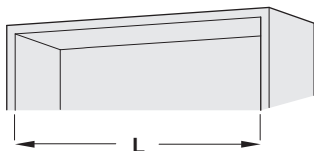
1



„mm“

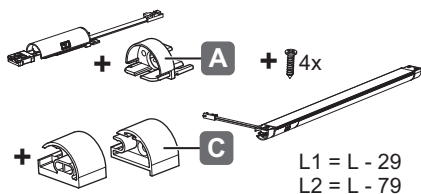
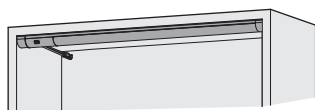


i

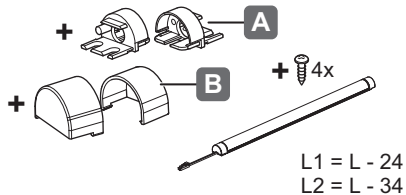
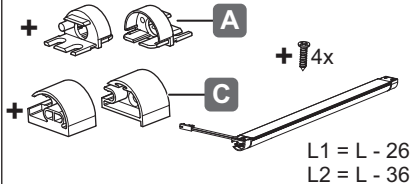
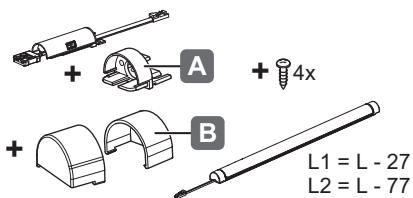
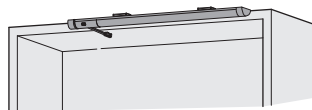


732.28.500

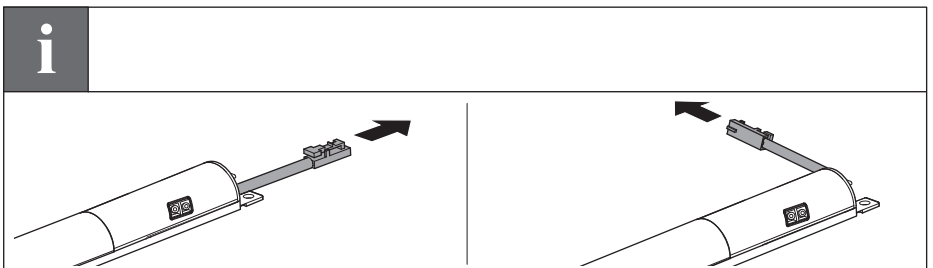
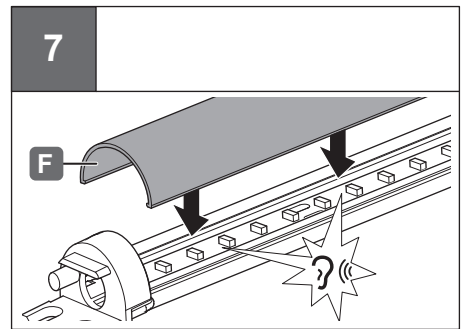
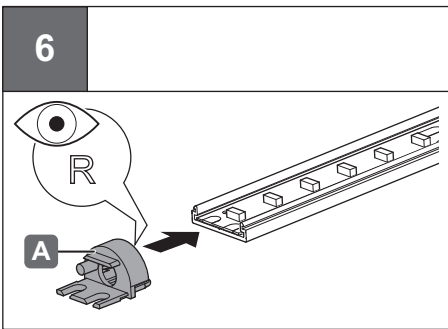
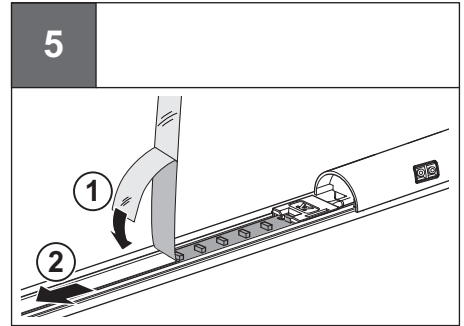
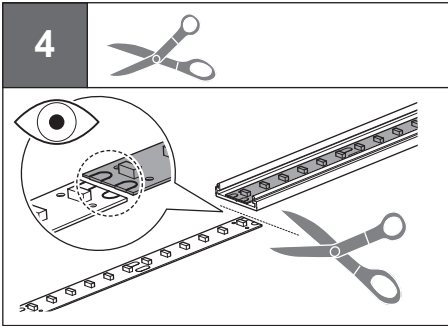
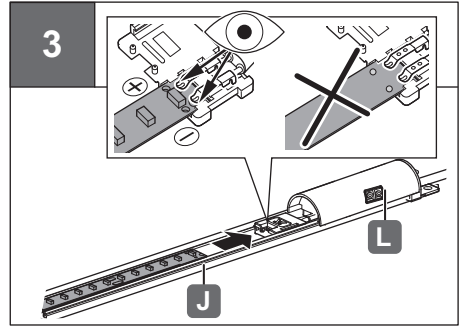
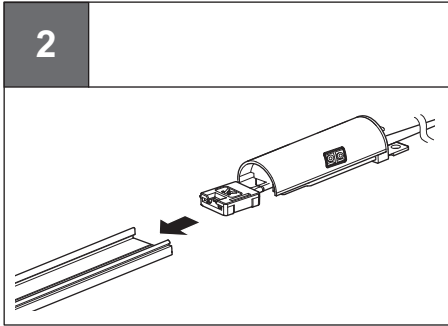
A



B

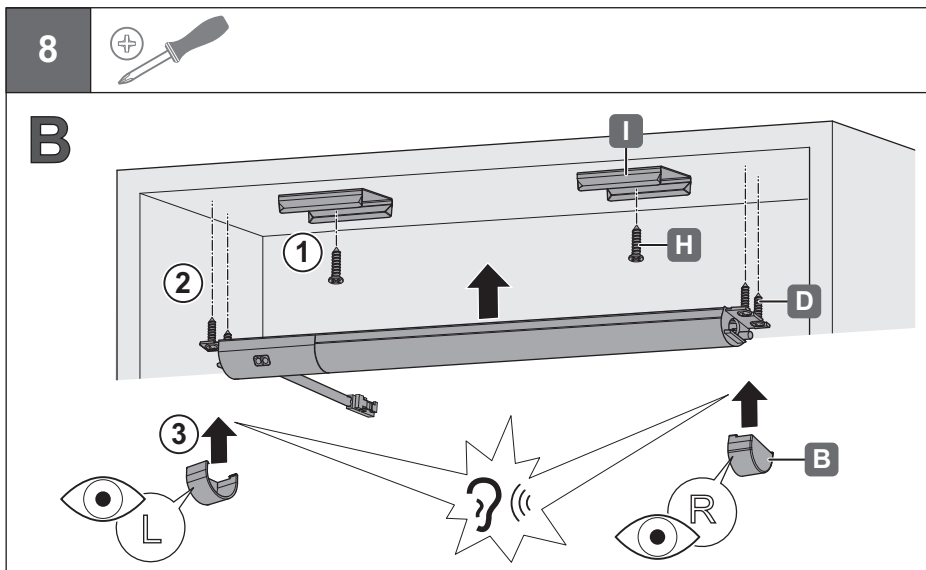
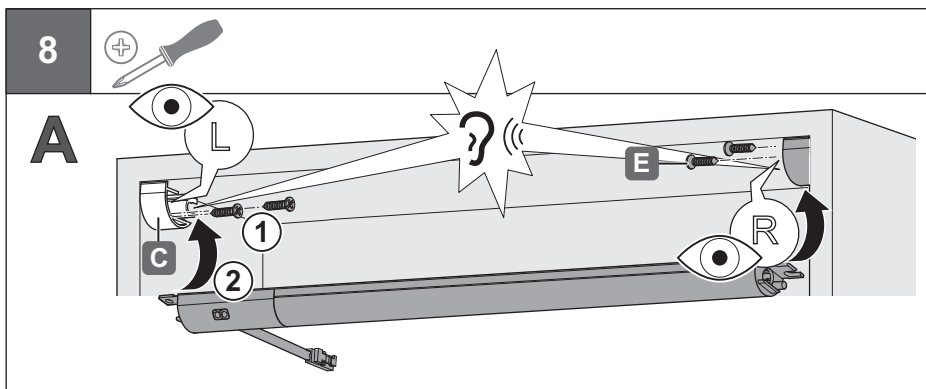


HDE 07.04.2022

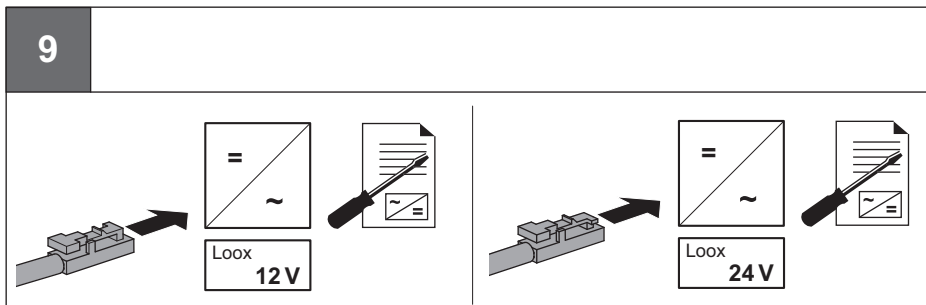


732.28.500

HDE 07.04.2022



732.28.500



HDE 07.04.2022