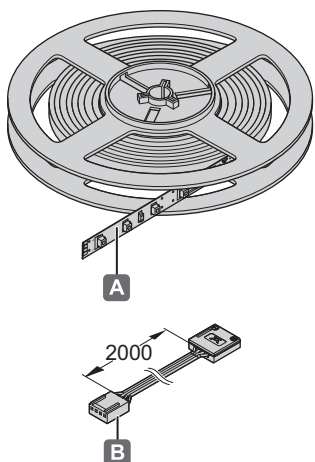



LED 2016 (2.5 A / 22 AWG)

12 V System	K	W	T_A			
833.73.450	RGB	7.1 W / m	-20 °C – +35 °C -4 °F – +95 °F	5000 x 12 x 2.4	≥ 22 x 22.4	Loox 12 V

7.32.28.323



+		<table border="1"><tr><th>X</th><td>2000</td><td>833.74.764</td></tr><tr><td>4000</td><td>833.74.745</td></tr></table>	X	2000	833.74.764	4000	833.74.745				
X	2000	833.74.764									
4000	833.74.745										
C		<table border="1"><tr><th>X</th><td>50</td><td>833.74.766</td></tr><tr><td>500</td><td>833.74.767</td></tr><tr><td>1000</td><td>833.74.779</td></tr><tr><td>2000</td><td>833.74.768</td></tr></table>	X	50	833.74.766	500	833.74.767	1000	833.74.779	2000	833.74.768
X	50	833.74.766									
500	833.74.767										
1000	833.74.779										
2000	833.74.768										
D		833.74.760									
E		833.74.761									
F		833.74.802									
G		833.74.708									

HDE 08/2017

100 - 240 V~

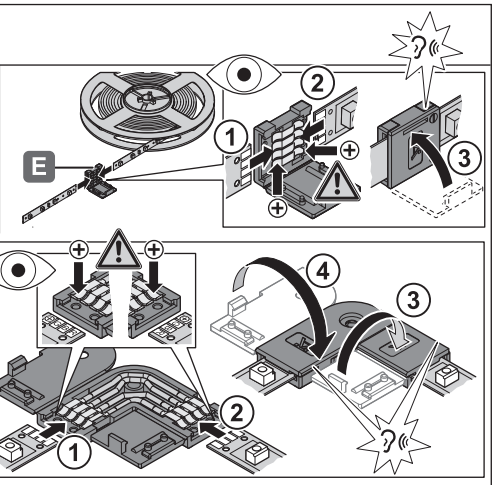
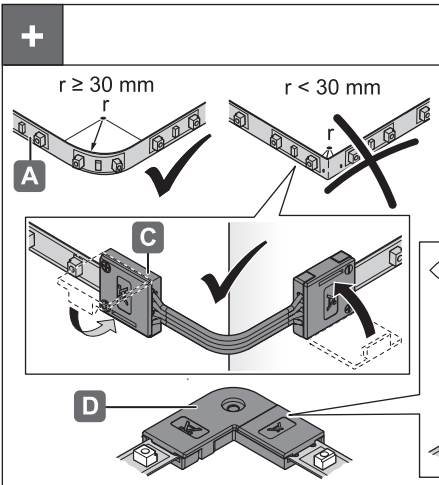
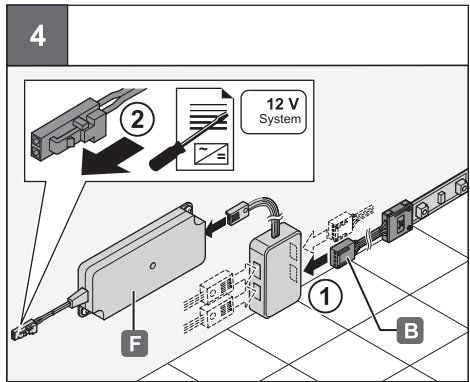
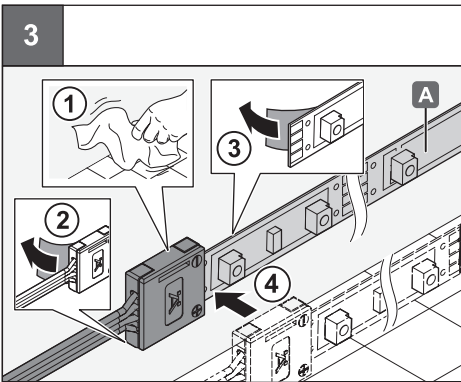
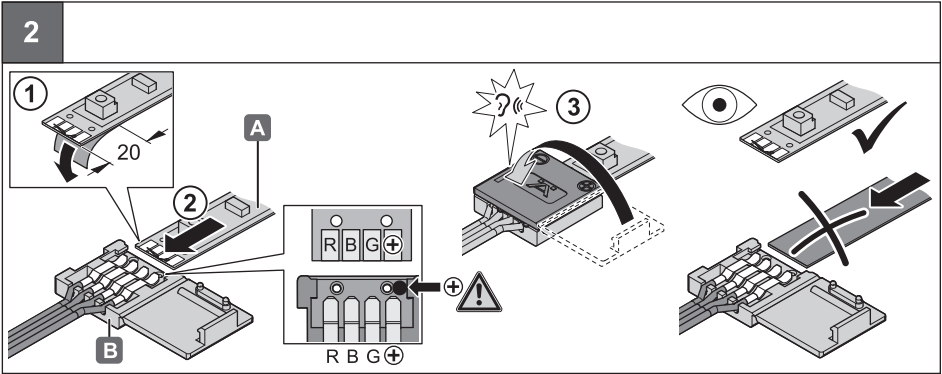
100 - 240 V~

HDE 08/2017

1

LED 2016	x _n [m]	X [m]
12 V / 6 W	0.600	0.600
12 V / 15 W	1.600	1.600
12 V / 20 W	2.400	2.400
12 V / 27 W	2.800	2.800
12 V / 40 W	3.400	3.400
12 V / 60 W	3.400	3.400

$X_1 + X_2 + \dots + X_n \leq X$



732.26.323

HDE 08/2017