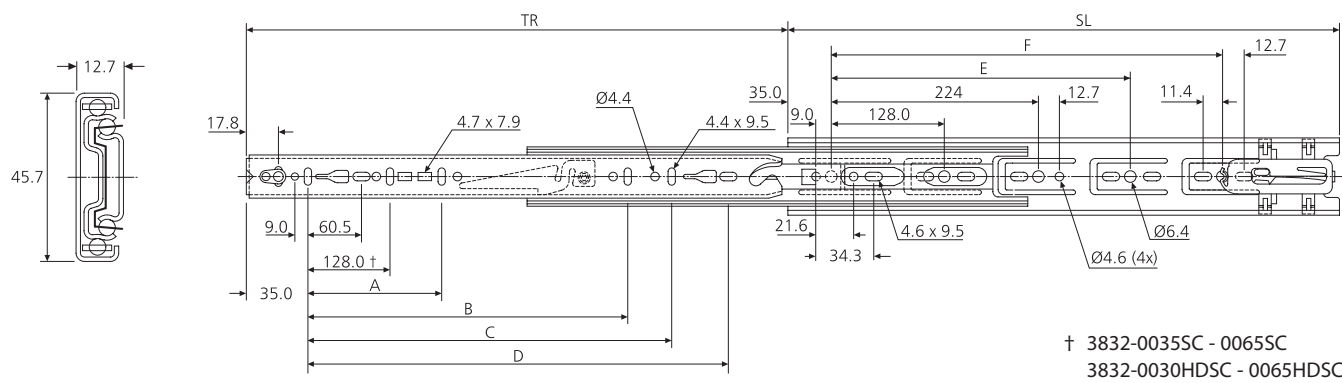
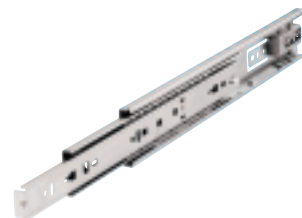


- Two self close options
- Closing/opening force -
SC: 1.4 - 2.7kg per slide
HDSC: 2.7 - 4.1kg per slide
- Load rating up to 45kg
- 100% extension
- 12.7mm slide thickness
(14mm with mounting bracket)
- Optional clip-on bracket for
bottom & platform mounting
- Front disconnect
- Hold-in
- Cam drawer adjust (3.1mm)

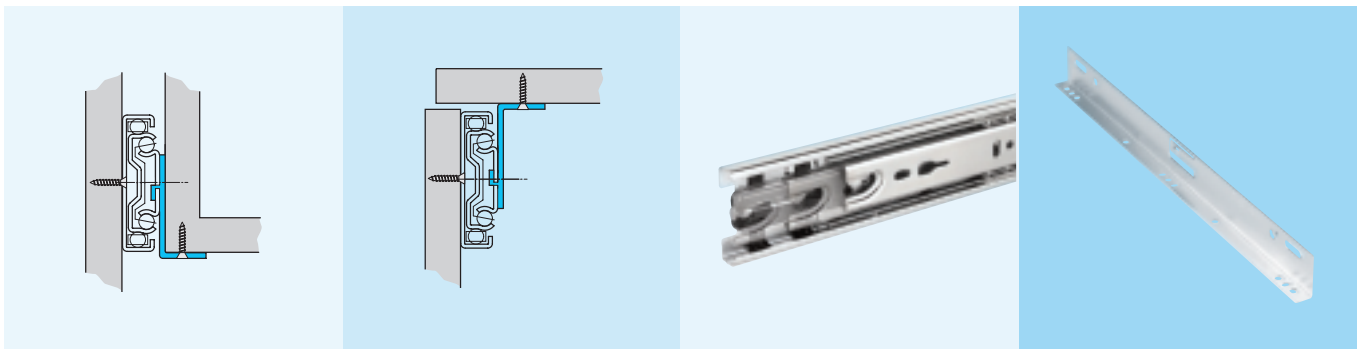


† 3832-0035SC - 0065SC
3832-0030HDSC - 0065HDSC

3832SC/ 3832HDSC	mm							
	SL	TR	A	B	C	D	E	F
*3832-0030SC	300	286	-	-	-	231	-	-
DZ3832-0030HDSC	300	286	-	-	-	231	-	-
*3832-0035SC	350	356	-	-	-	281	-	-
DZ3832-0035HDSC	350	356	-	-	-	281	-	-
*3832-0040SC	400	406	-	-	-	331	288	-
DZ3832-0040HDSC	400	406	-	-	-	331	288	-
*3832-0045SC	450	457	-	320	-	381	320	-
DZ3832-0045HDSC	450	457	-	320	-	381	320	-
*3832-0050SC	500	508	-	-	-	431	384	-
DZ3832-0050HDSC	500	508	-	-	-	431	384	-
*3832-0055SC	550	559	-	416	-	481	416	-
DZ3832-0055HDSC	550	559	-	416	-	481	416	-
*3832-0060SC	600	610	224	416	-	531	352	480
DZ3832-0060HDSC	600	610	224	416	-	531	352	480
*3832-0065SC	650	660	224	416	544	581	352	512
DZ3832-0065HDSC	650	660	224	416	544	581	352	512

* 3832SC only prefix DZ for bright zinc plate, DB for black zinc plate, DW for white electro-plate

3832SC/3832HDSC



Notes:

- Fixing recommendation: 4mm wood screw/
6mm Euro screw
- For brackets refer to page 29
- Horizontal mounting not recommended

Notas:

- Recomendaciones de montaje: tornillo de
madera de 4mm/tornillo euro de 6mm
- Para escuadras, consúltese la página 29
- Montaje horizontal no recomendado

Note:

- Consigli per il fissaggio: vite per legno da 4mm/
vite Euro da 6mm
- Per le staffe fare riferimento alla pagina 29
- Non si consiglia il montaggio orizzontale