

TRIADE





TRIADE is the concealed mounting bracket for shelves 25 to 40mm thick. It has been conceived to simplify the shelf installation. It is provided with three independent adjustments:

1) VERTICAL

Before installing the shelf, the mounting brackets can be adjusted in height and (vertically) aligned through the slots.

2) HORIZONTAL

While placing the shelf in position, the supporting pins can be slid horizontally.

3) INCLINATION

When the shelf is partially inserted, the shelf angle can be adjusted front to back by turning the supporting pins with a 10mm open-ended wrench.

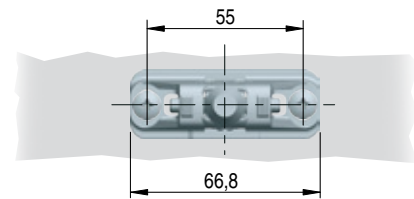
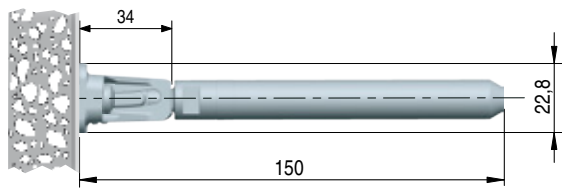
The capacity loading is 15Kg each (shelf weight included) for a shelf max 300mm deep.

Shelf minimum depth: 160mm

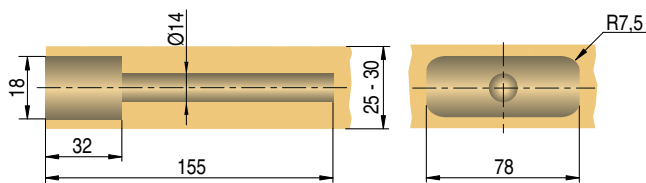
Zinc alloy and steel

PAT. PENDING

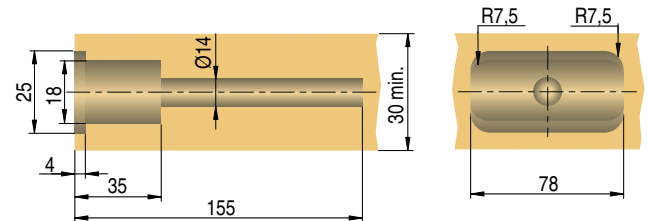
Part. no
1621501000



For shelf 25-30mm thick



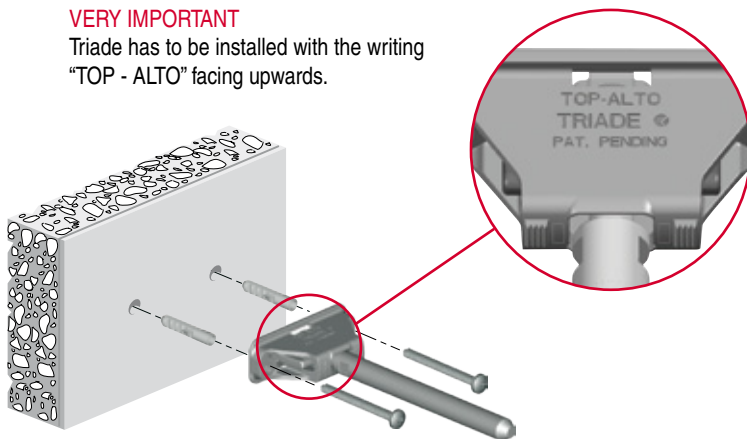
For shelf 30mm thick and above



FIXING TO CEMENT WALL

VERY IMPORTANT

Triade has to be installed with the writing "TOP - ALTO" facing upwards.



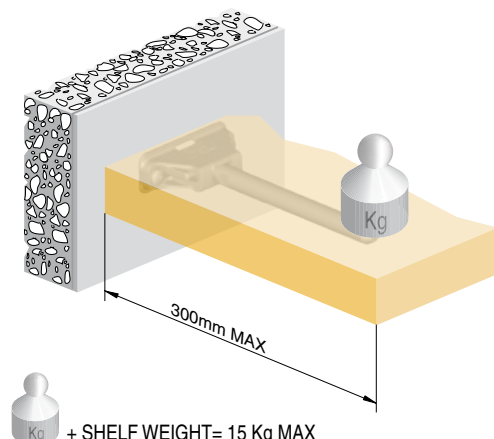
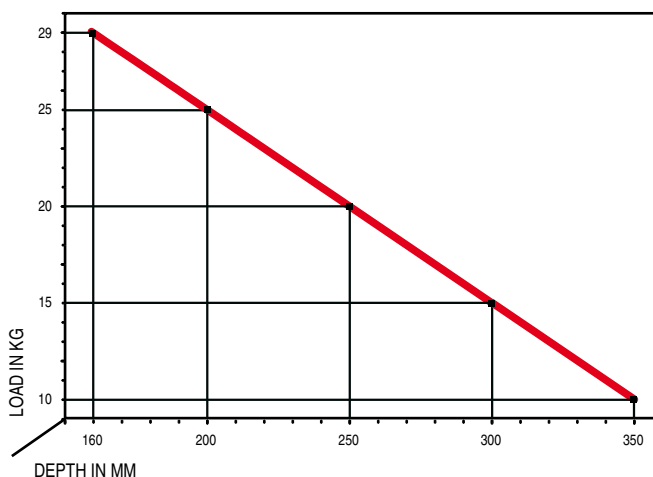
Fixing:

- to cement wall with rawplugs Ø 8mm & pan head screws Ø 5x50mm.
- to wood panels with pan head wood screws Ø 5mm.
- to plaster boards with umbrella fittings Ø 8mm & pan head screws M4x46mm.

It is the responsibility of the customer:

- to ensure the wall is of a suitable quality to hold the shelf fixing in place.
- to use the proper hardware fittings according to the construction of the wall.

COMBINATION SHELF LOAD AND SHELF DEPTH (The figures refer to 1 shelf support)

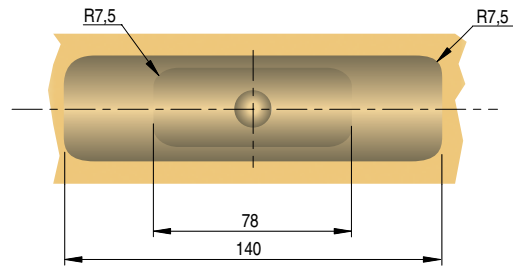
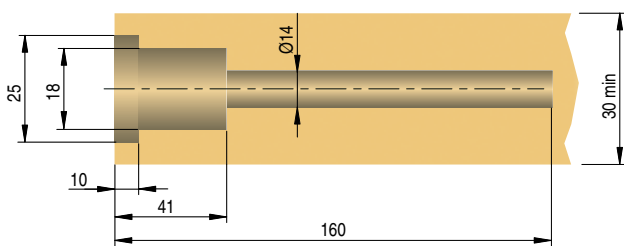
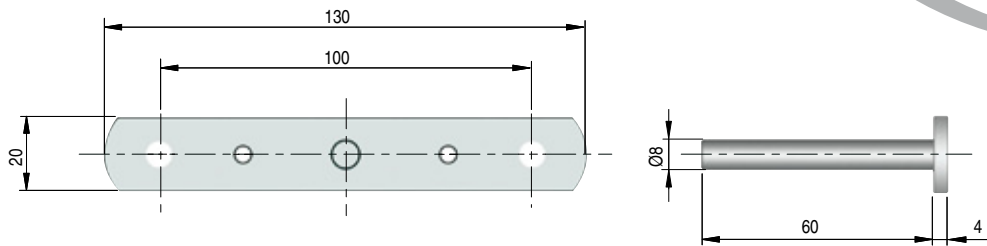


Kg + SHELF WEIGHT= 15 Kg MAX

BRACKET FOR TRIADE with pin is a valid complement to the concealed shelf support TRIADE. Ideal to improve the shelf support capacity loading by evenly distributing the shelf load on the wall through a $\varnothing 8$ mm pin.

The $\varnothing 8$ mm pin allows to reduce the load taken by the two fixing screws.

Part. no	Description	Finish
16215020ZN	Bracket for TRIADE	Zinc-plated
60334030ZN	pan head screw M5x12mm	Zinc-plated



FIXING TO WALL

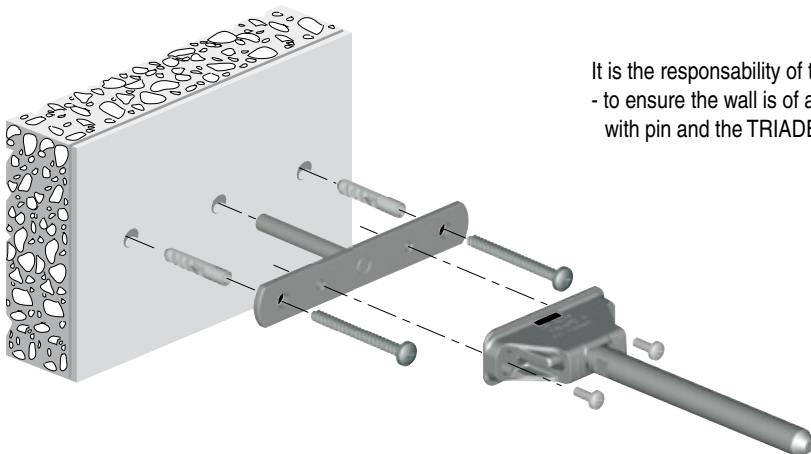
Fixing the TRIADE onto the bracket with pan head screws M5x12mm.

Fixing the assembled TRIADE & bracket:

- to cement wall with rawplugs $\varnothing 8$ mm & pan head screws $\varnothing 5$ x50mm.
- to wood panel with 2 pan head wood screws $\varnothing 5$ mm.
- to plaster board with umbrella fittings $\varnothing 8$ mm & pan head screws M4x16mm.

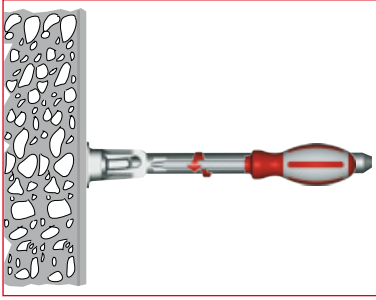
It is the responsibility of the customer:

- to ensure the wall is of a suitable quality to hold both the inserting of the bracket with pin and the TRIADE in place.

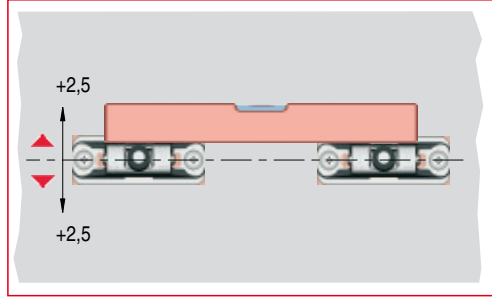


VERTICAL ADJUSTMENT

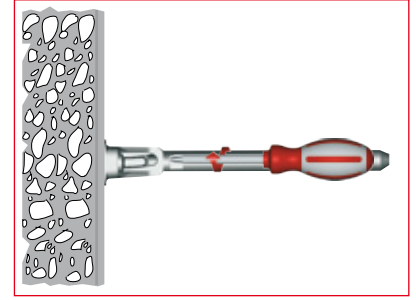
RELEASE THE FIXING SCREWS



ALIGN BRACKETS VERTICALLY ACCORDINGLY

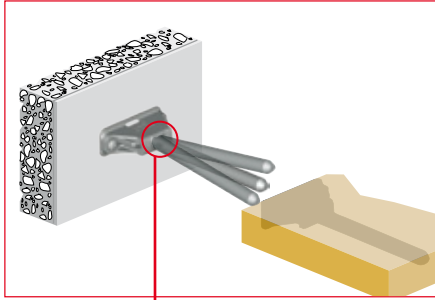


TIGHT THE FIXING SCREWS

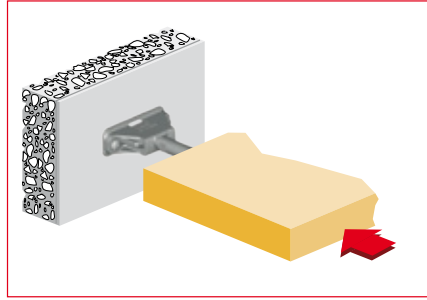


SHELF INSERTING AND HORIZONTAL ADJUSTMENT

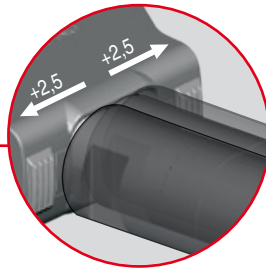
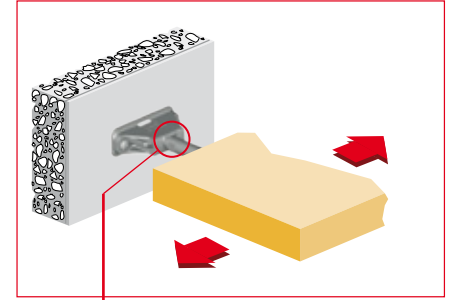
TILT THE SHELF TO MATCH BOTH SUPPORTING PINS AND SHELF HOUSINGS



INSERT PARTIALLY THE SHELF

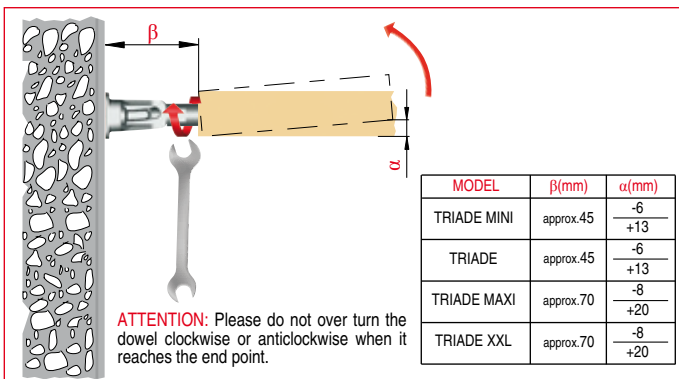


ADJUST THE SHELF HORIZONTALLY ACCORDING TO THE APPLICATION (i.e. MULTI-SHELF COMPOSITION)

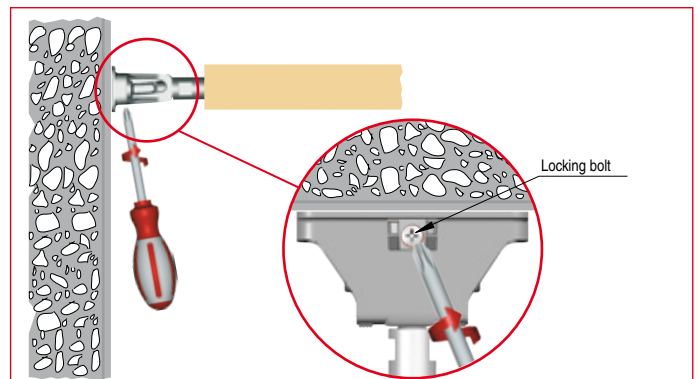


INCLINATION ADJUSTMENT

TURN CLOCKWISE THE SUPPORTING PIN WITH A 12mm OPEN-ENDED WRENCH TO ADJUST THE SHELF ANGLE FRONT TO BACK ACCORDINGLY

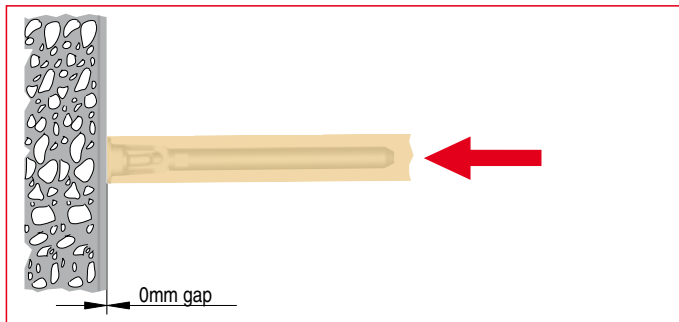


SCREW THE LOCKING BOLT TO BLOCK THE PIN



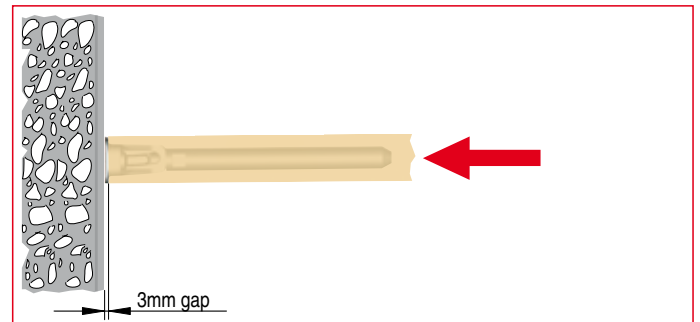
SHELF INSERTING FOR ALL TRIADE MODELS

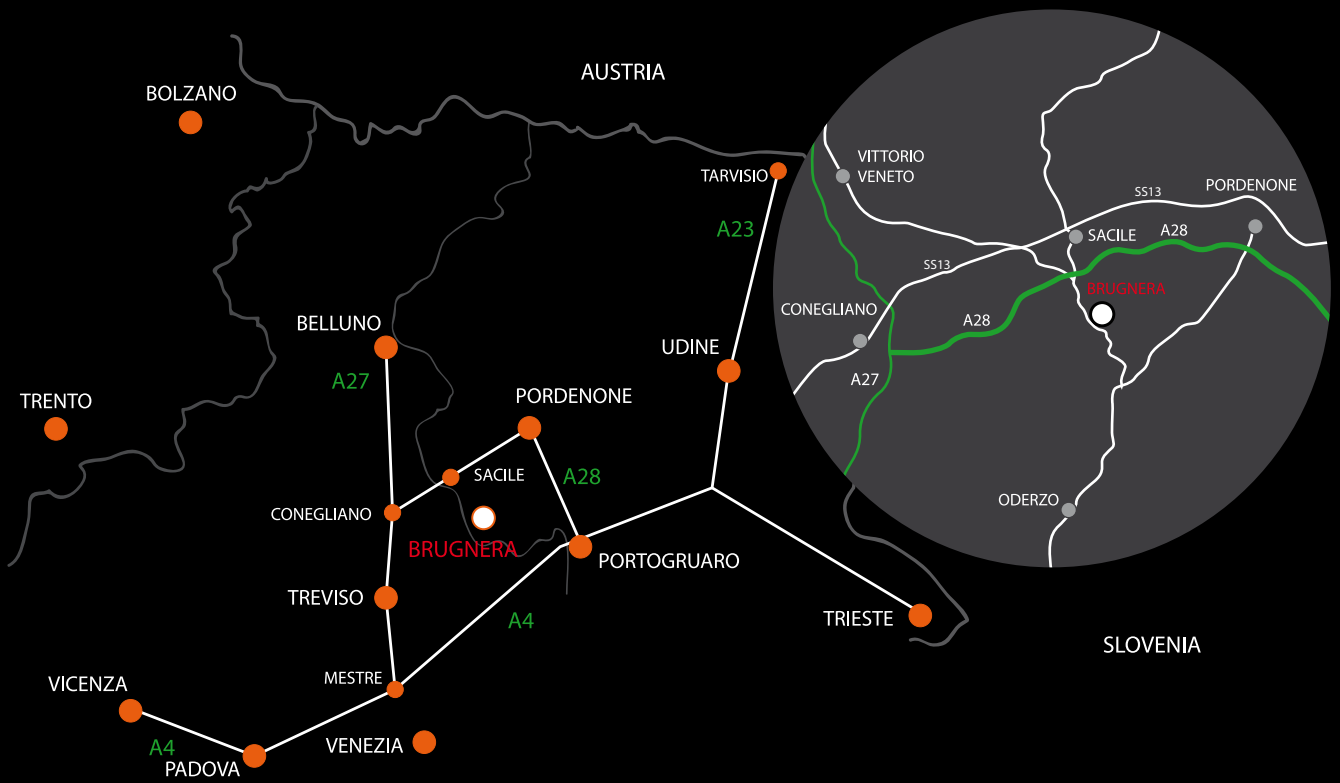
PUSH THE SHELF AGAINST THE WALL UNTIL THE END



SHELF INSERTING FOR TRIADE MODEL ONLY, WITH DRILLING PLAN FOR SHELVES 25-29MM THICK

PUSH THE SHELF AGAINST THE WALL UNTIL THE END





ITALIANA FERRAMENTA

Via Taglio n° 87 I - 33070 Maron di Brugnera (PN) Tel. +39 0434 428211 Fax +39 0434 428242 www.italianaferramenta.com info@italianaferramenta.it