





LED 3030 (3.5 A / 20 AWG)

833.76.220 833.76.222
833.76.221 833.76.223

24 V System	K	W	T _A	mm	mm	~ =
833.76.220	2700 K	9.6 W/m	-20 °C – +45 °C -4 °F – +113 °F	5000 x 8 x 2.3	≥ 18 x 12.3	Loox 24 V
833.76.221	3000 K					
833.76.222	4000 K					
833.76.223	5000 K					

A

B

B

833.77.804

2000

C

833.73.730

D

833.73.736

X	
50	833.73.771
500	833.73.772
1000	833.73.773
2000	833.73.774

E

X

732.28.218

100 - 240 V~

1

A

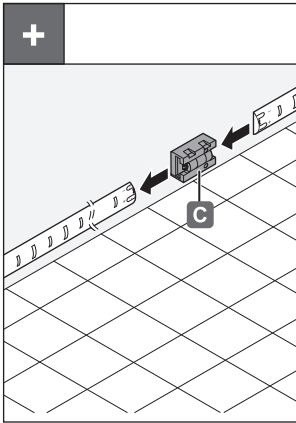
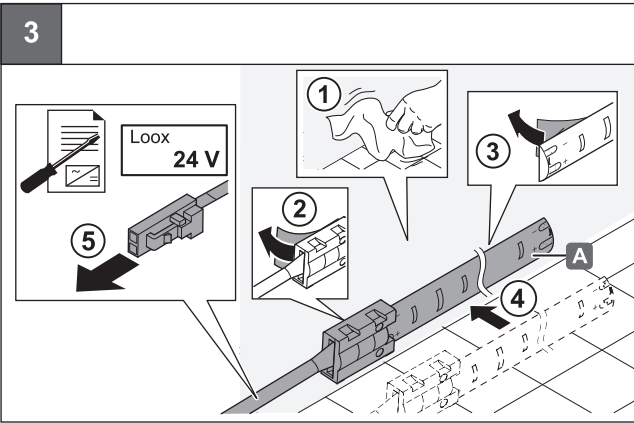
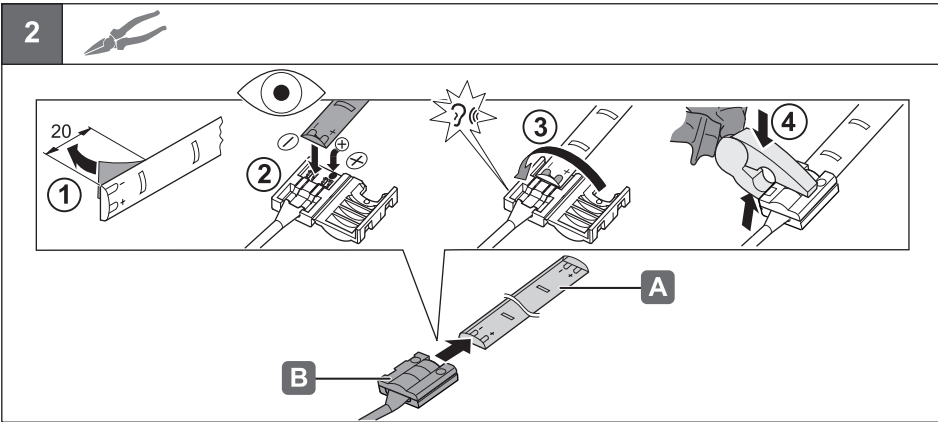
i

$x_1 + x_2 + \dots + x_n \leq X$

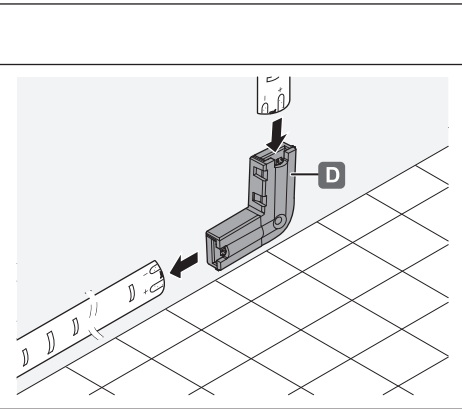
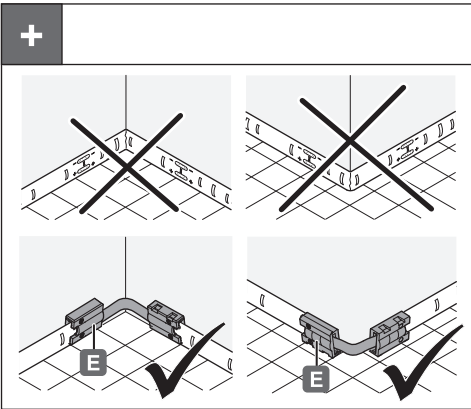
	24 V / 20 W		24 V / 40 W	
	x _n [m]	X [m]	x _n [m]	X [m]
LED 3030	1.850	1.850	3.750	3.750

	24 V / 90 W	
	x _n [m]	X [m]
LED 3030	5.000	8.500

HDE 07/2017



732.26.218



HDE 07/2017