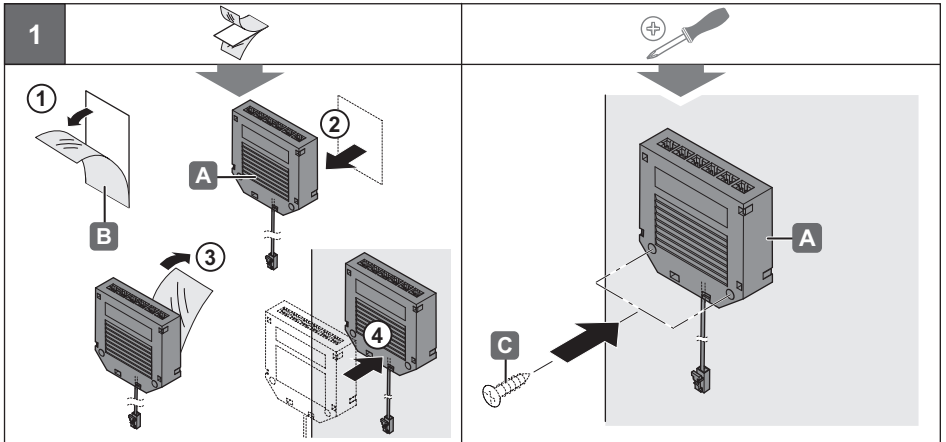
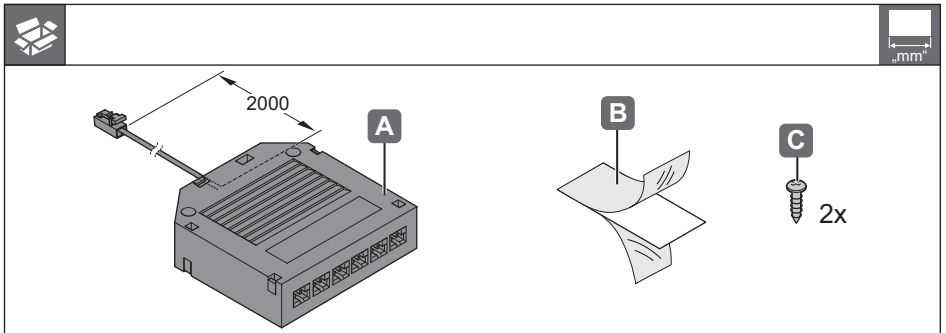




6-way distribution box

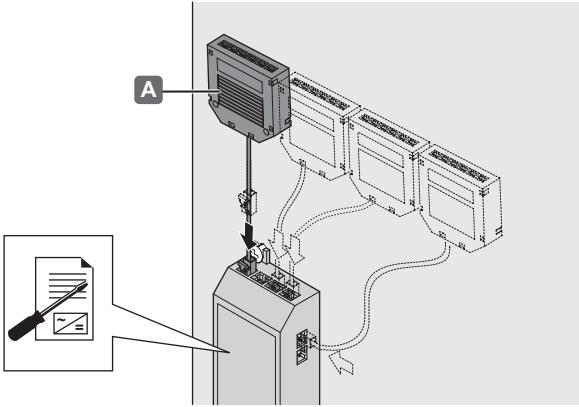
		W		
833.74.743	12 V System	30 W	58.5 x 38.2 x 10.2	833.74.900 833.74.914 833.74.901 833.74.917 833.74.913 833.74.918
833.77.722	24 V System	60 W		833.77.900 833.77.913 833.77.901 833.77.914 833.77.912 833.77.915



HDE 16.01.2013

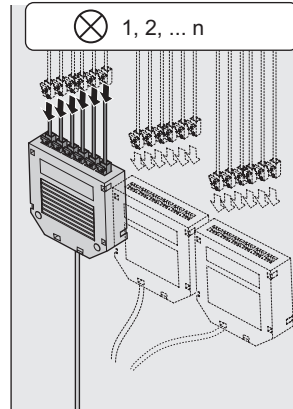
732.28.302

2



3

	833.74.900 <small>12 V System</small> 833.77.900 <small>24 V System</small> $\otimes_1 + \otimes_2 + \dots < 15 \text{ W}$	833.74.901 <small>12 V System</small> 833.77.901 <small>24 V System</small> $\otimes_1 + \otimes_2 + \dots < 30 \text{ W}$
	833.74.917 <small>12 V System</small> 833.74.918 <small>12 V System</small> 833.77.912 <small>24 V System</small> 833.77.913 <small>24 V System</small> $\otimes_1 + \otimes_2 + \dots < 20 \text{ W}$	833.74.913 <small>12 V System</small> 833.74.914 <small>12 V System</small> $\otimes_1 + \otimes_2 + \dots < 30 \text{ W}$
$\otimes_1 = \dots \text{ W}$ $\otimes_2 = \dots \text{ W}$ $\otimes_n = \dots \text{ W}$ <hr/> $\dots \text{ W}$	833.77.914 <small>24 V System</small> 833.77.915 <small>24 V System</small> $\otimes_1 + \otimes_2 + \dots < 60 \text{ W}$	



HDE 16.01.2013

732.28.302