

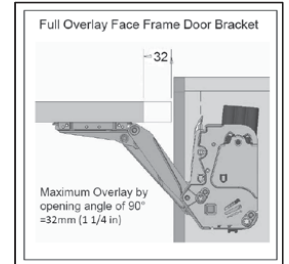
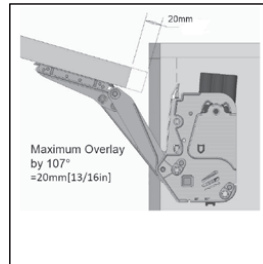
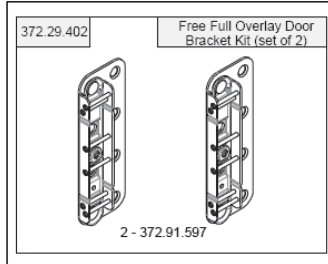
Mounting Instructions



Item No.: 372.29.402

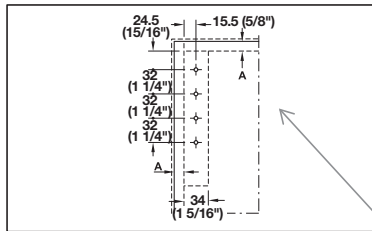
FACE FRAME FULL OVERLAY DOOR BRACKET

Door Drilling Pattern for Free Flap 1.7 & 3.15, Free Up And Free Swing

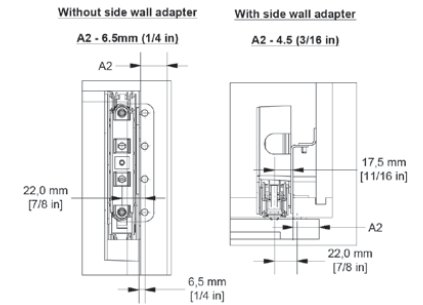


Free flap:

Mounting position of the Free flap fitting on the door; indications are for regular fixing bracket

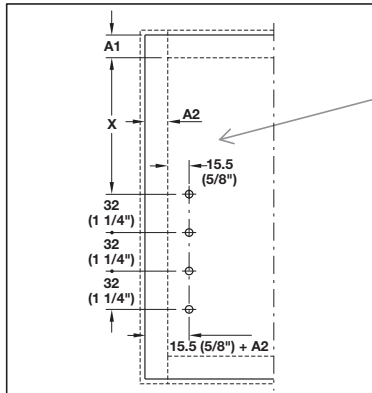


Mounting position of the Free flap fitting on the door; indications are for Full Overlay Door Bracket



Free up:

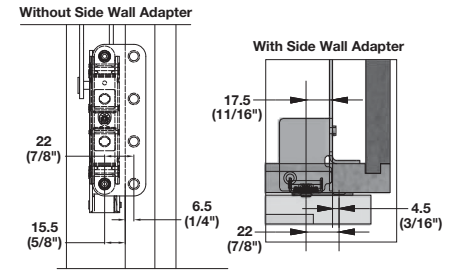
Mounting position of the Free up fitting on the door / block; indications are for regular fixing bracket



Change dimension to 17.5 when employing side wall adapter.

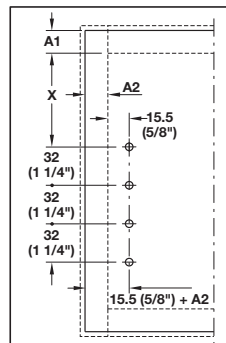
KH	X
320 - 360	157
345 - 420	185
380 - 500	220
430 - 600	265

Mounting position of the Free up fitting on the door; indications are for Full Overlay Door Bracket



Free swing:

Mounting position of the Free swing fitting on the door / block; indications are for regular fixing bracket



Mounting position of the Free swing fitting on the door; indications are for Full Overlay Door Bracket

