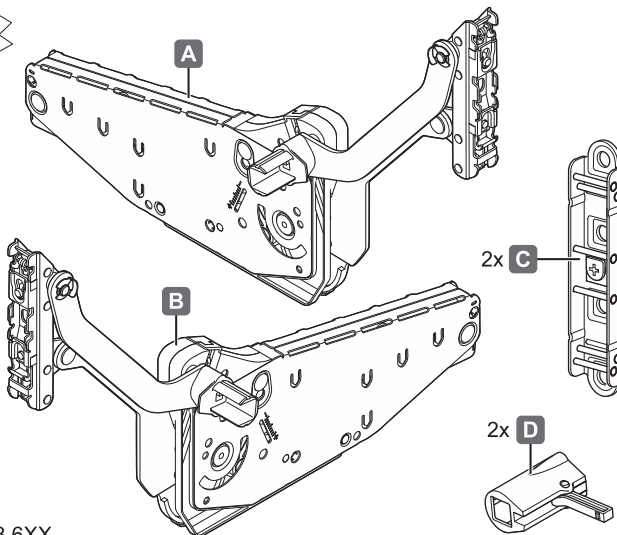
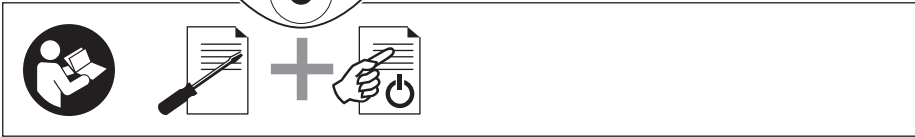


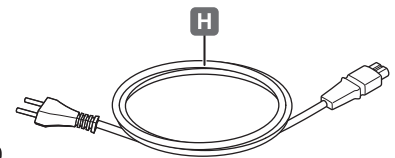


Free up E

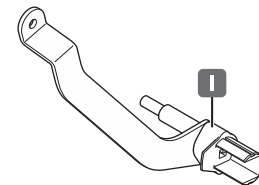
372.33.XXX



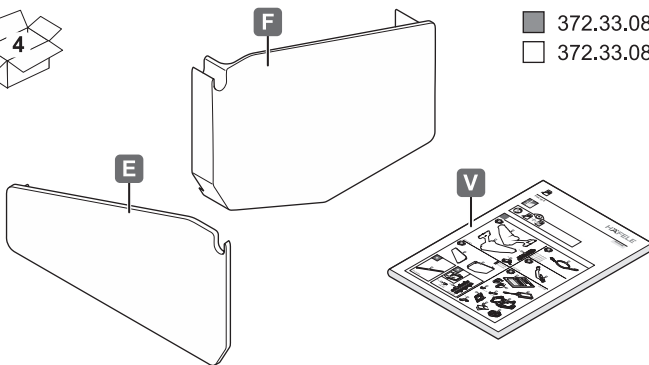
372.33.6XX



UK: 833.89.000
AU: 833.89.001
EU: 833.89.002
US: 833.89.003

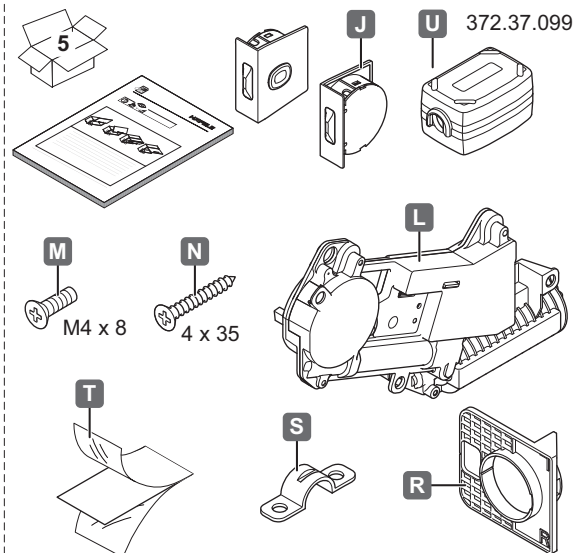


372.33.09X



■ 372.33.080
□ 372.33.085

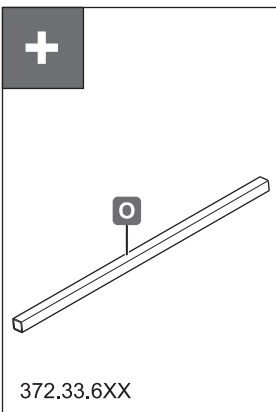
372.33.6XX



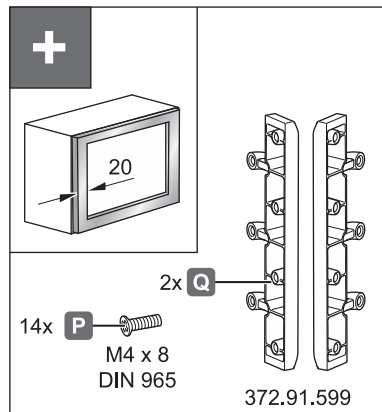
372.37.099

M4 x 8

4 x 35



372.33.6XX

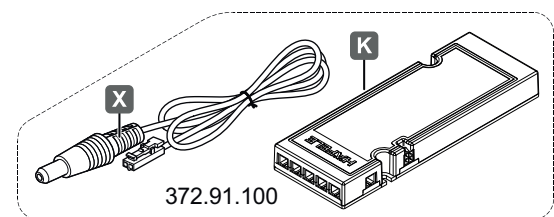


14x P

M4 x 8
DIN 965

2x Q

372.91.599

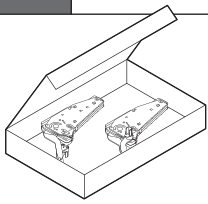
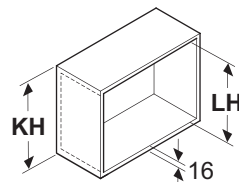
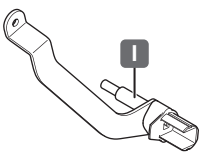
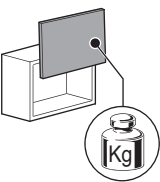
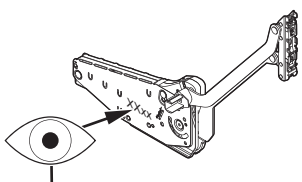
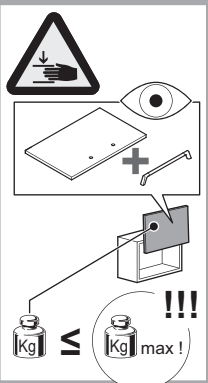


372.91.100

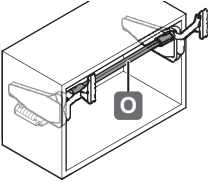
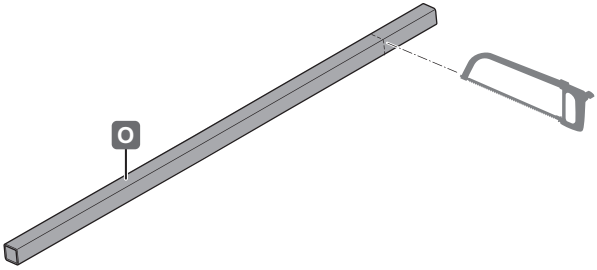
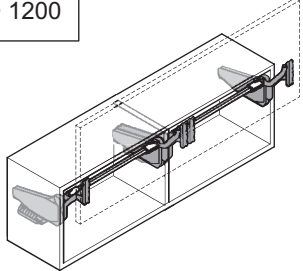


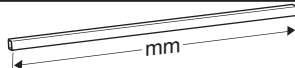
732.23.018

12.0001.010.431.0000.00

HDE 27.04.2021

i		„mm“			
					
	KH: 320 - 360 LH: ≥ 280	372.33.090	3.0 - 5.7	O1us	372.33.600
			4.8 - 9.3	O2us	372.33.601
			8.7 - 16.5	O3us	372.33.602
	KH: 345 - 420 LH: ≥ 308	372.33.091	2.4 - 4.8	P1us	372.33.610
			4.1 - 8.0	P2us	372.33.611
			7.4 - 14.0	P3us	372.33.612
			11.0 - 19.6	P4us	372.33.613
	KH: 380 - 500 LH: ≥ 343	372.33.092	2.0 - 3.8	Q1us	372.33.620
3.4 - 6.7			Q2us	372.33.621	
6.3 - 11.8			Q3us	372.33.622	
9.3 - 17.4			Q4us	372.33.623	
KH: 430 - 600 LH: ≥ 388	372.33.093	1.6 - 3.3	R1us	372.33.630	
		2.6 - 5.5	R2us	372.33.631	
		5.0 - 9.7	R3us	372.33.632	
		7.4 - 14.6	R4us	372.33.633	

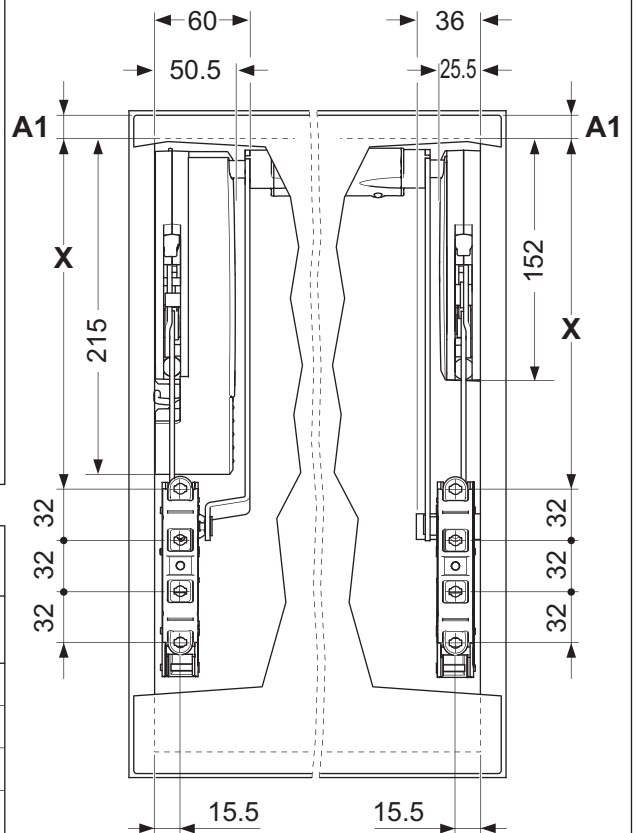
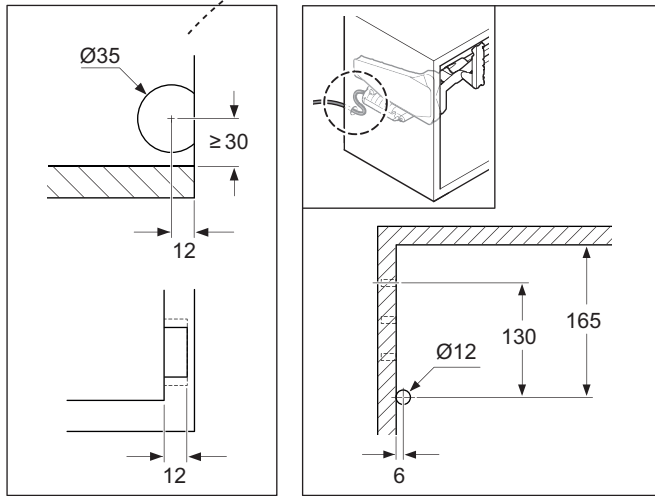
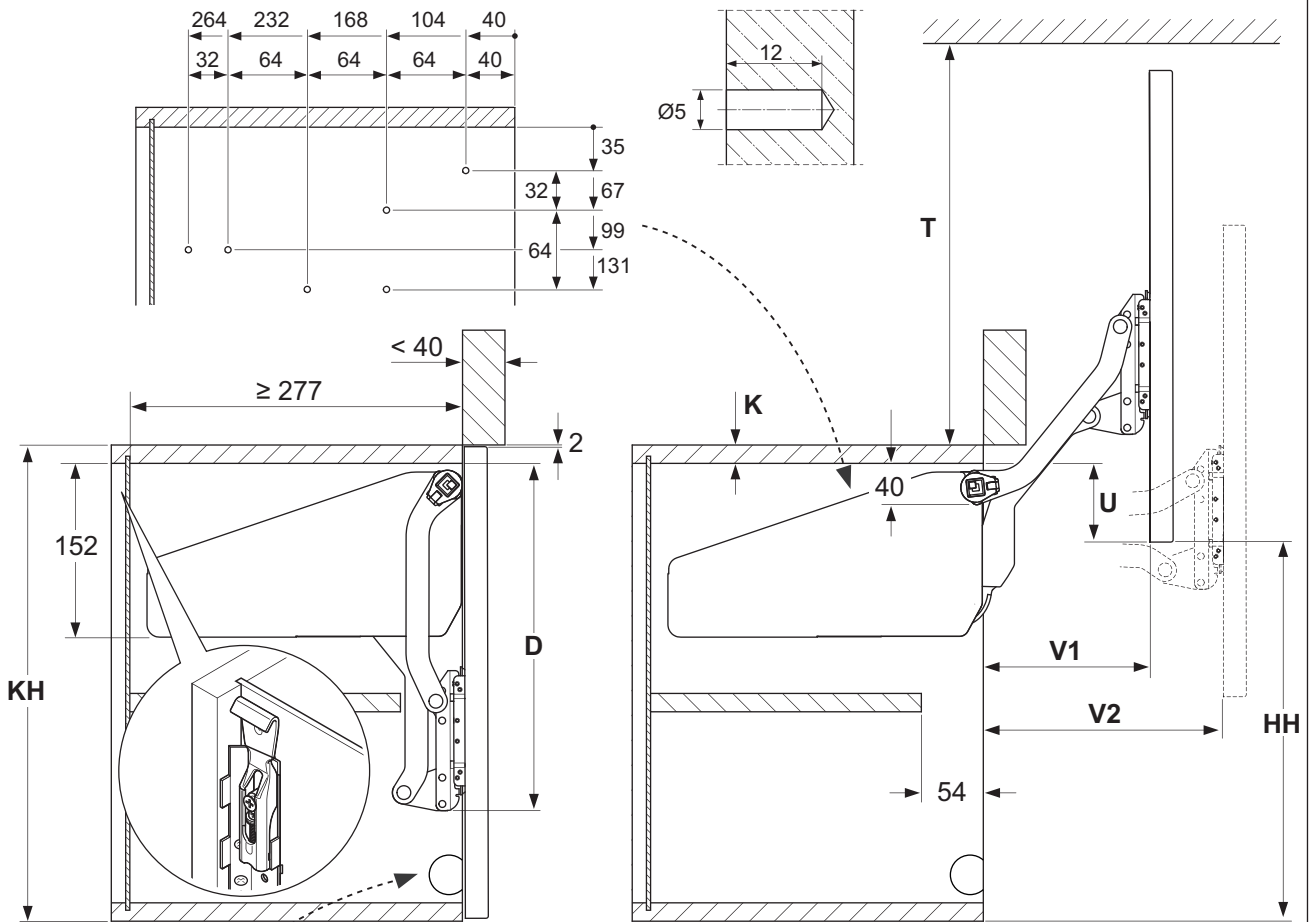
732.23.018

1		„mm“		
				
<div style="border: 1px solid black; padding: 5px; display: inline-block;">KB > 1200</div> 				
	600	16 19	449	372.33.689
	900	16 19	749	372.33.688
	1200	16 19	1049	372.33.687
	KB	16 19	KB - (2 x K) - 113	

HDE 27.04.2021

i

„mm“



KH	U = KH - HH - K					
	X	D	HH	T	V1	V2
320 - 360	157	274.5	278	≥ 281	128	177
345 - 420	185	302.5	328	≥ 333	146	205
380 - 500	220	337.5	390	≥ 393	168	240
430 - 600	265	382.5	470	≥ 473	196	284

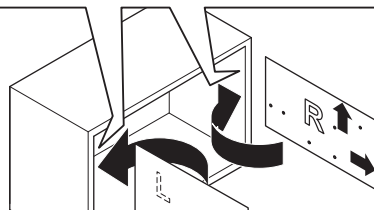
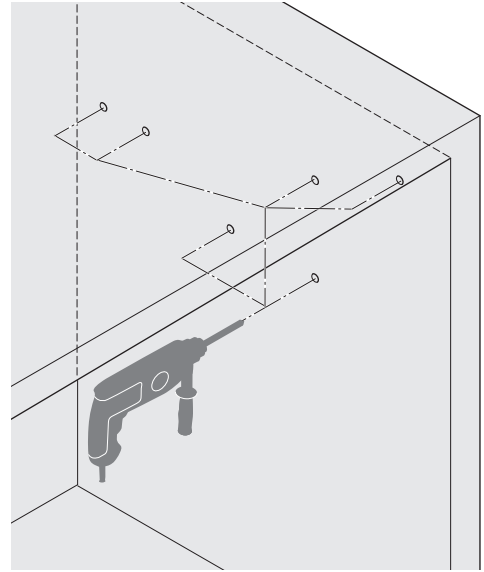
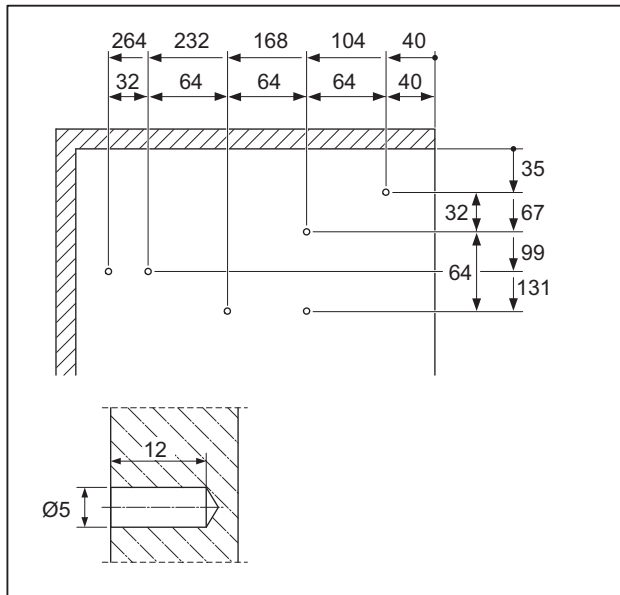
732.23.018

HDE 27.04.2021

1



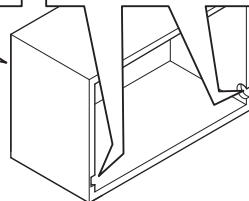
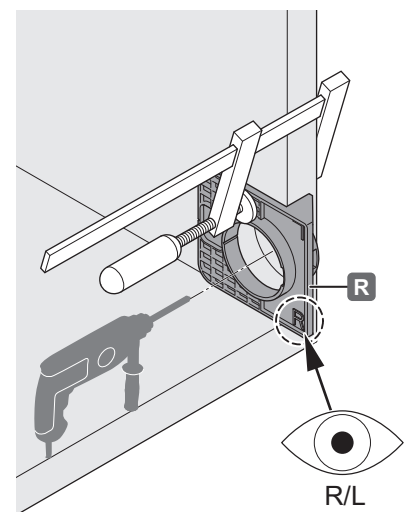
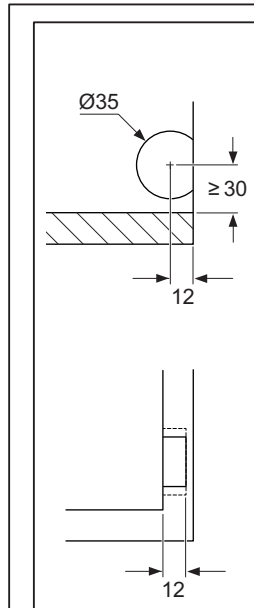
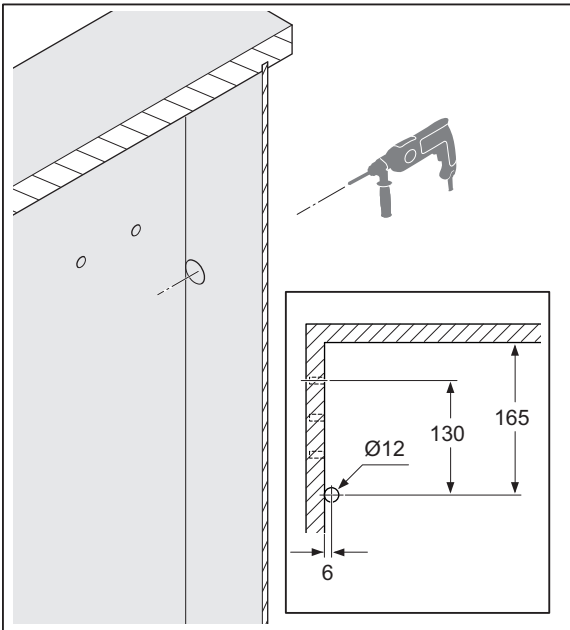
„mm“



2



„mm“



732.23.018

HDE 27.04.2021

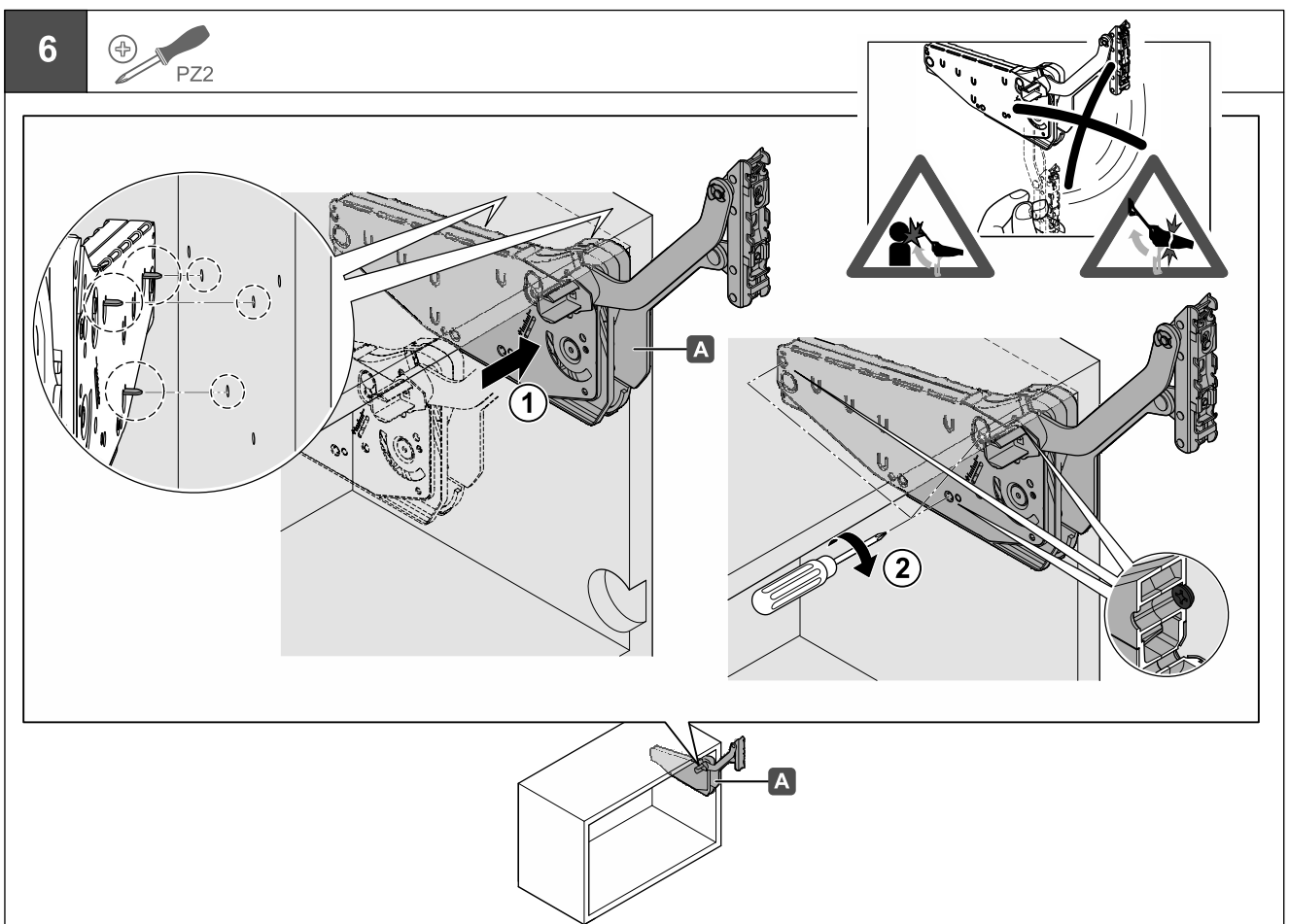
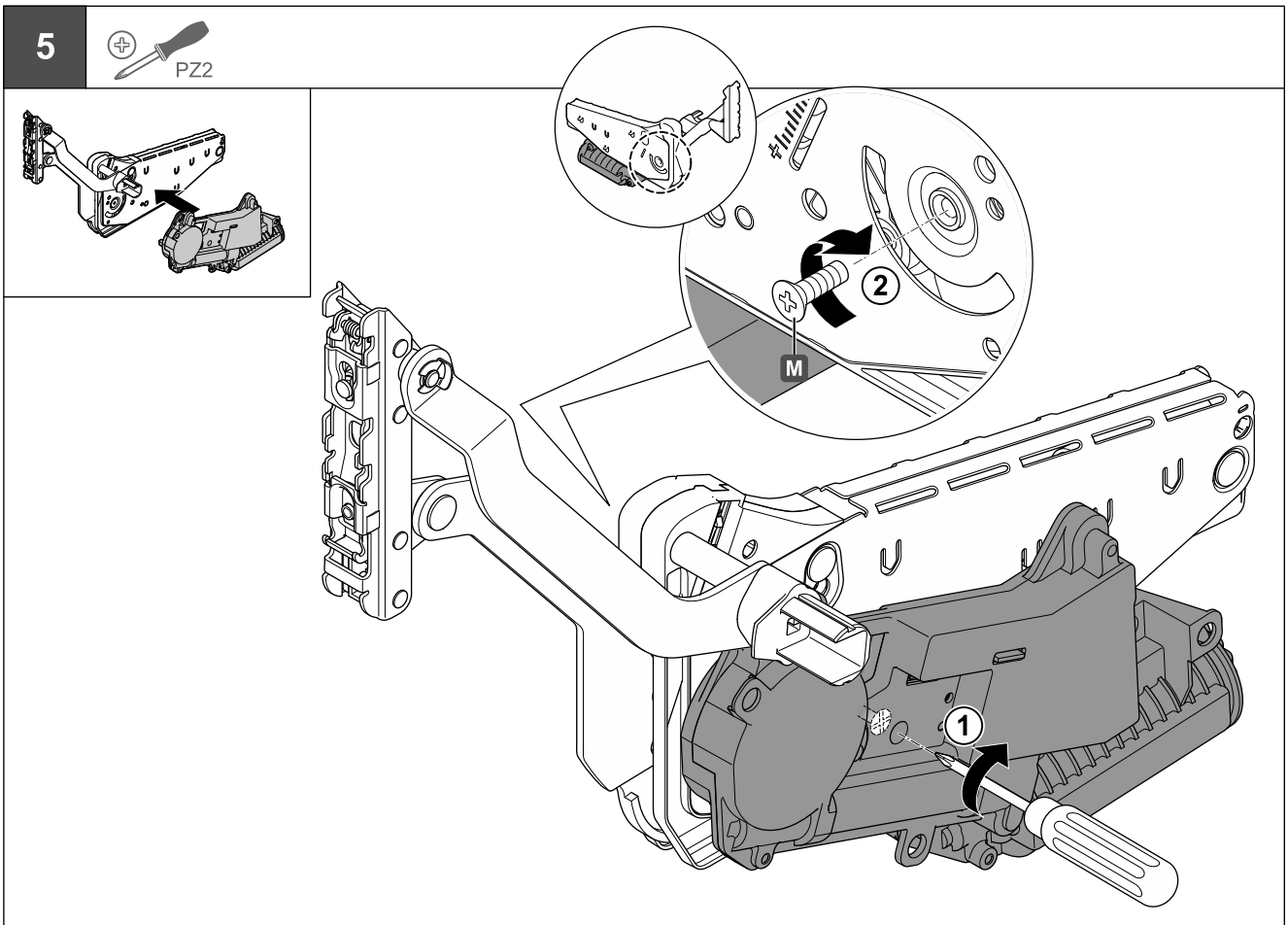
3

320 - 360	372.33.090
345 - 420	372.33.091
380 - 500	372.33.092
430 - 600	372.33.093

4

732.23.018

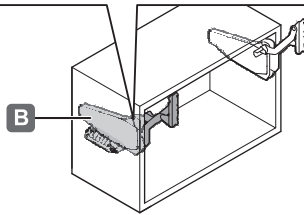
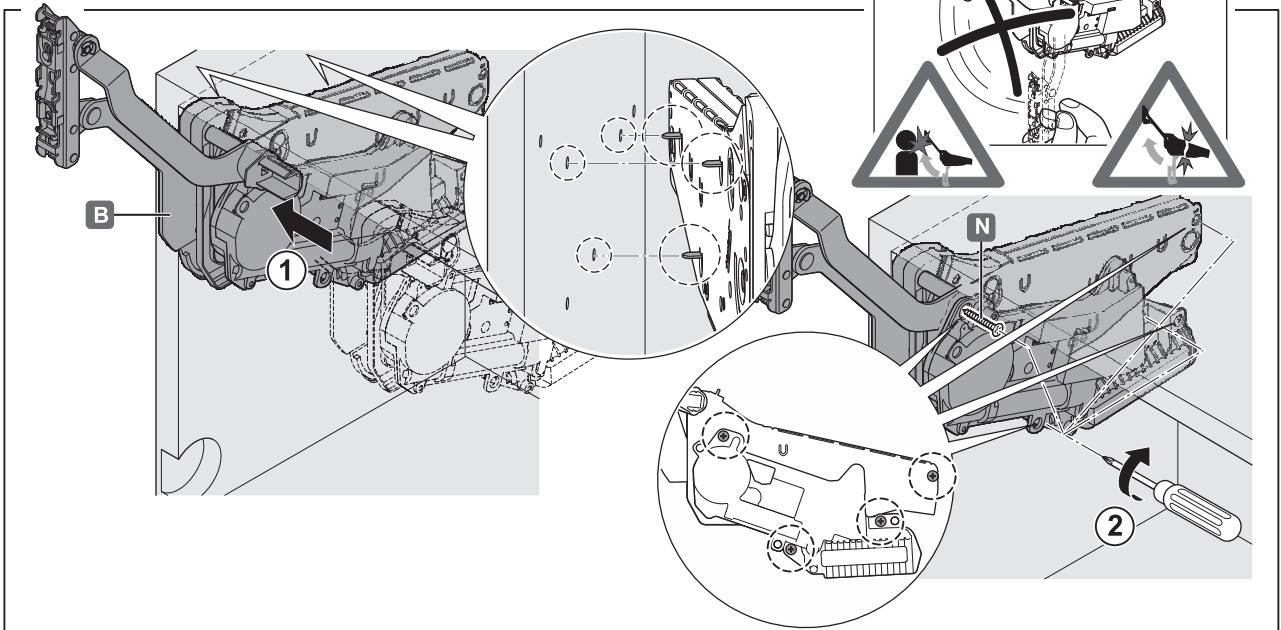
HDE 27.04.2021



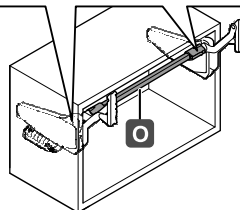
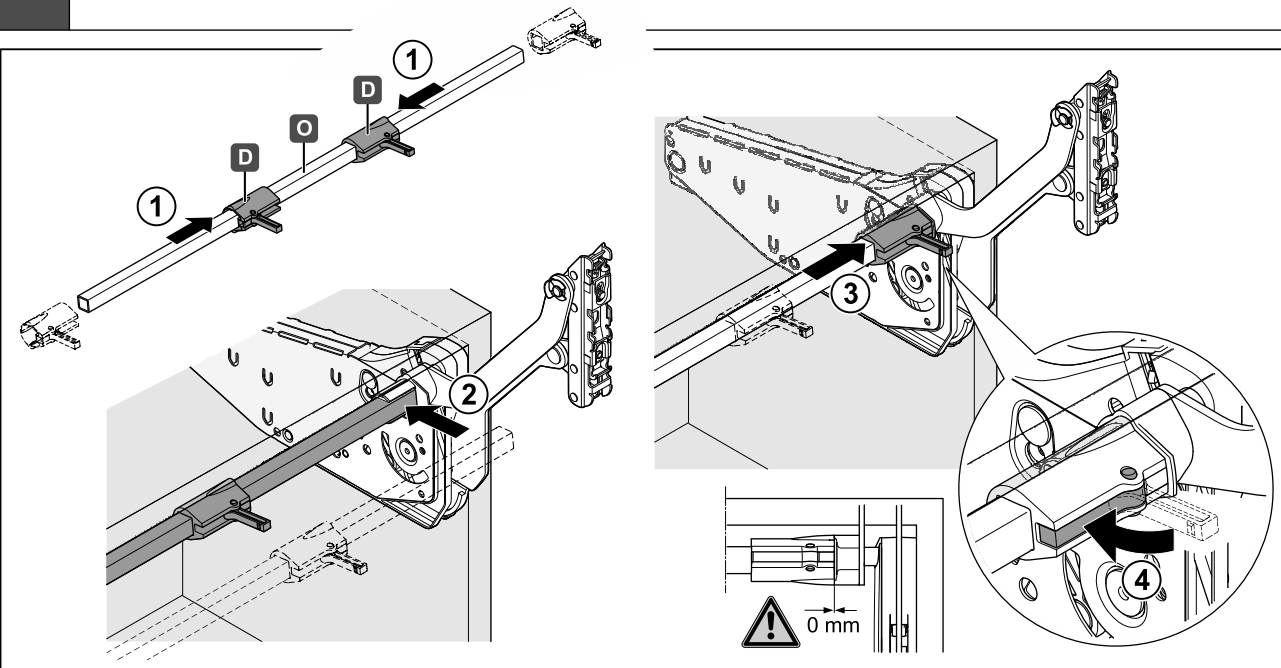
7



PZ2



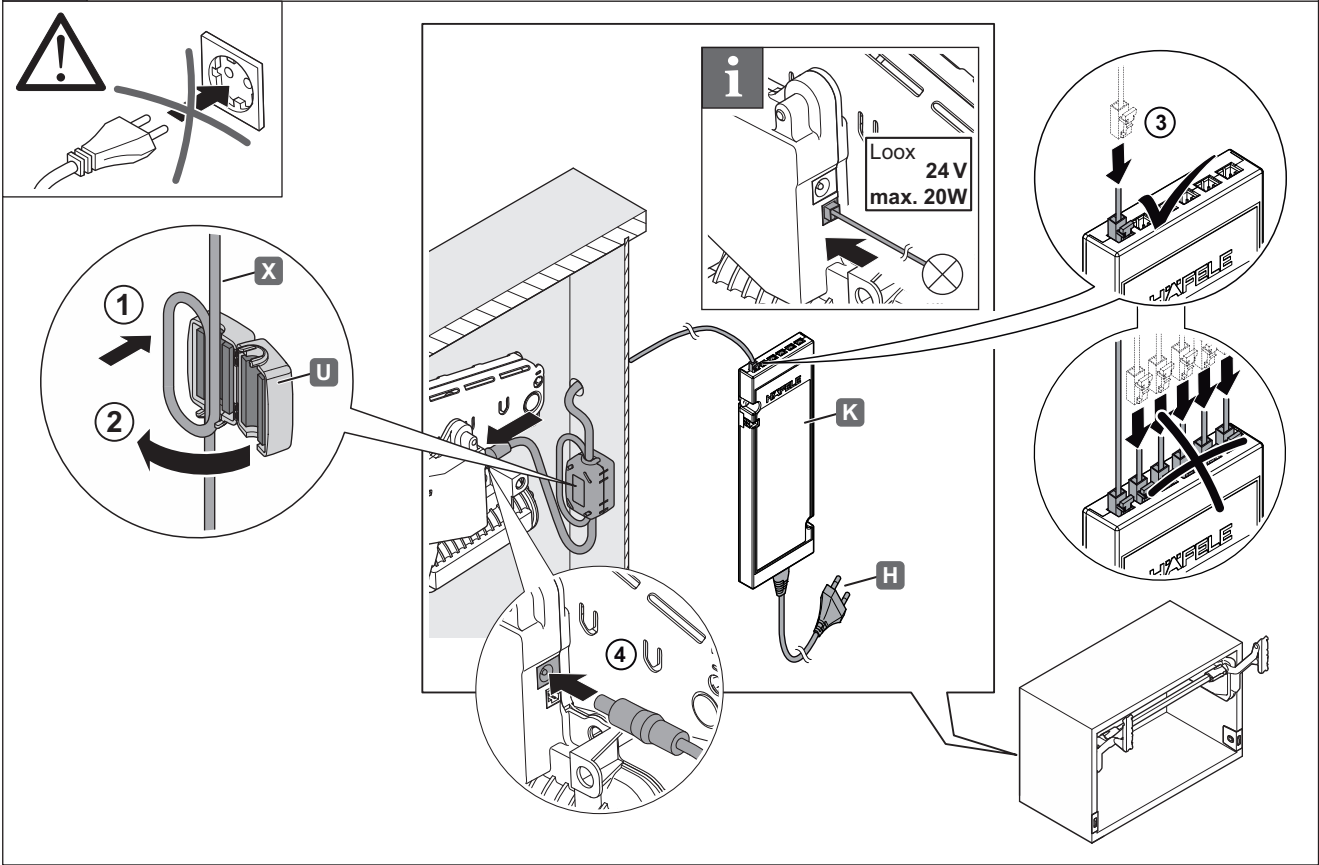
8



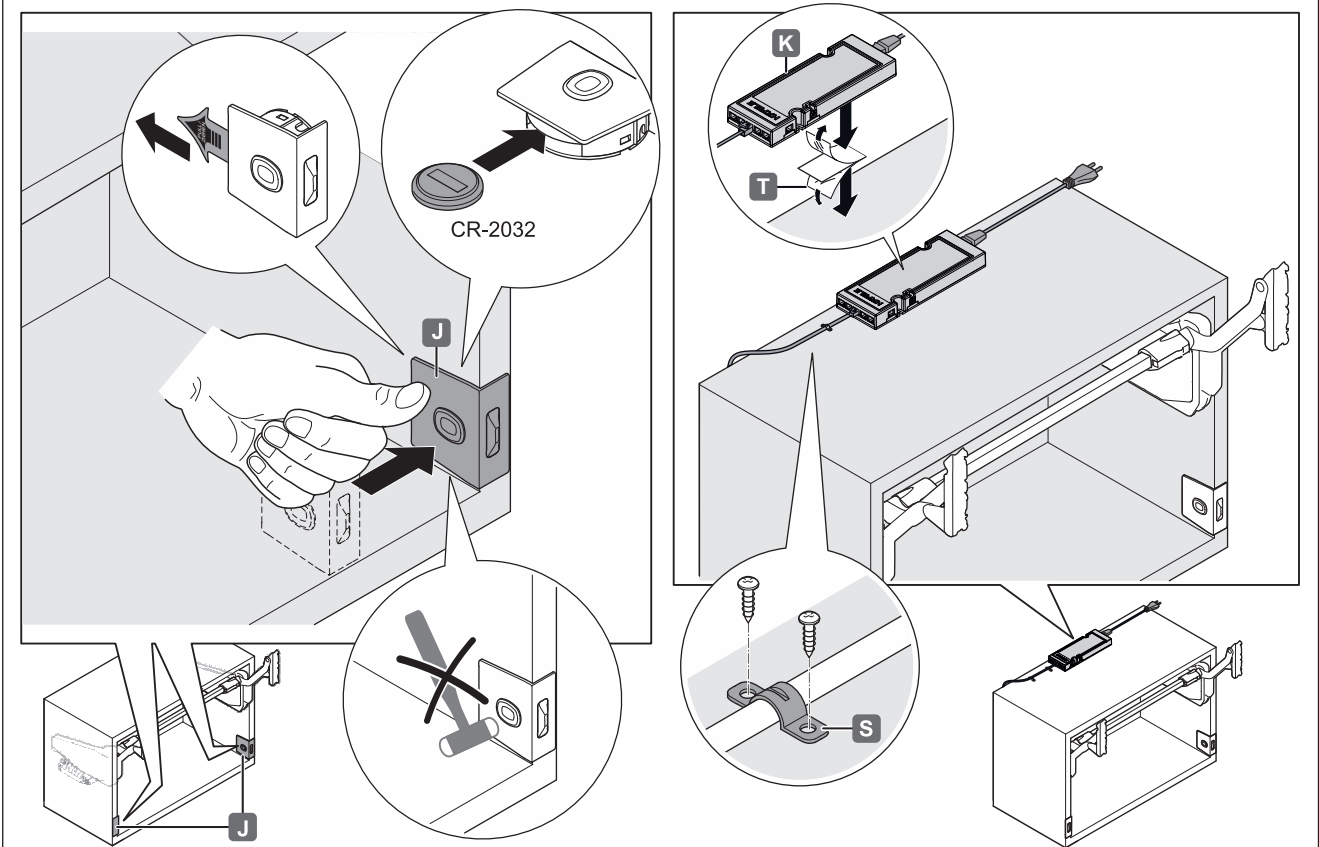
732.23.018

HDE 27.04.2021

9



10



732.23.018

HDE 27.04.2021

11 5 mm 9 mm 5 mm

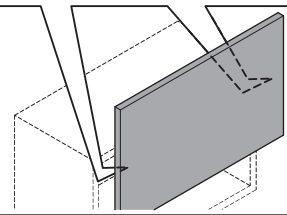
KH	X
320 - 360	157
345 - 420	185
380 - 500	220
430 - 600	265

$A1/A2$

$B^* = A1 - 5.5$
 $B \text{ min.} = 7.0$
 $B \text{ max.} = 13.5$

$A = K - F$

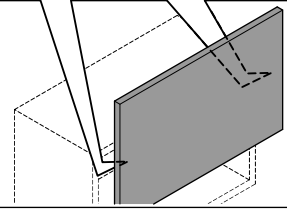
90°



12

1 **2** **3**

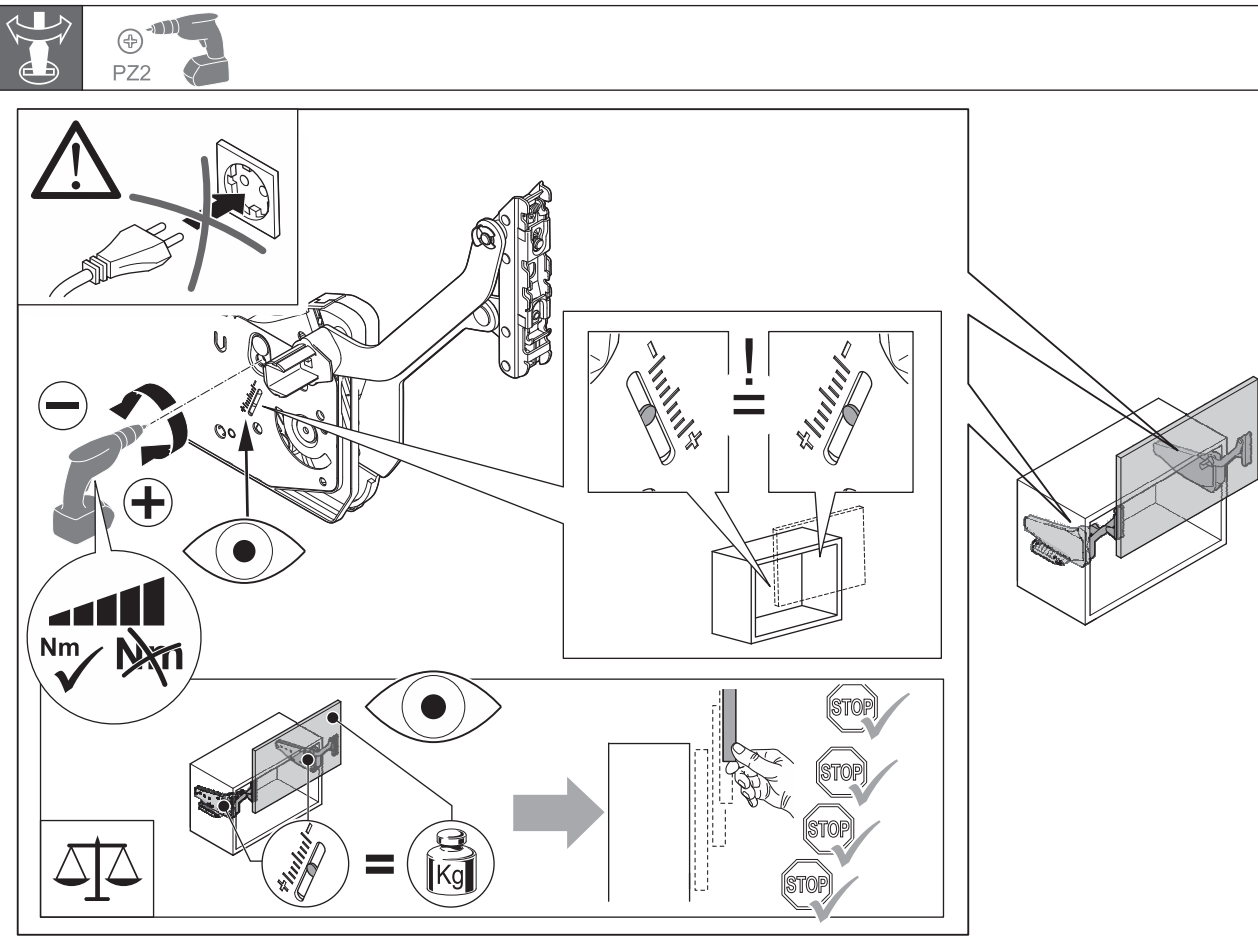
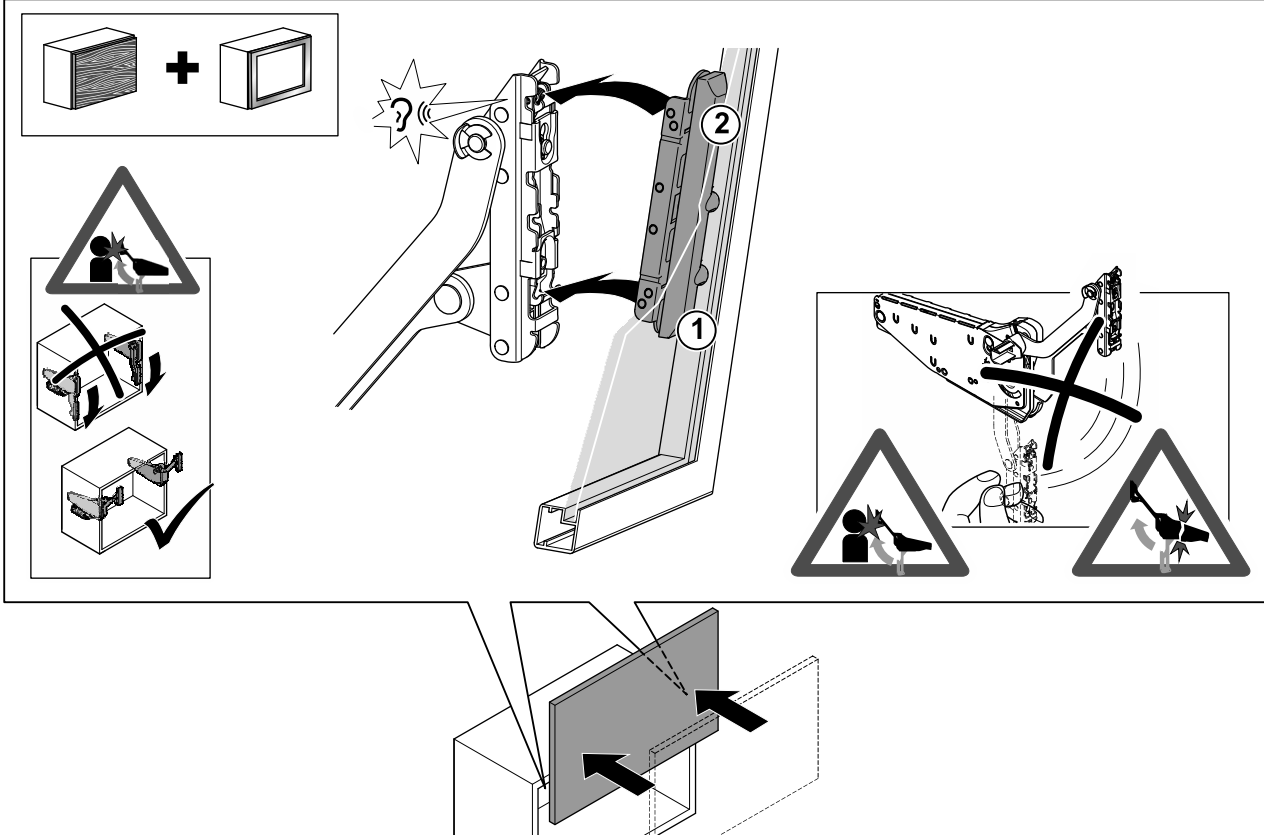
C **P** **Q**



732.23.018

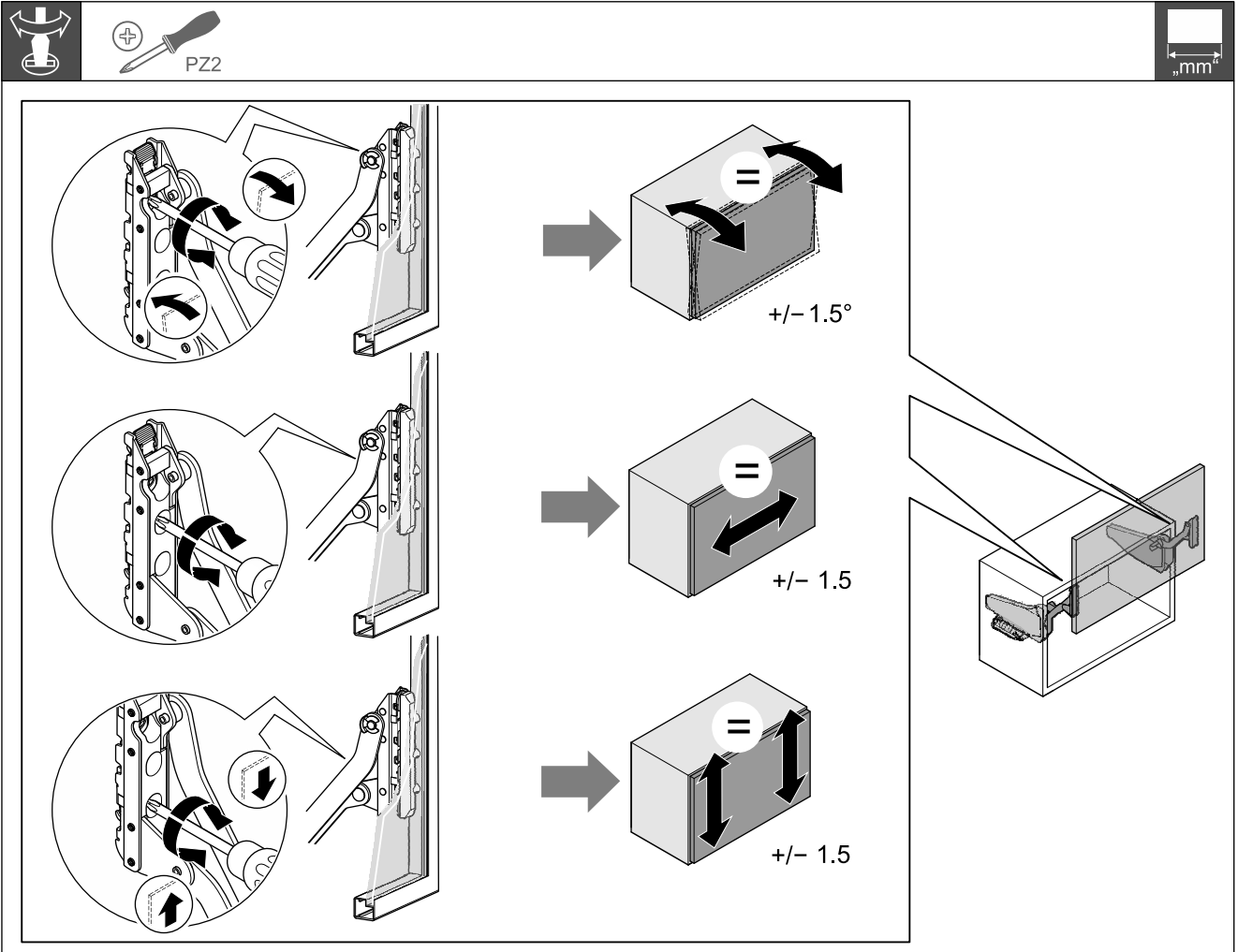
HDE 27.04.2021

13



732.23.018

HDE 27.04.2021

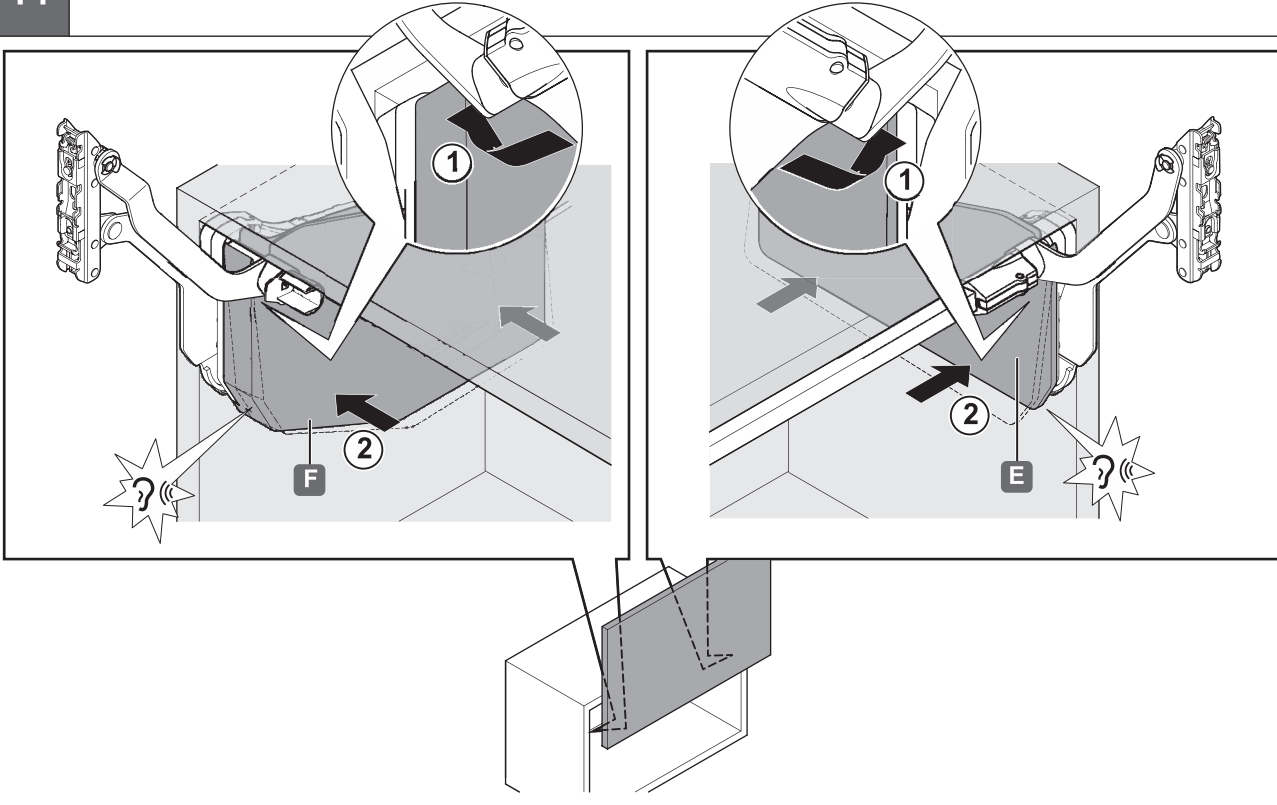


732.23.018

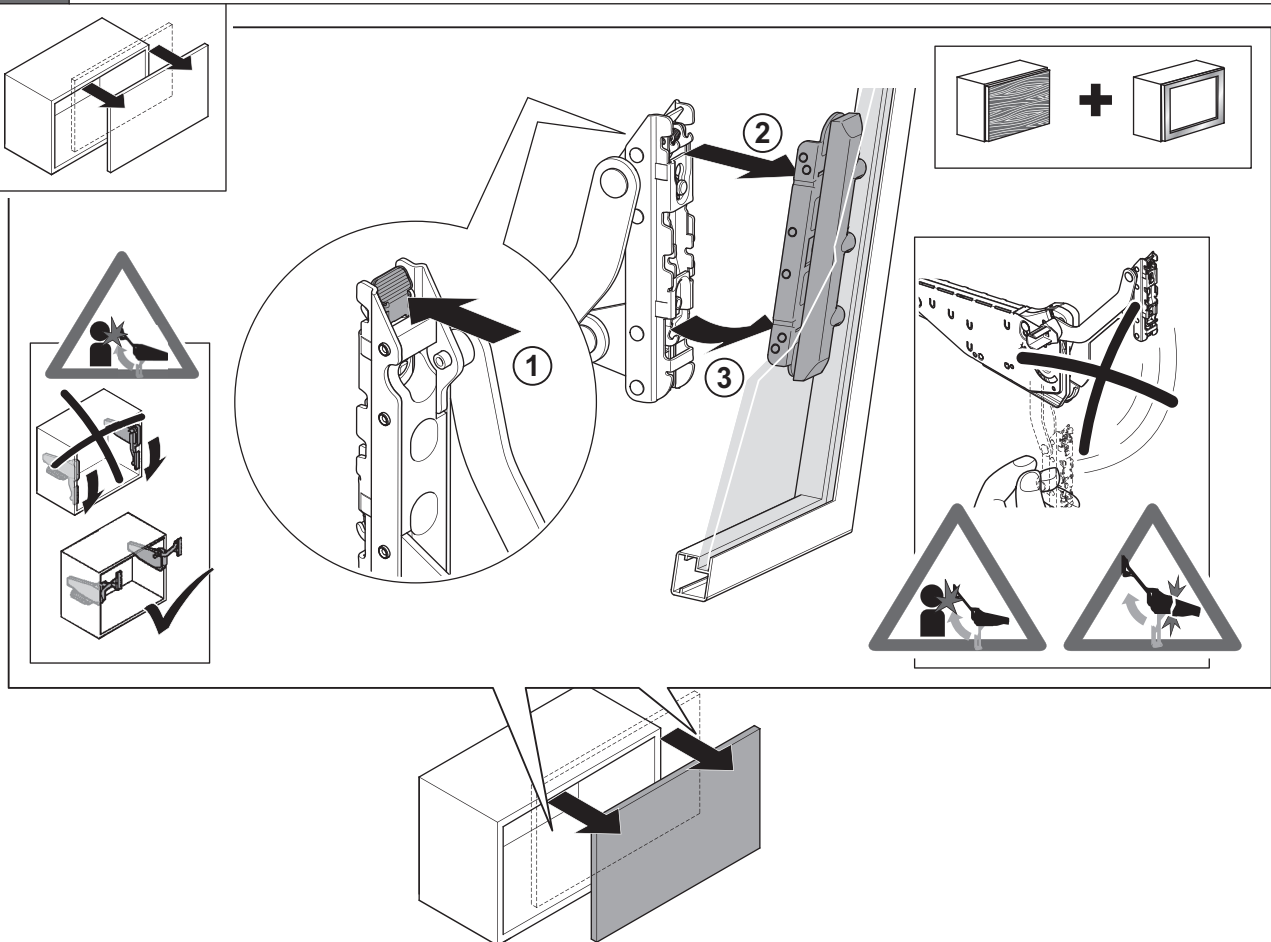


HDE 27.04.2021

14



i



732.23.018

HDE 27.04.2021