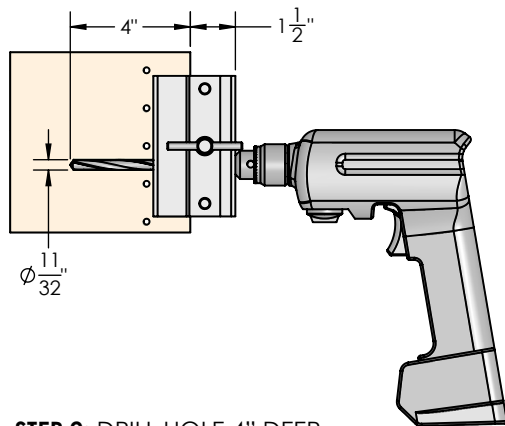
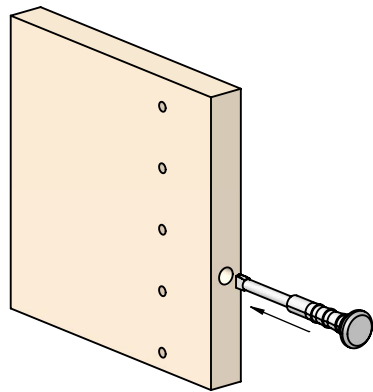


STEP 1: PLACE JIG ON PANEL WITH BORE HOLE BETWEEN SYSTEM HOLES. LOAD DRILLBIT INTO DRILL LEAVING 5 1/2" OF DRILLBIT EXPOSED



STEP 2: DRILL HOLE 4" DEEP AND REMOVE SAWDUST FROM HOLE THOROUGHLY



STEP 3: PRESS-FIT PIN INTO HOLE BY TAPPING WITH RUBBER Mallet TO PROTECT FINISH