



Slido

941.62.009
941.62.010

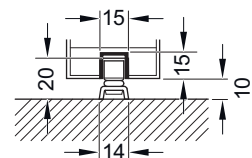
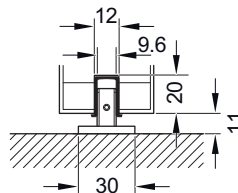
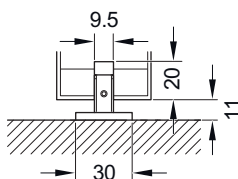
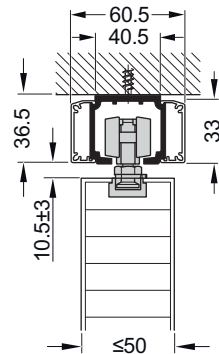
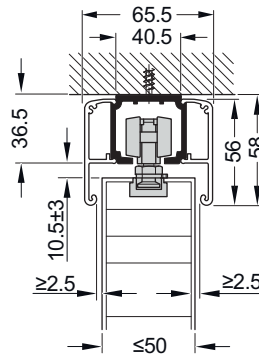
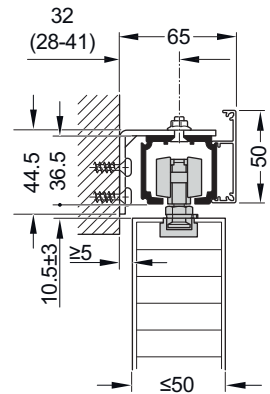
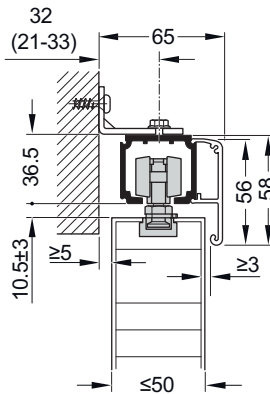
D-Line11	
160C	941.62.010
160P	941.62.009

i

D-Line11 160C



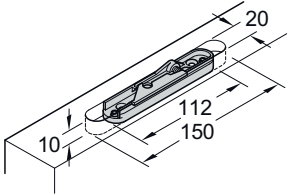
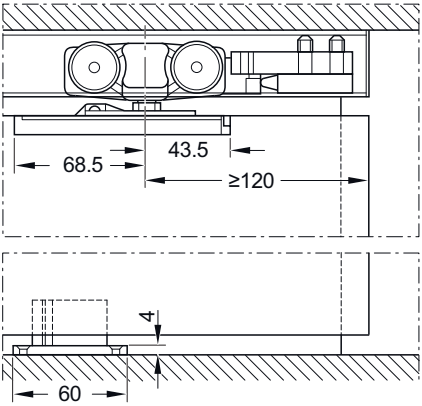
7.32.29.791



HDE 18.01.2021

i

D-Line11 160C



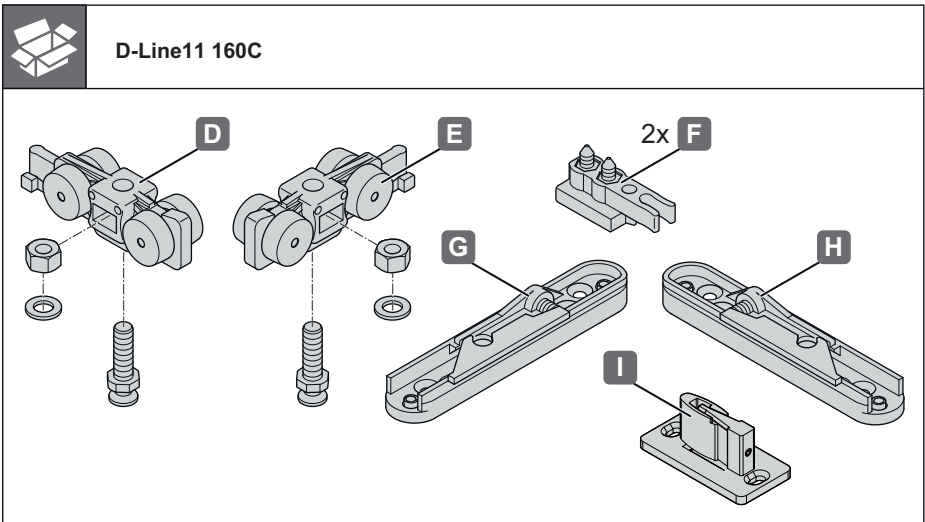
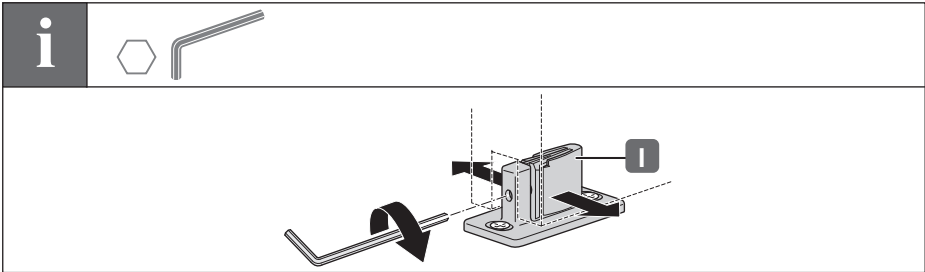
732.29.791

i

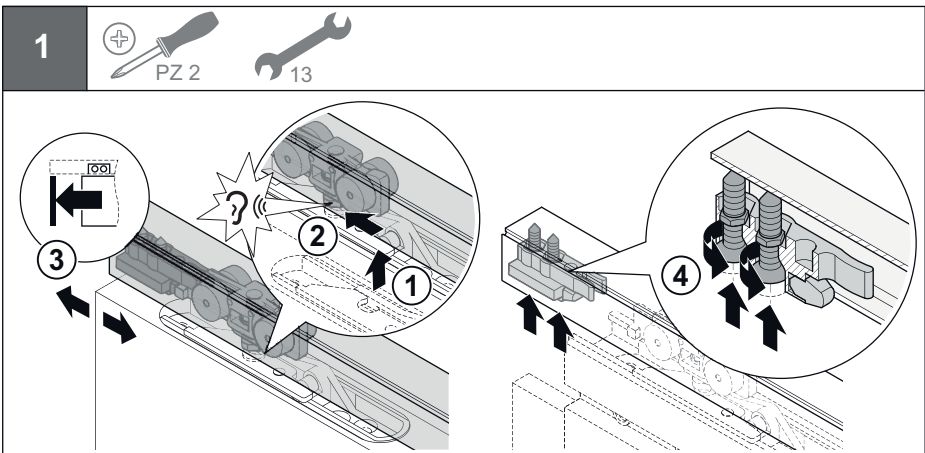
D-Line11 160C



HDE 18.01.2021



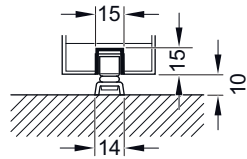
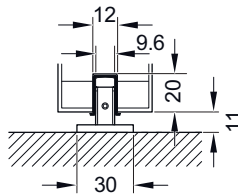
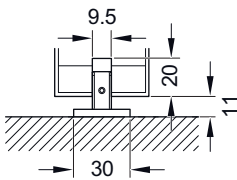
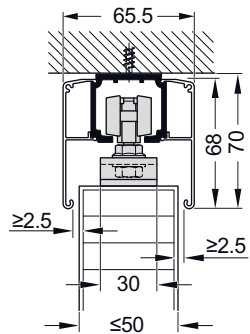
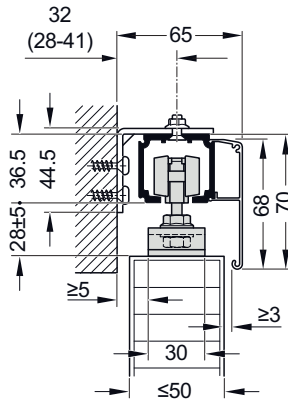
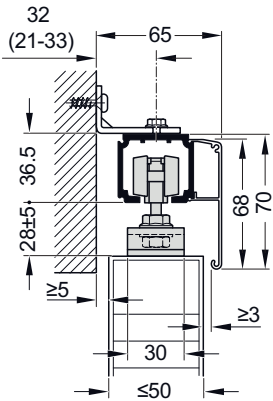
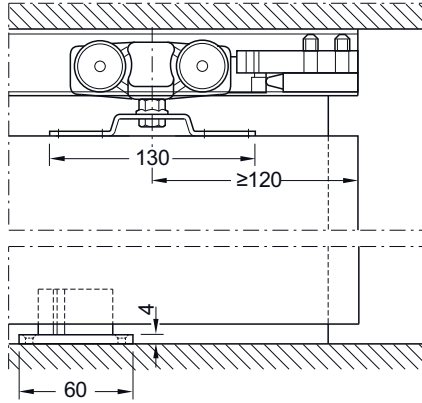
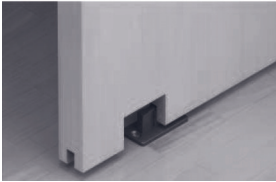
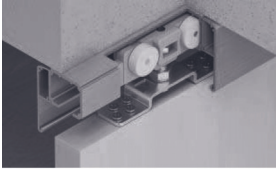
732.29.791



HDE 18.01.2021

i

D-Line11 160P



732.29.791

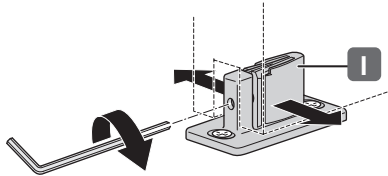
HDE 18.01.2021

i

D-Line11 160P

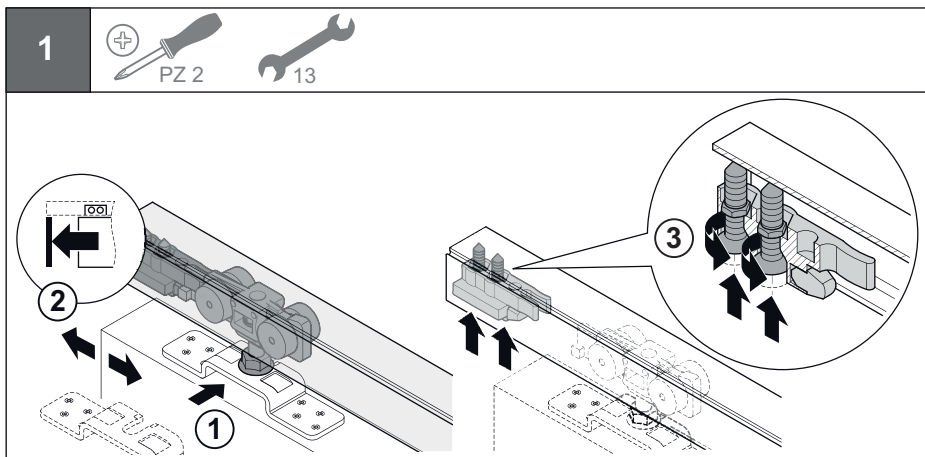
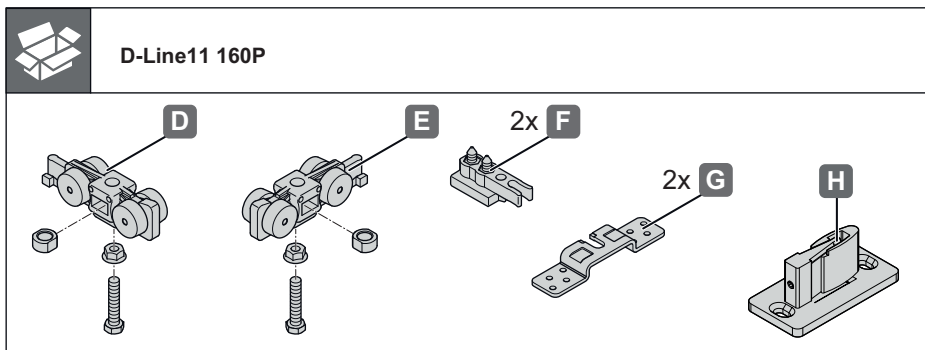


i



732.29.791

HDE 18.01.2021



732.29.791

HDE 18.01.2021