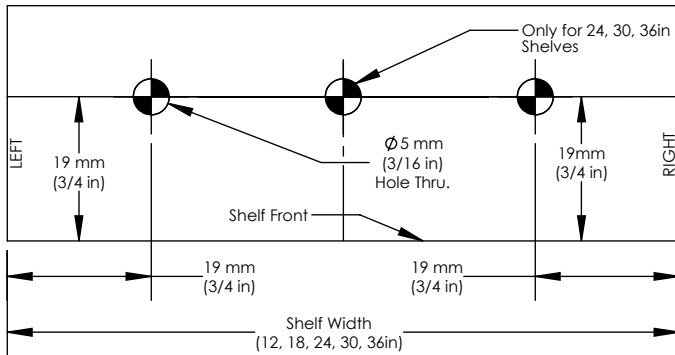


STEP 1: DRILL \varnothing 5mm HOLES THRU SHELF AS SHOWN. FOR 24, 30, 36in SIZES, DRILL HOLE FOR CENTER POST 3/4in FROM FRONT EDGE



STEP 2: USE #8-32 x 1 inch SCREWS TO ASSEMBLE

