



Slido

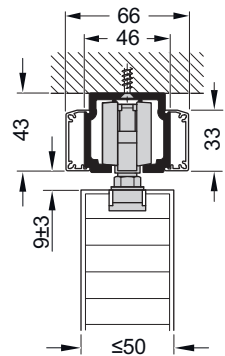
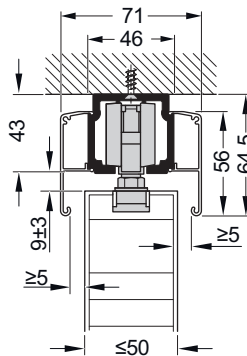
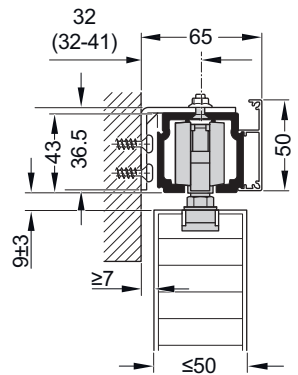
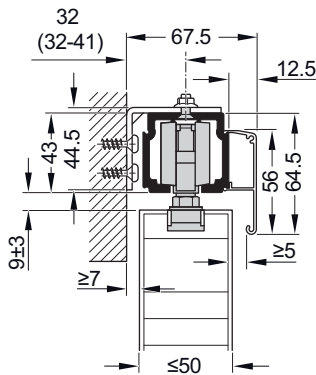
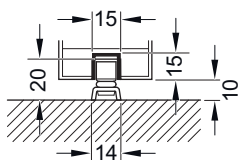
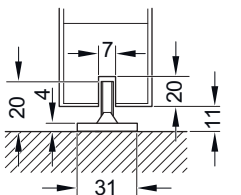
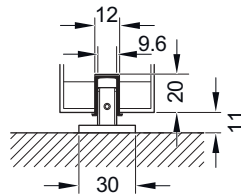
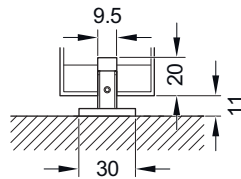
942.35.004
942.35.003

| | |
|-----------------|------------|
| D-Line11 | |
| 240C | 942.35.003 |
| 240P | 942.35.004 |

i

D-Line11 240C

„mm“

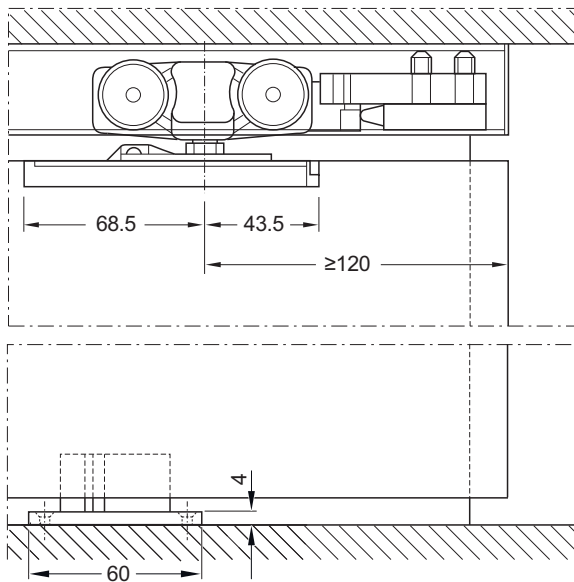
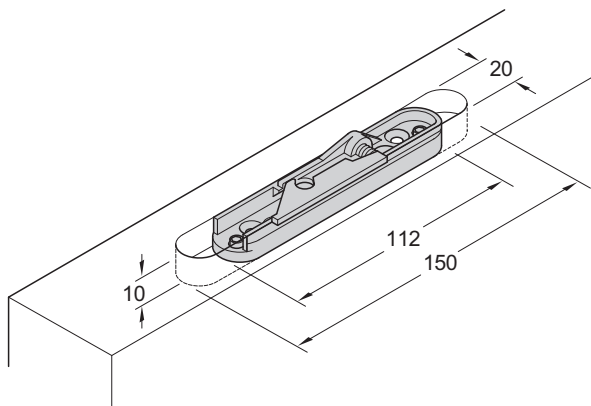


732.29.790

HDE 18.01.2021

i

D-Line11 240C

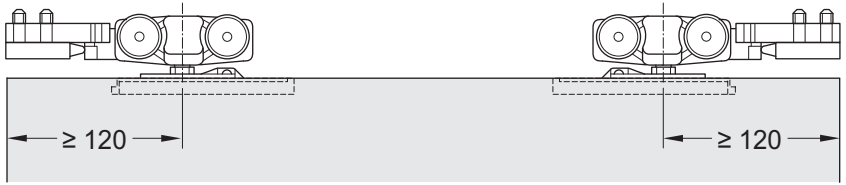


732.29.790

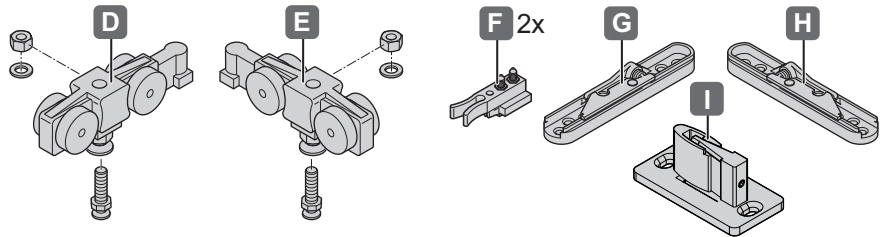
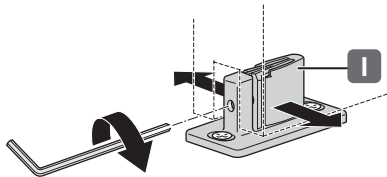
HDE 18.01.2021

i

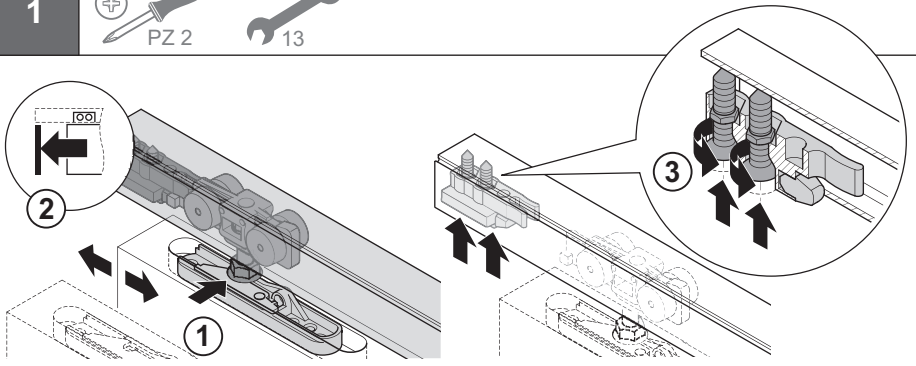
D-Line11 240C



i



1

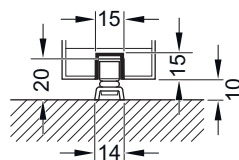
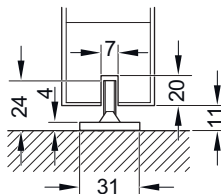
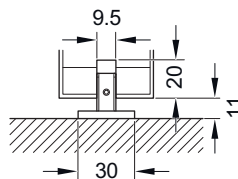
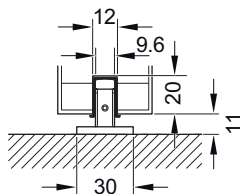
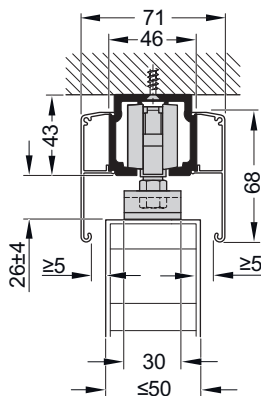
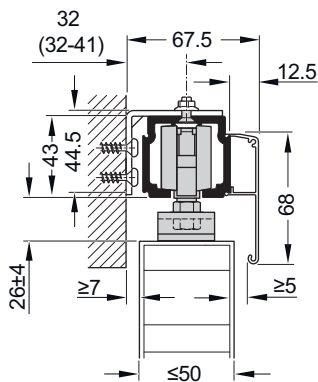


732.29.790

HDE 18.01.2021



D-Line11 240P

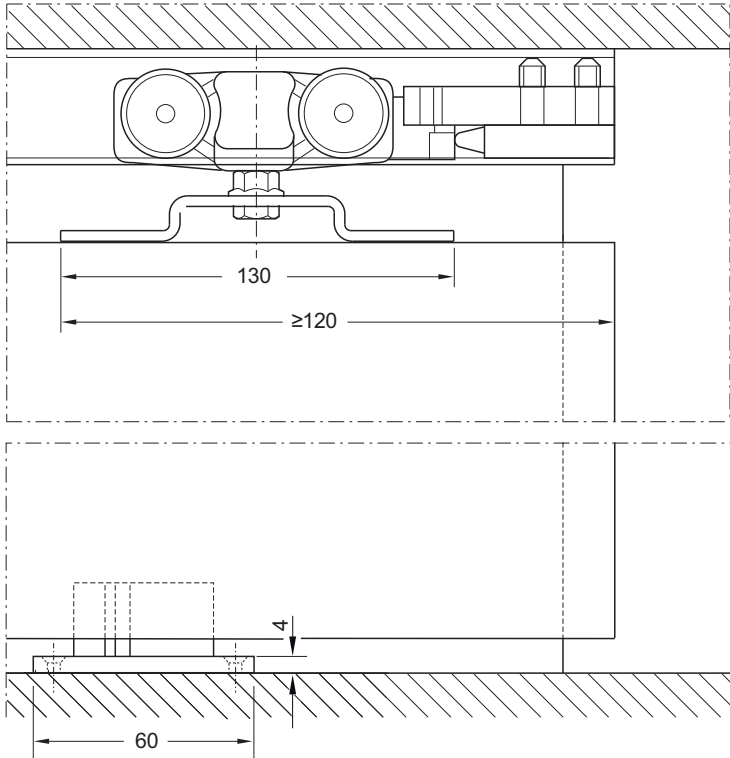


732.29.790

HDE 18.01.2021



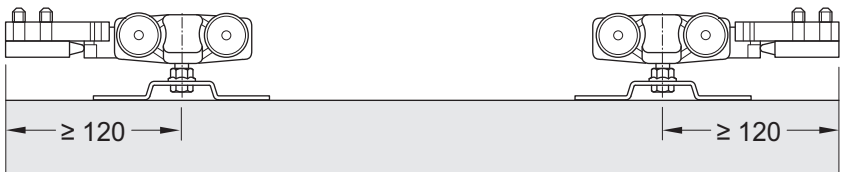
D-Line11 240P



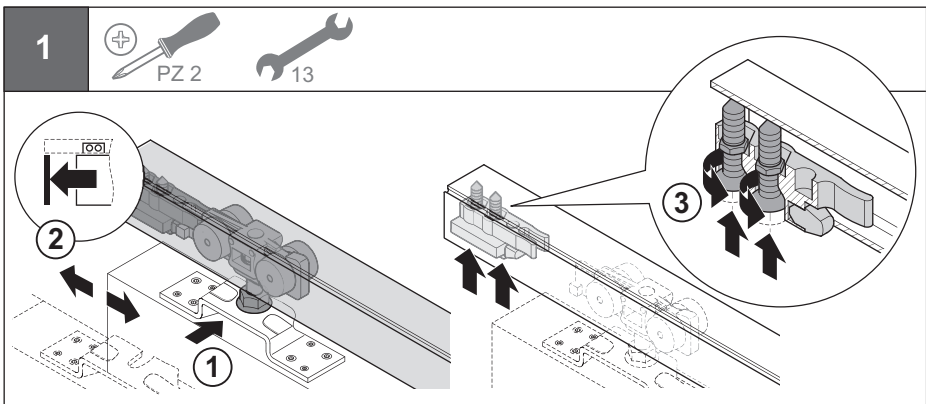
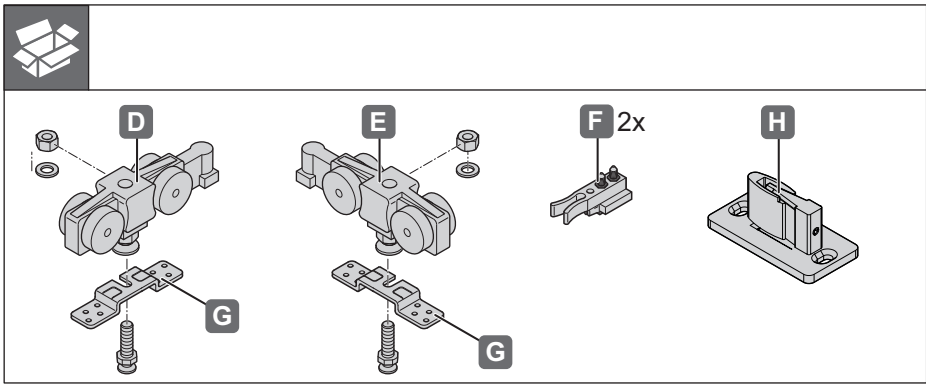
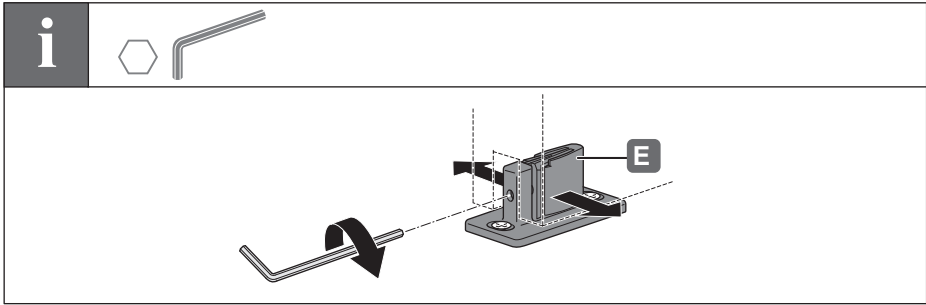
732.29.790



D-Line11 240P



HDE 18.01.2021



732.29.790

HDE 18.01.2021