
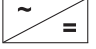
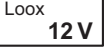



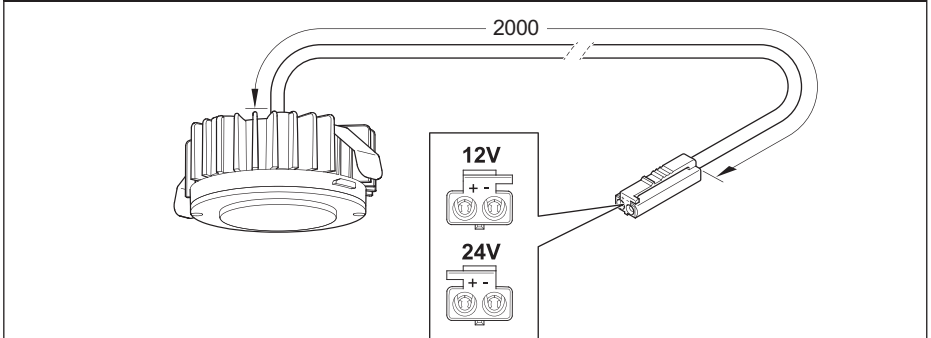


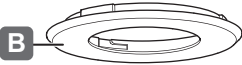
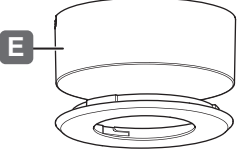
833.72.470	833.75.170
833.72.471	833.75.171
833.72.472	833.75.172
833.72.473	833.75.173

LED 2090 LED 3090

12 V System	24 V System	K	W	 mm	T _A	
833.72.470	2700 K	1.2 W	Ø 24 x 14.5	-20 °C – +45 °C -4 °F – +113 °F		
833.72.471	3000 K					
833.72.472	4000 K					
833.72.473	5000 K					
833.75.170	2700 K					
833.75.171	3000 K					
833.75.172	4000 K					
833.75.173	5000 K					


732.28.335

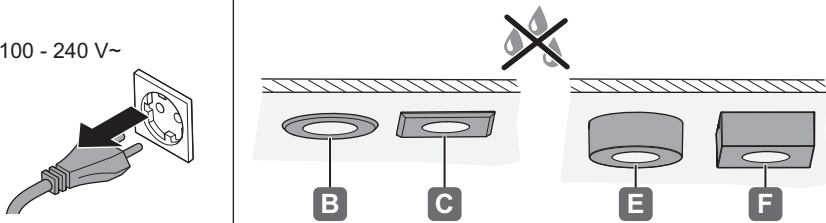


	833.89.222	833.89.229
	833.89.223	833.89.230
	833.89.224	833.89.231
	833.89.225	833.89.232
	833.89.226	833.89.233
	833.89.227	833.89.234
	833.89.228	833.89.235
	833.89.236	833.89.243
	833.89.237	833.89.244
	833.89.238	833.89.245
	833.89.239	833.89.246
	833.89.240	833.89.247
	833.89.241	833.89.248
	833.89.242	833.89.249


HDE 28.03.2022

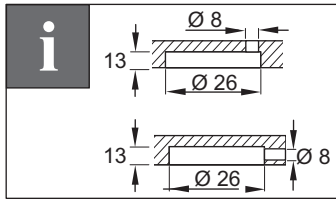
i  „mm“

 100 - 240 V~



B **C** **E** **F**

1A  26 mm 8 mm „mm“



i

$\varnothing 8$

13

$\varnothing 26$

13

$\varnothing 26$

$\varnothing 8$

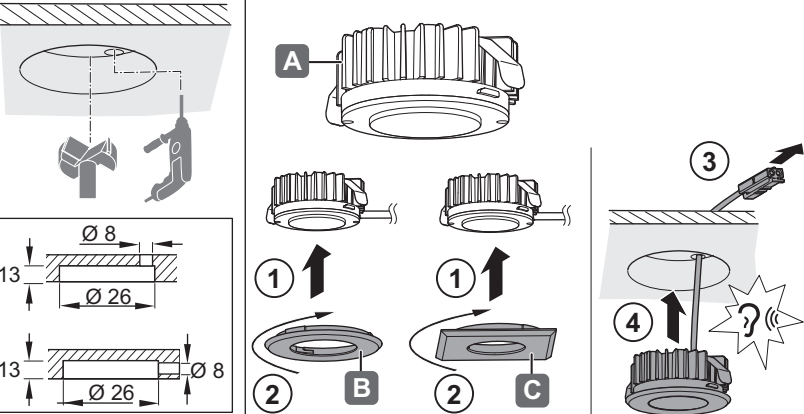
A

1 **2** **B**

1 **2** **C**

3

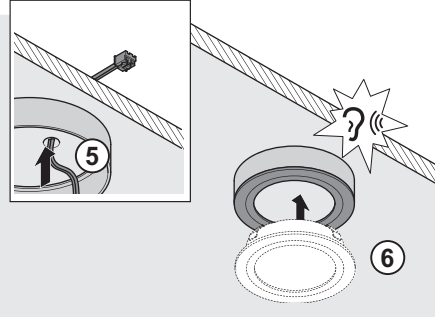
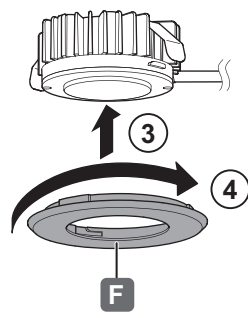
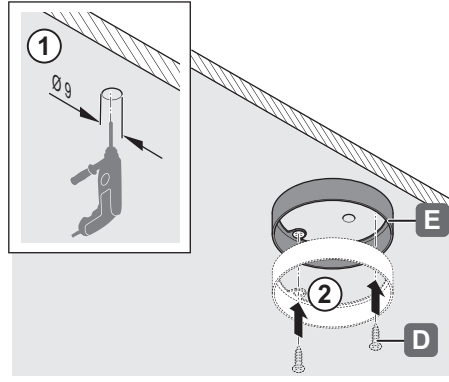
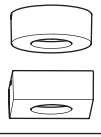
4 **?**



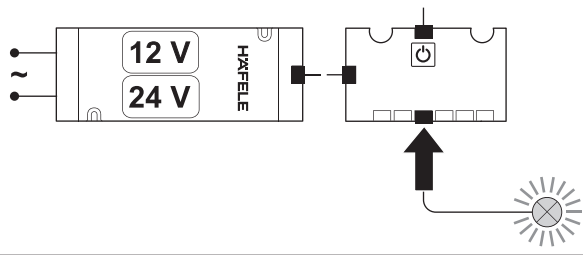
732.28.335

HDE 28.03.2022

1B



2



732.28.335

HDE 28.03.2022

732.28.335

HDE 28.03.2022