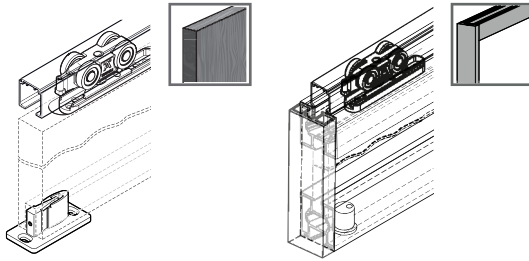








## Slido D-Line11





|            |            |
|------------|------------|
| 940.42.076 | 940.83.016 |
| 940.42.077 | 940.83.017 |
| 940.42.078 | 941.02.046 |
| 940.42.079 | 941.02.047 |
| 940.83.014 | 941.02.048 |
| 940.83.015 | 941.02.049 |


|             |  A |  B1 |  B2 |  E |
|-------------|---|--|--|---|
| <b>50C</b>  | 940.42.076  | 940.42.077   | 940.42.078   | 940.42.079  |
| <b>80C</b>  | 940.83.014  | 940.83.015   | 940.83.016   | 940.83.017  |
| <b>120C</b> | 941.02.046  | 941.02.047   | 941.02.048   | 941.02.049  |

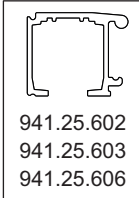
732.29.042

i

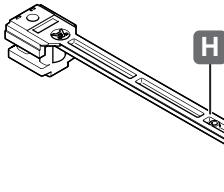
 B1

 B2

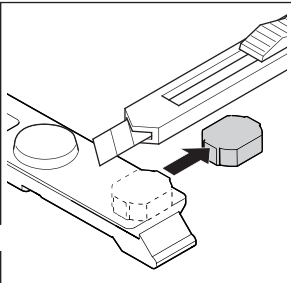
 E




941.25.602  
941.25.603  
941.25.606

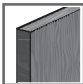


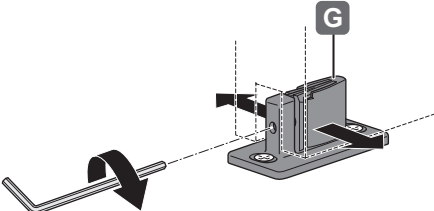
**H**



i







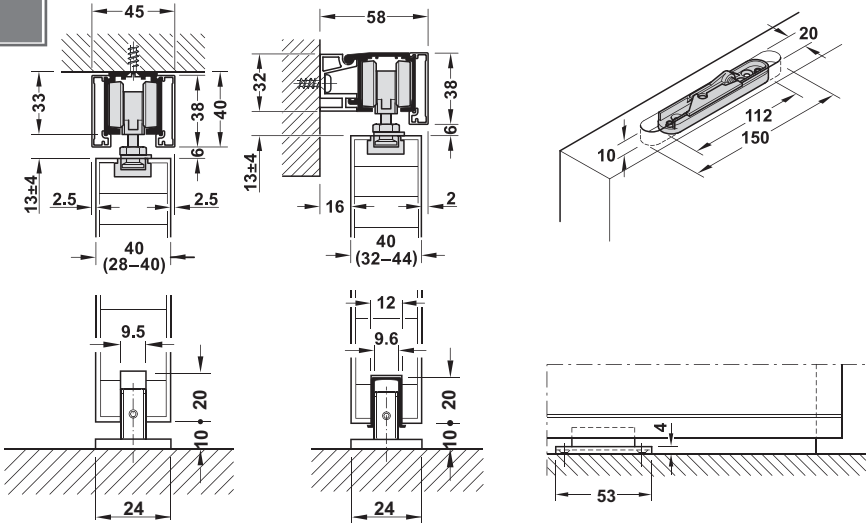
**G**

HDE 25.04.2022

1/12

i

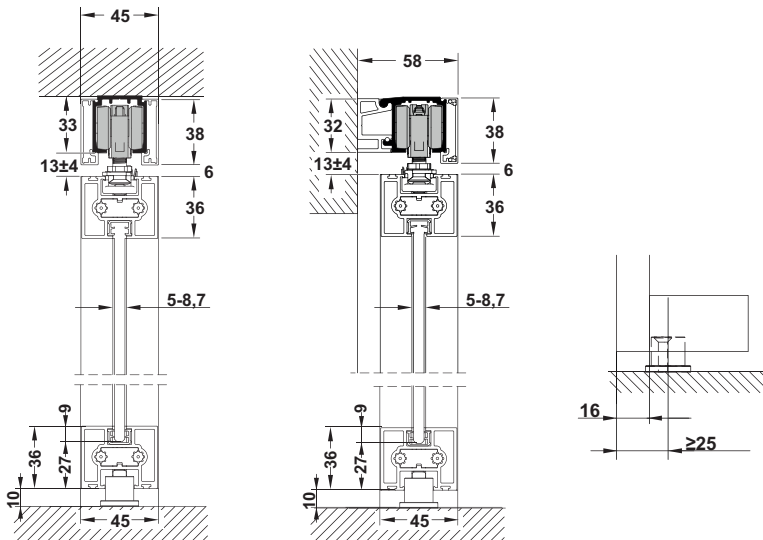
„mm“



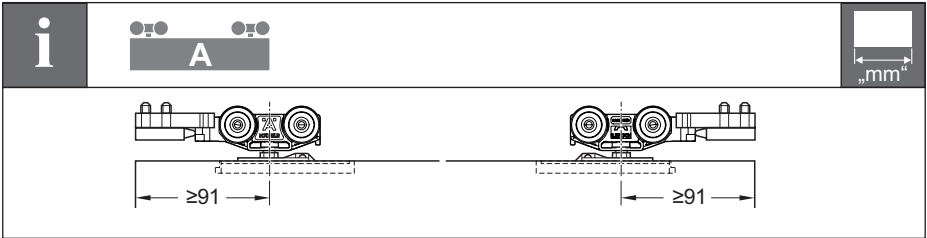
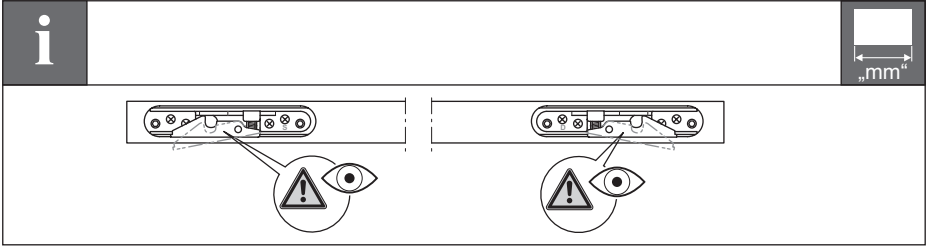
732.29.042

i

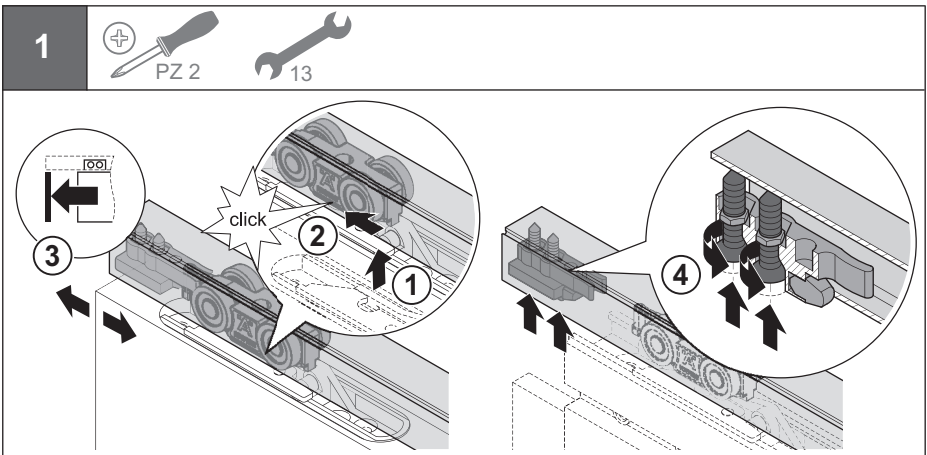
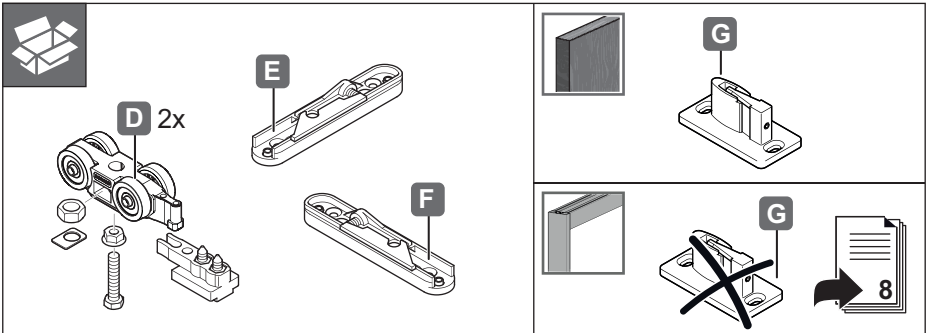
„mm“



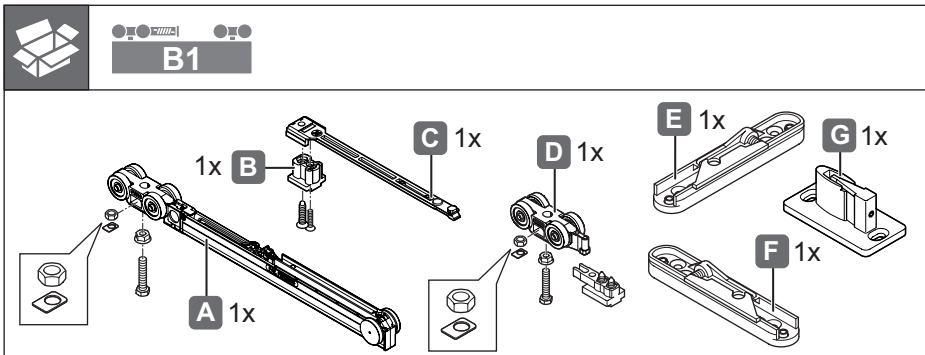
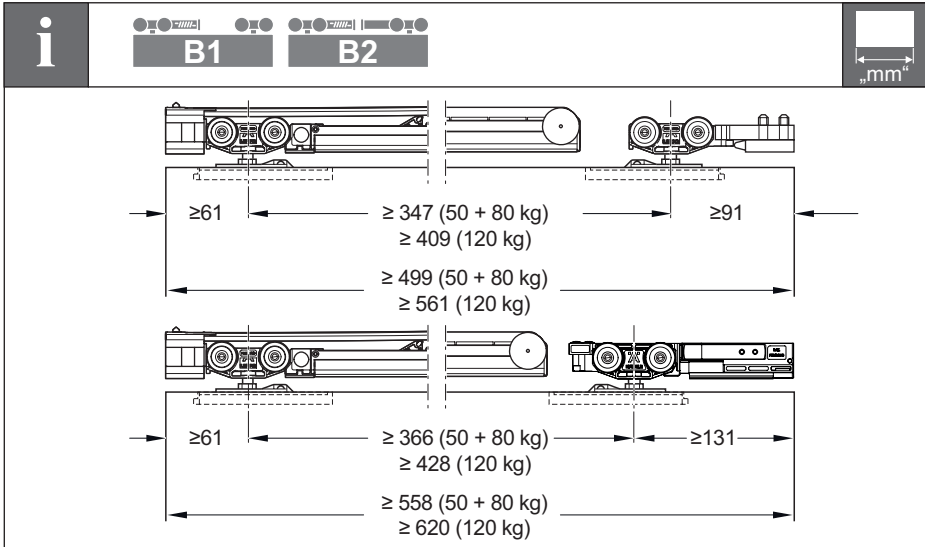
HDE 25.04.2022



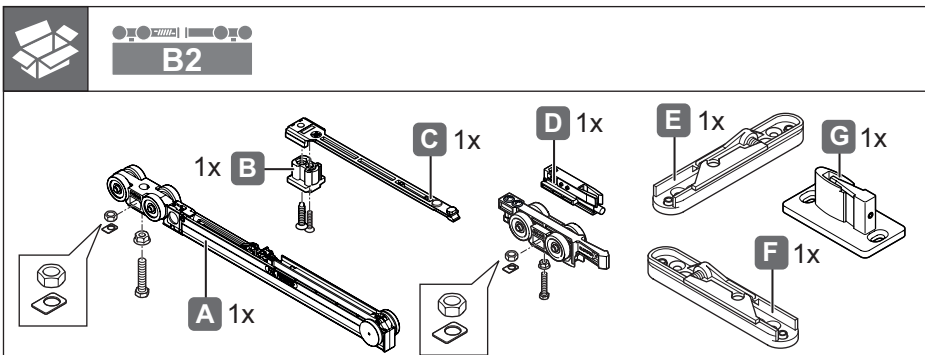
732\_29\_042



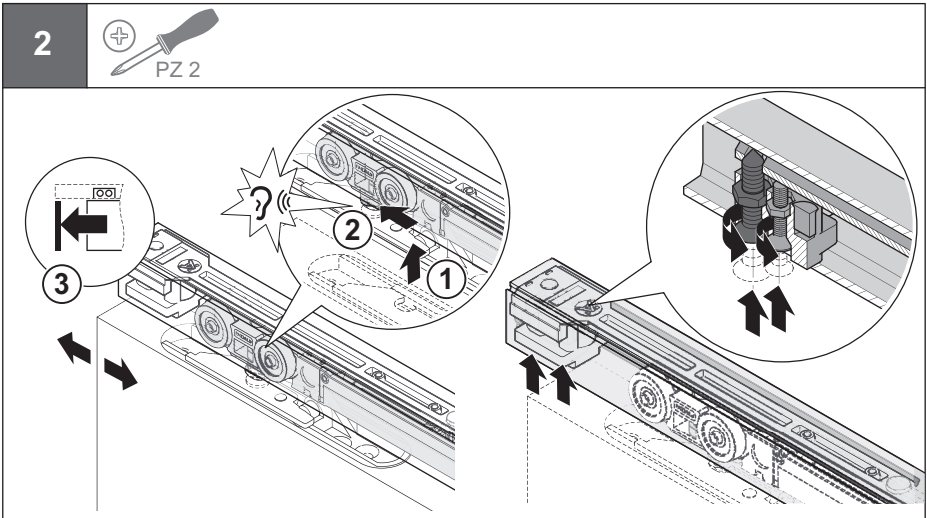
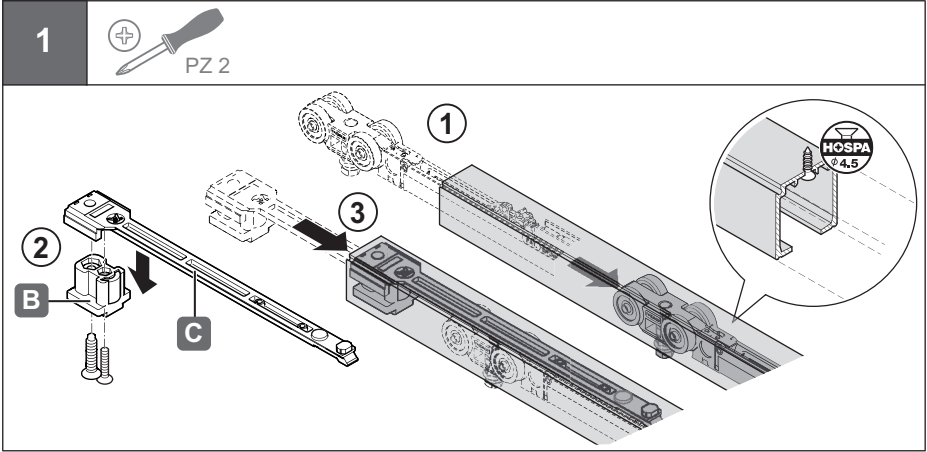
HDE 25.04.2022



732.29.042

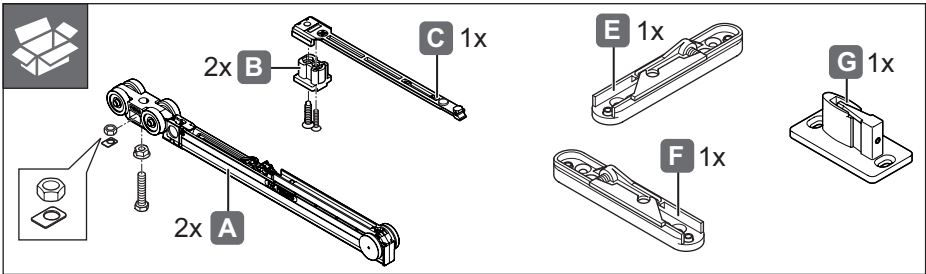
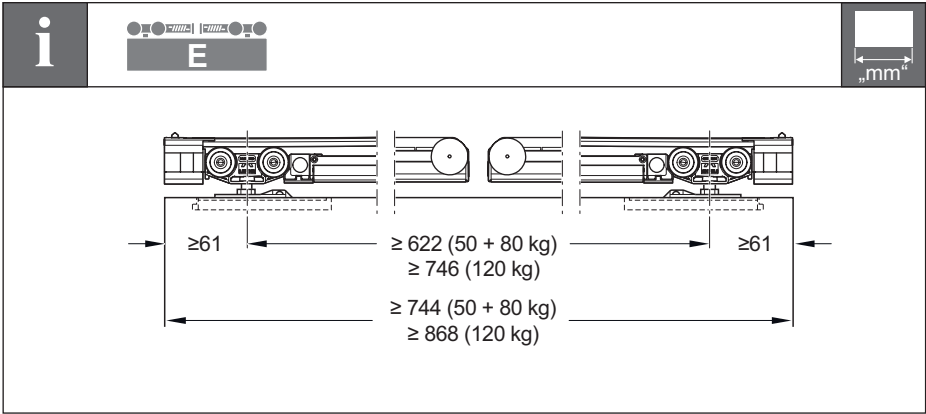


HDE 25.04.2022

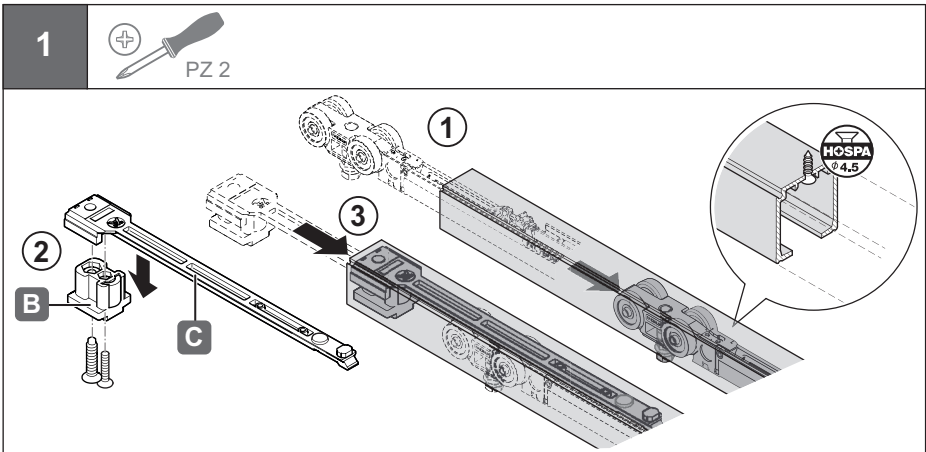


732\_29\_042

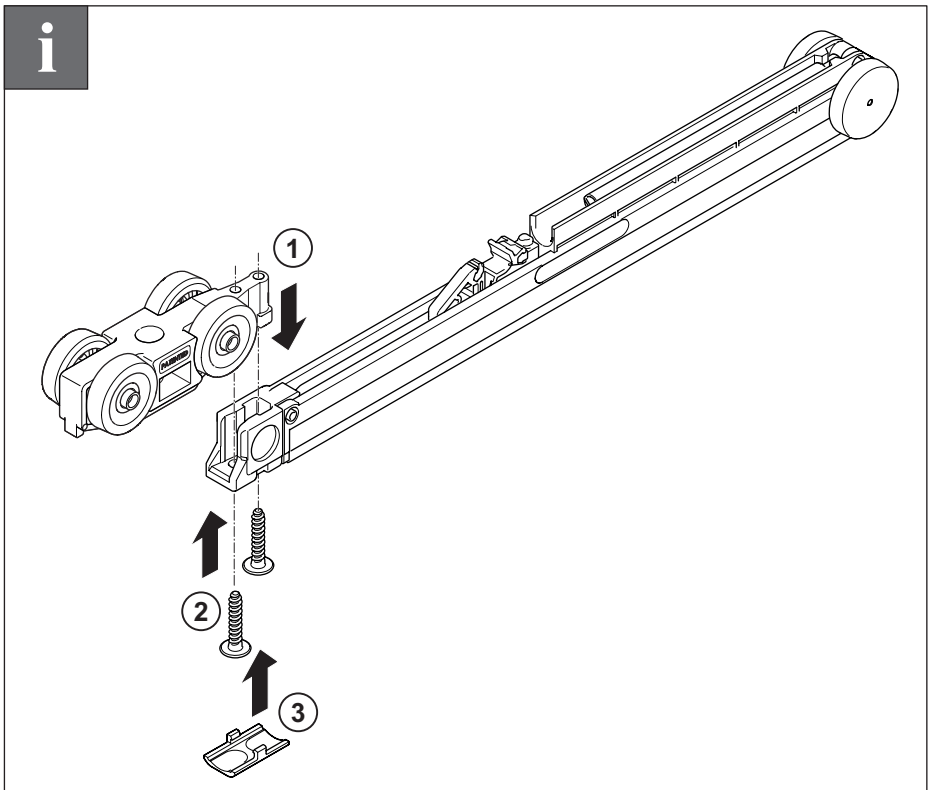
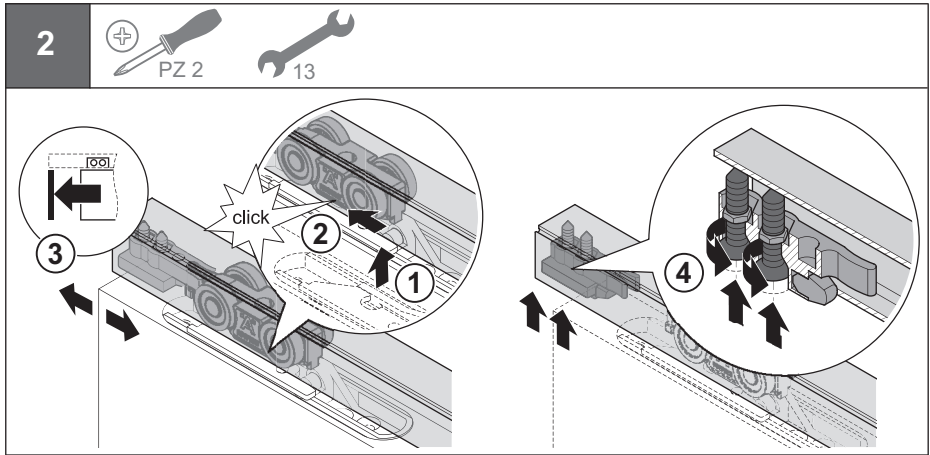
HDE 26.04.2022



732.29.042



HDE.25.04.2022

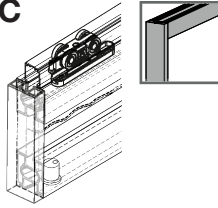


732\_29\_042

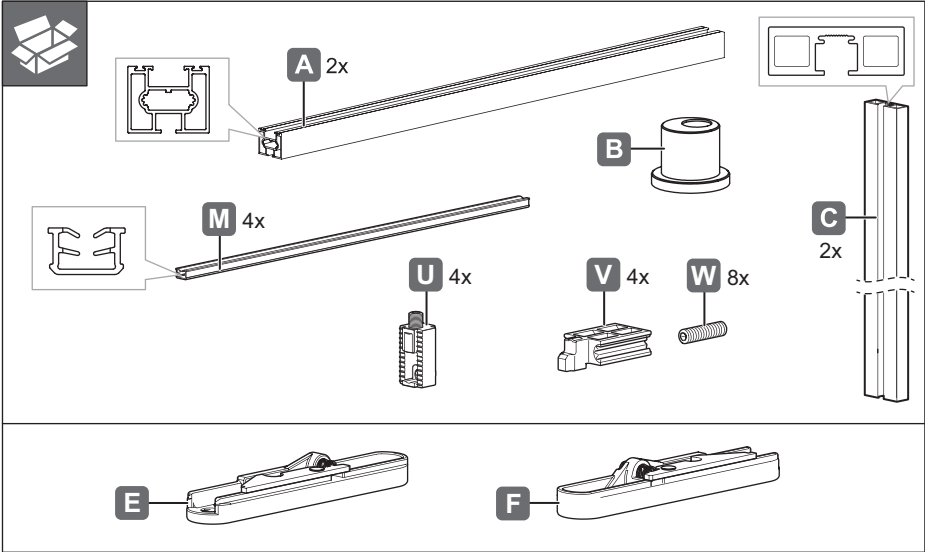
HDE 26.04.2022



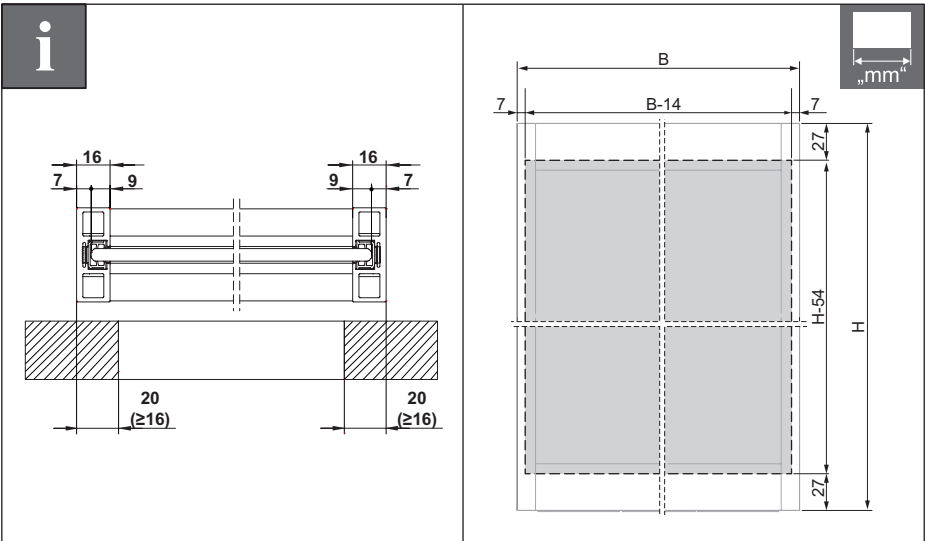
## Slido D-Line11 50C/80C



940.43.703  
 940.43.704  
 940.43.705  
 940.43.706

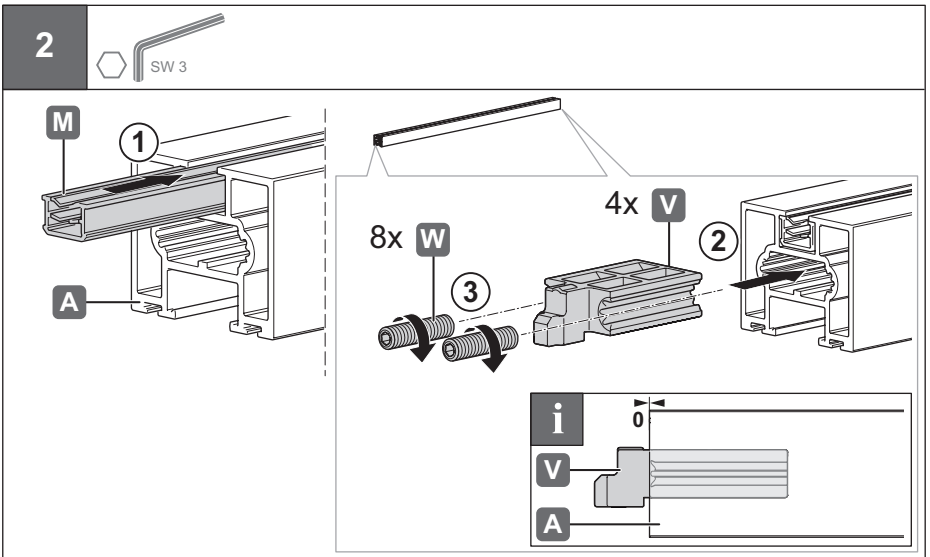
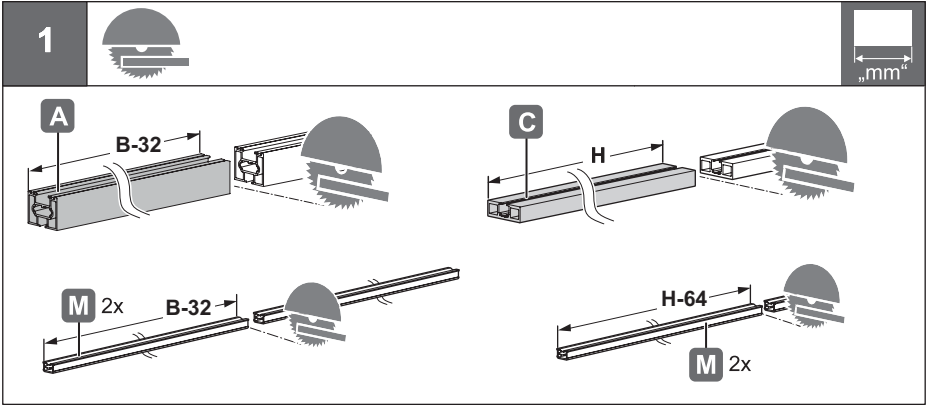


732.29.042



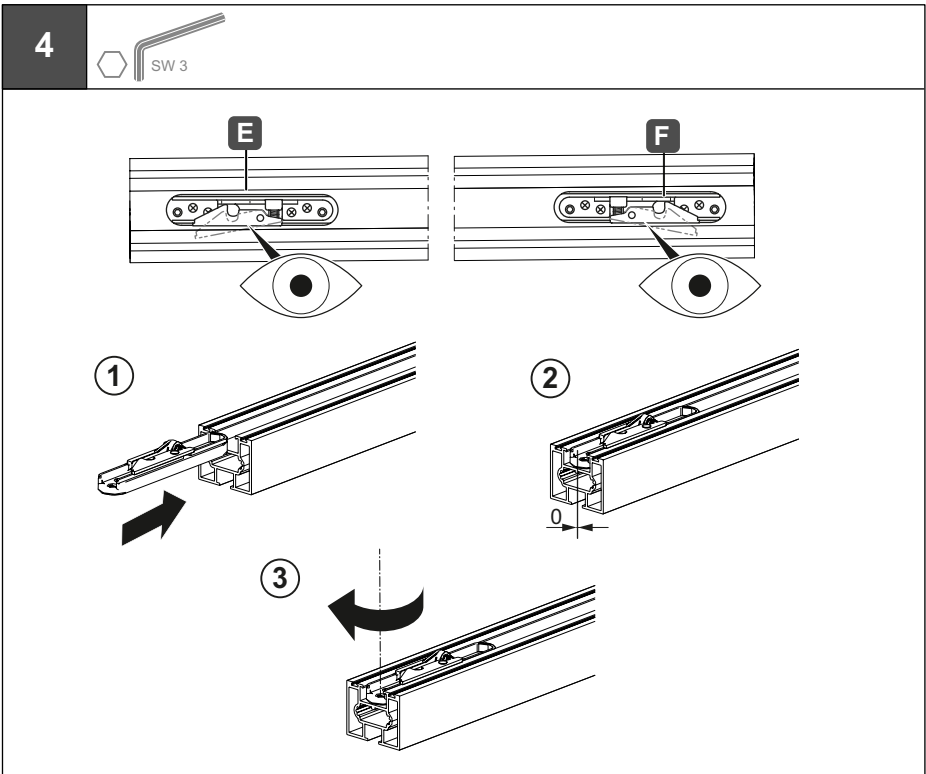
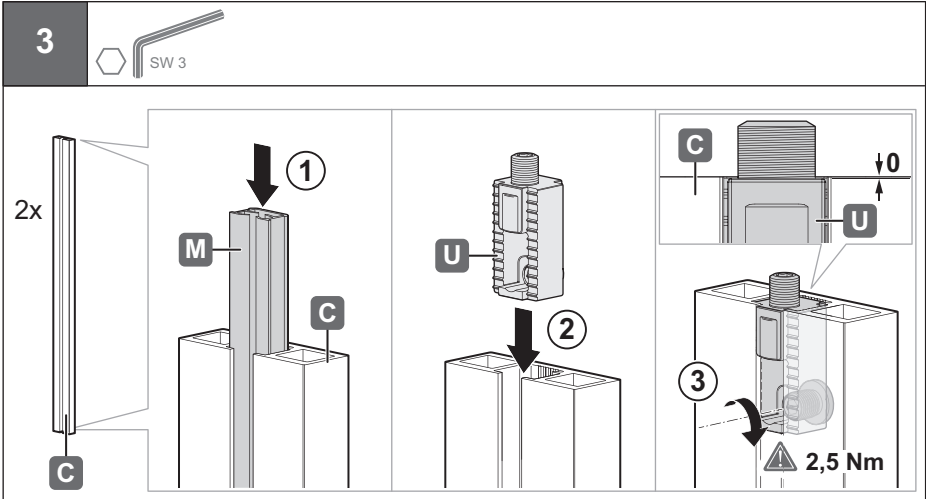
HDE 25.04.2022





732\_29\_042

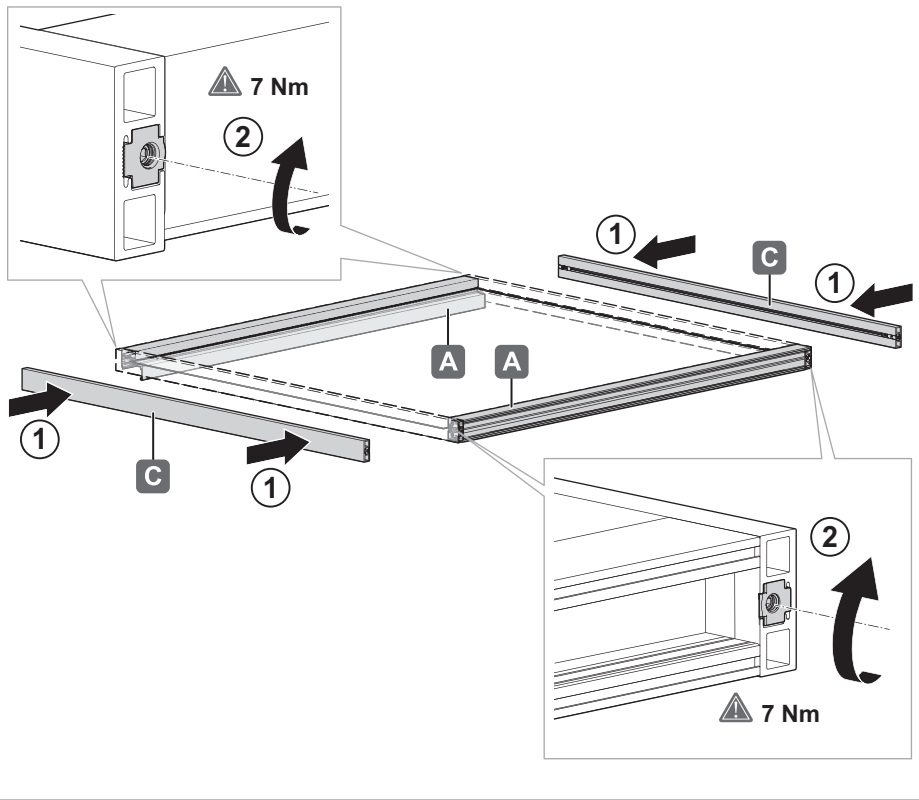
HDE 26.04.2022



732.29.042

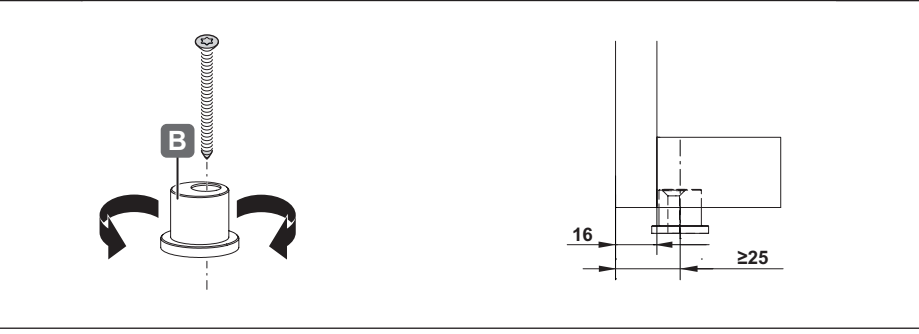
HDE 25.04.2022

5



732\_29\_042

i



HDE 26.04.2022

