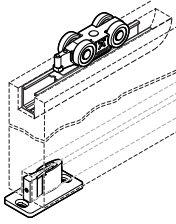


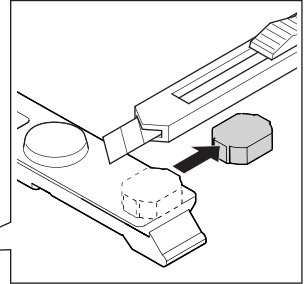
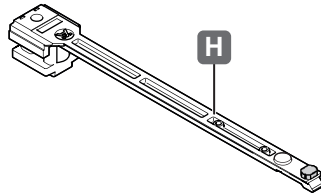
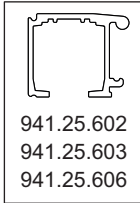


Slido D-Line11

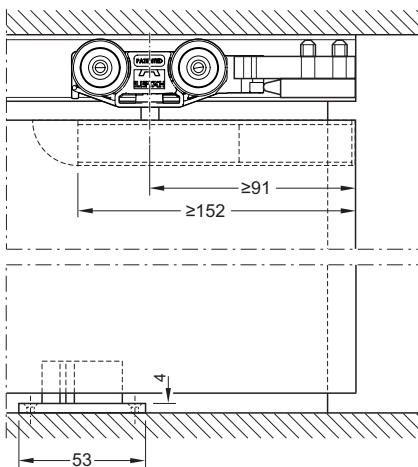


940.44.004	940.83.053	941.25.044
940.44.005	940.83.054	941.25.045
940.44.006	940.83.055	941.25.046
940.44.007	940.83.056	941.25.047

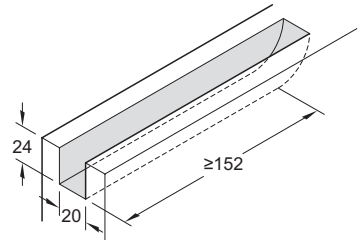
	A	B1	B2	E
50I	940.44.004	940.44.005	940.44.006	940.44.007
80I	940.83.053	940.83.054	940.83.055	940.83.056
120I	941.25.044	941.25.045	941.25.046	941.25.047



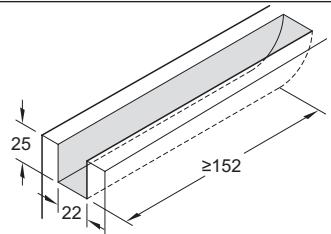
732.29.028



50-I



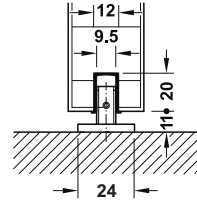
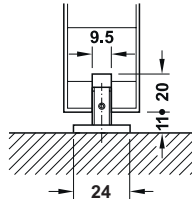
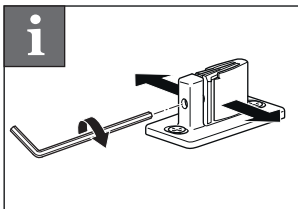
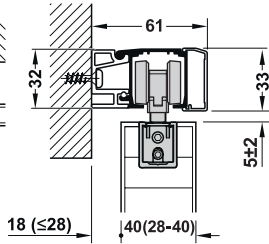
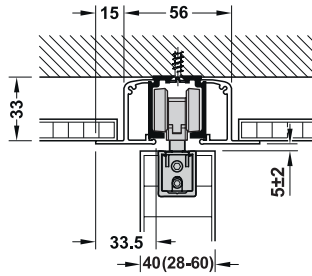
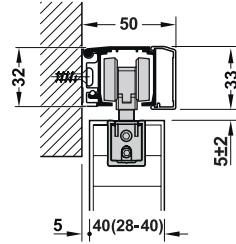
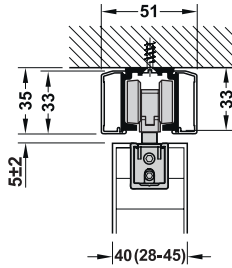
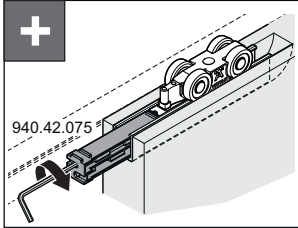
**80-I
120-I**



HDE 01.03.2021

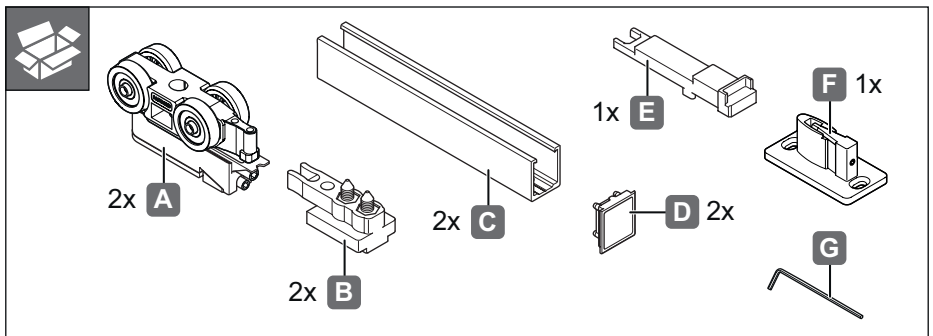
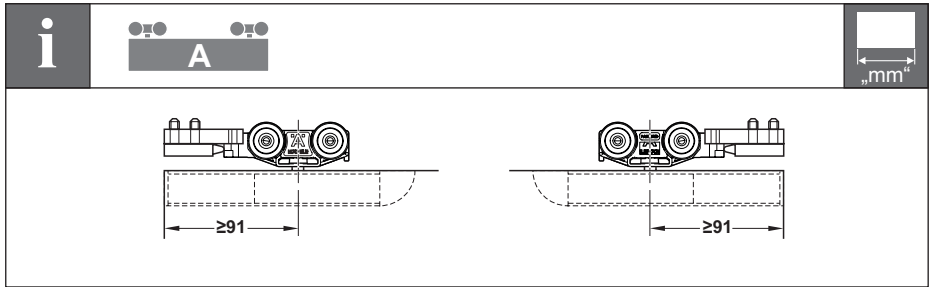
i

mm

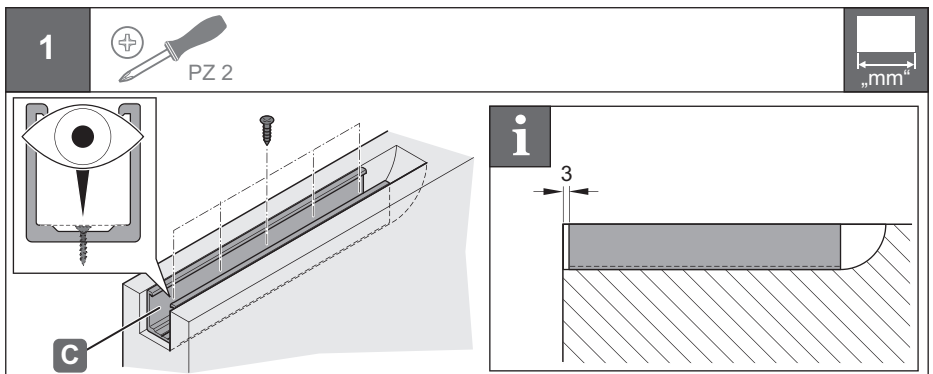


732.29.028

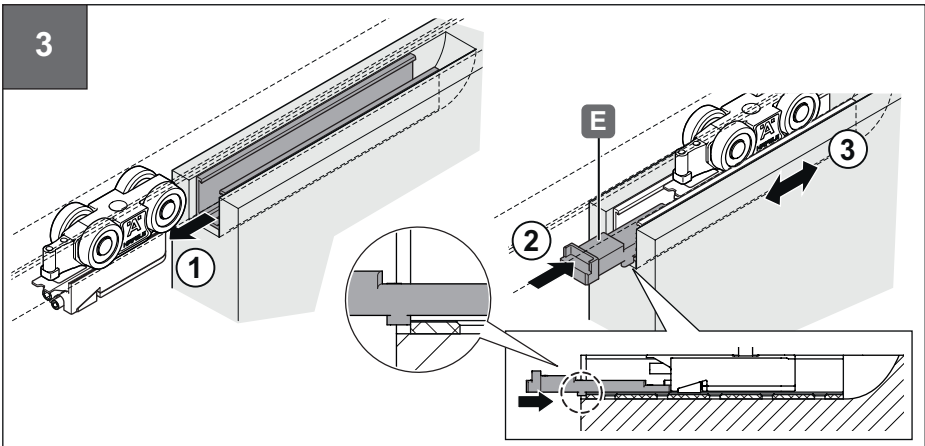
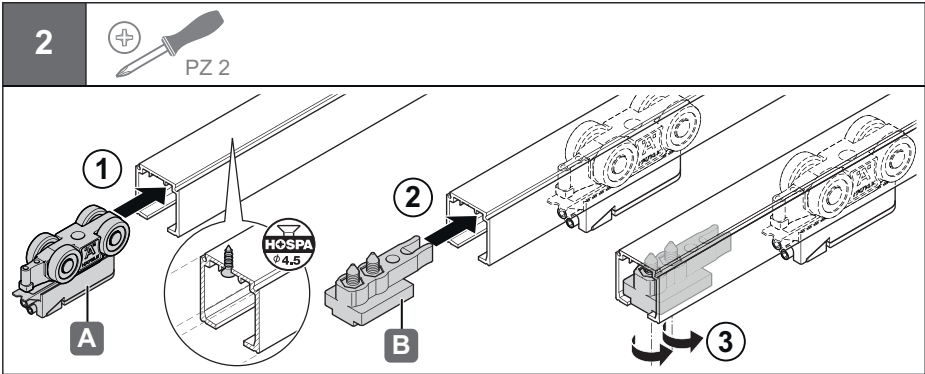
HDE 01.03.2021



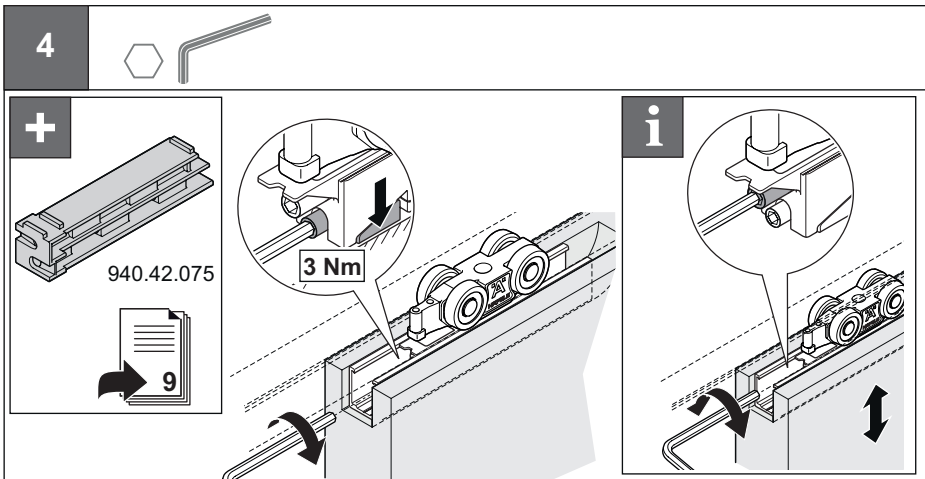
732_29_028



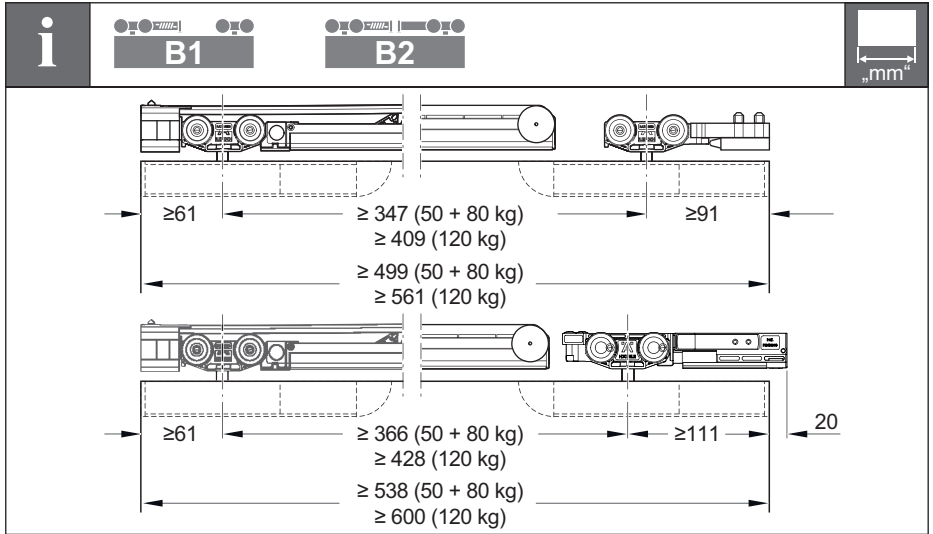
HDE 01.03.2021



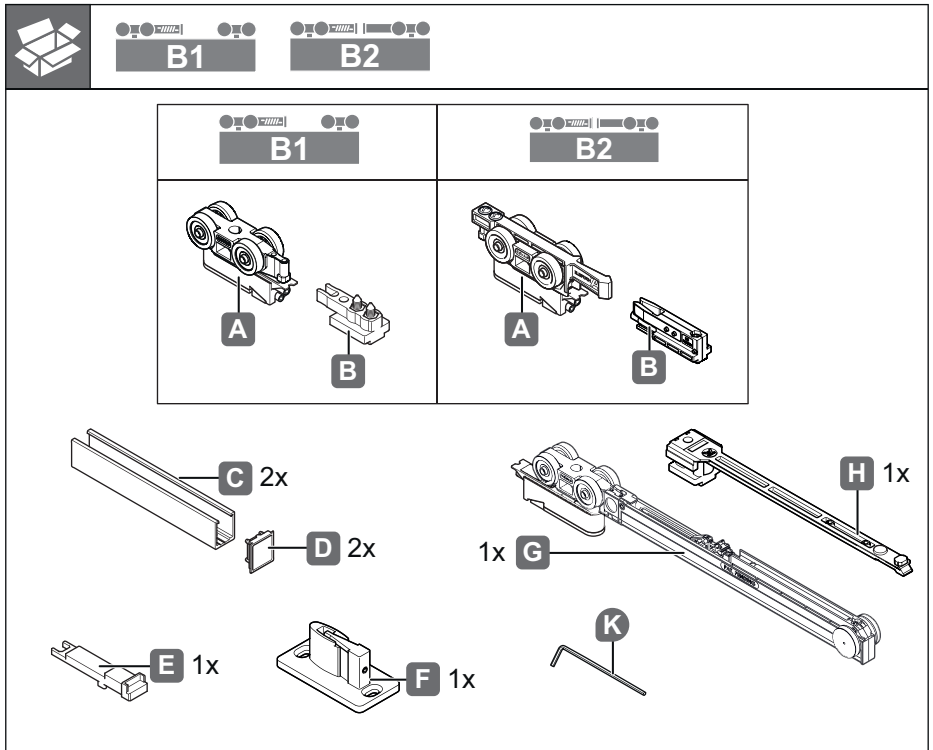
732.29.028



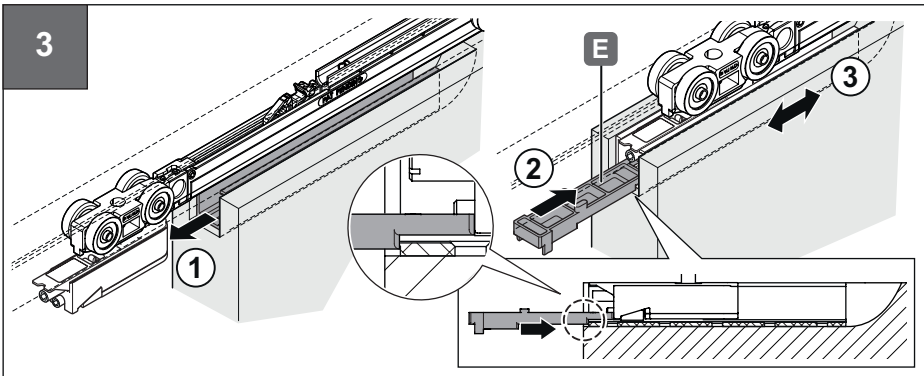
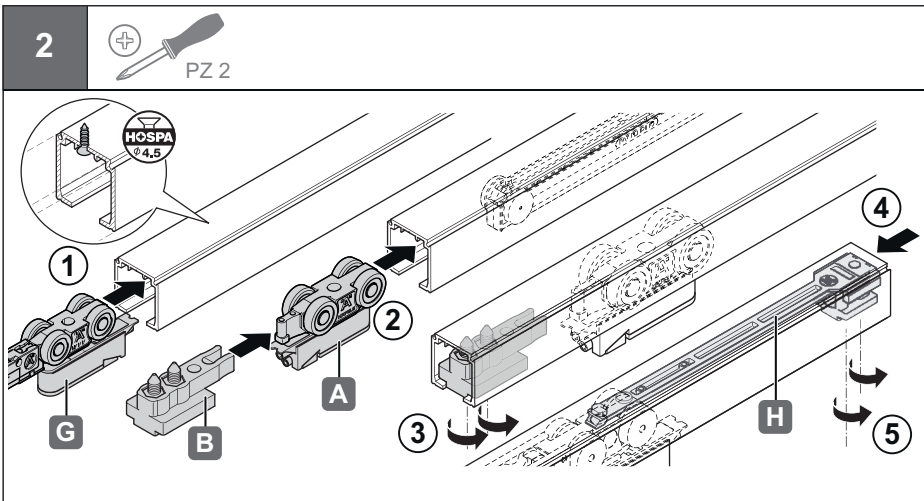
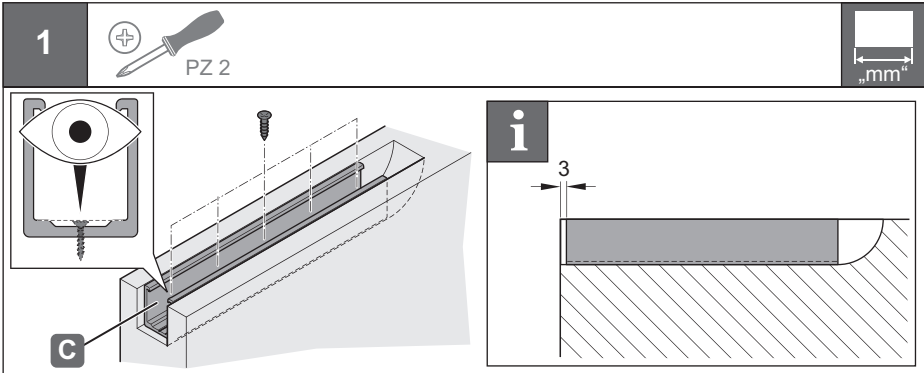
HDE 01.03.2021



732_29_028

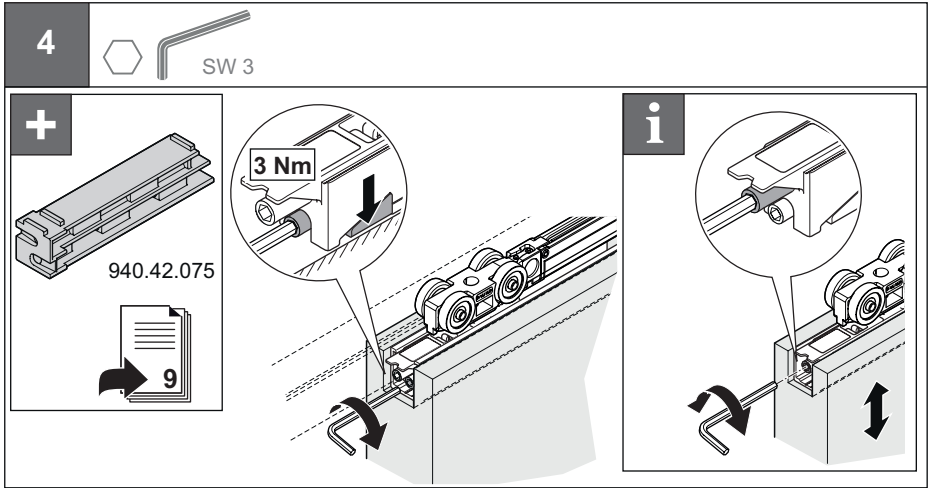


HDE 01_03.2021

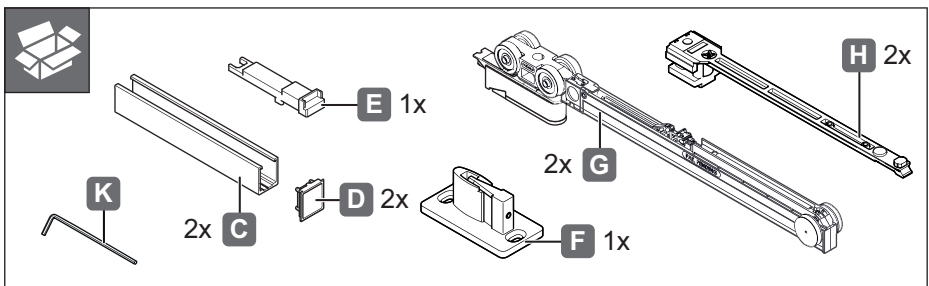
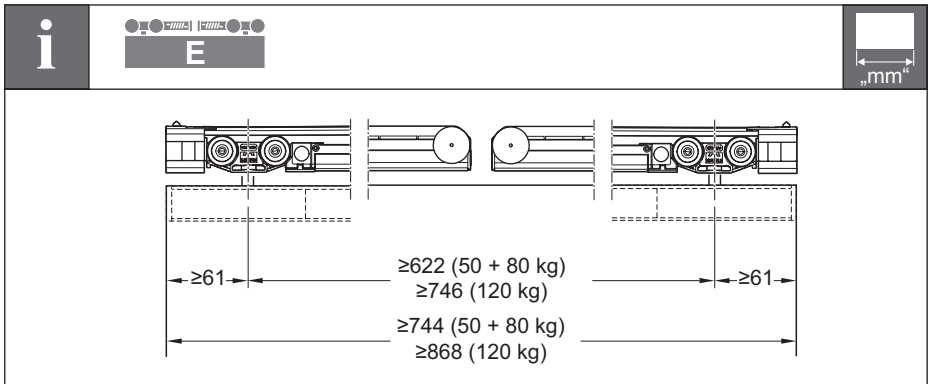


732.29.028

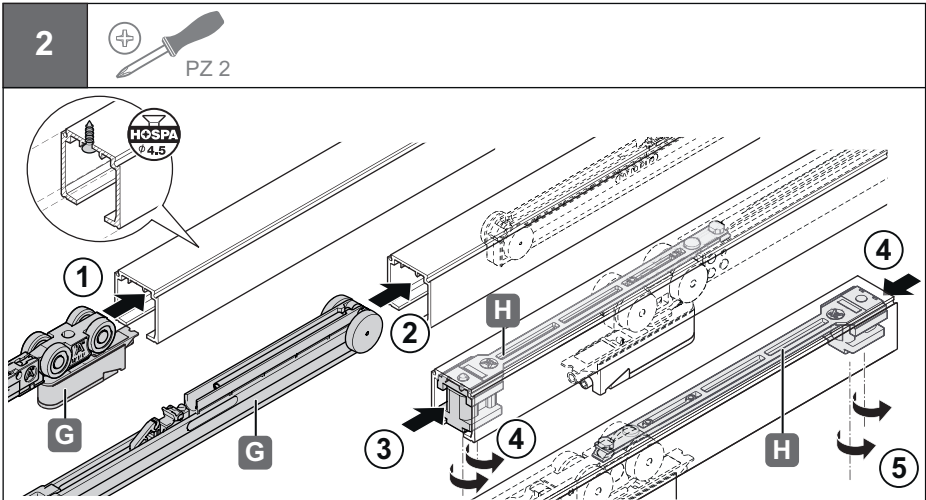
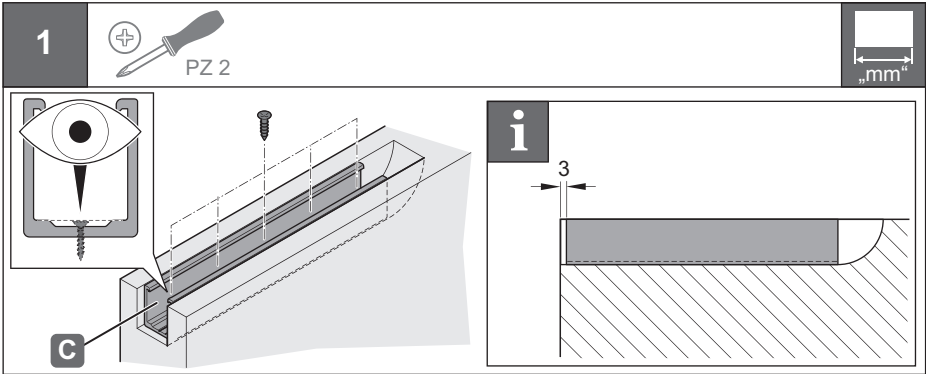
HDE 01.03.2021



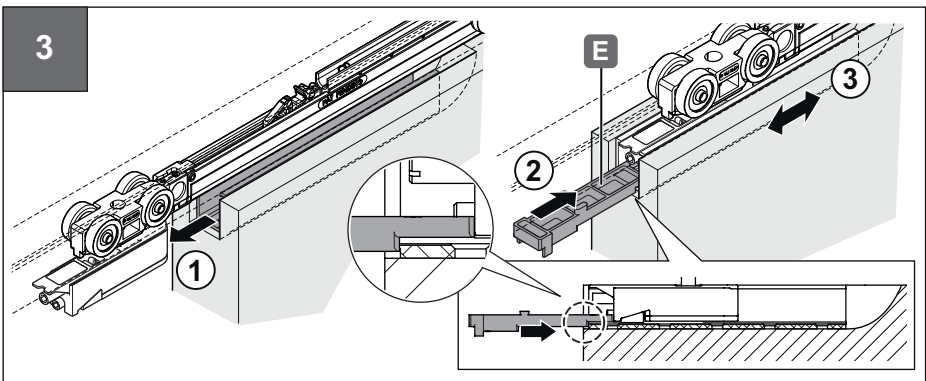
732_29_028



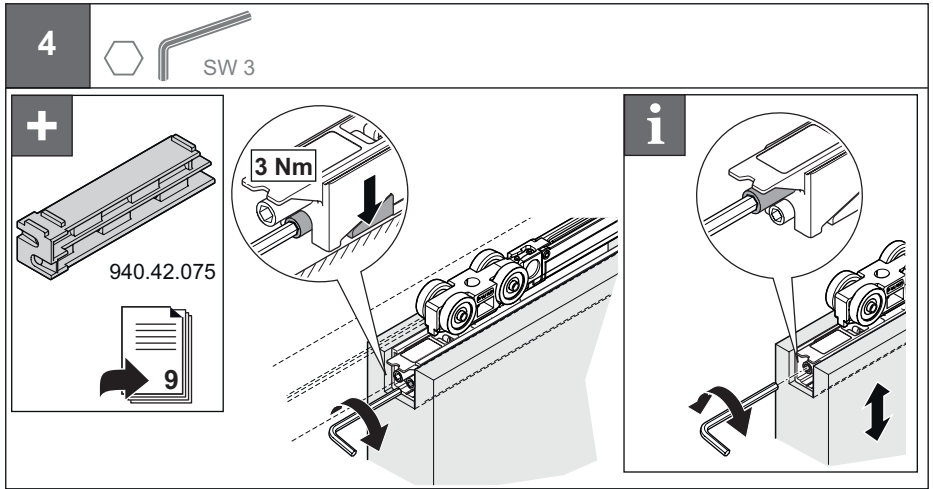
HDE 01_03.2021



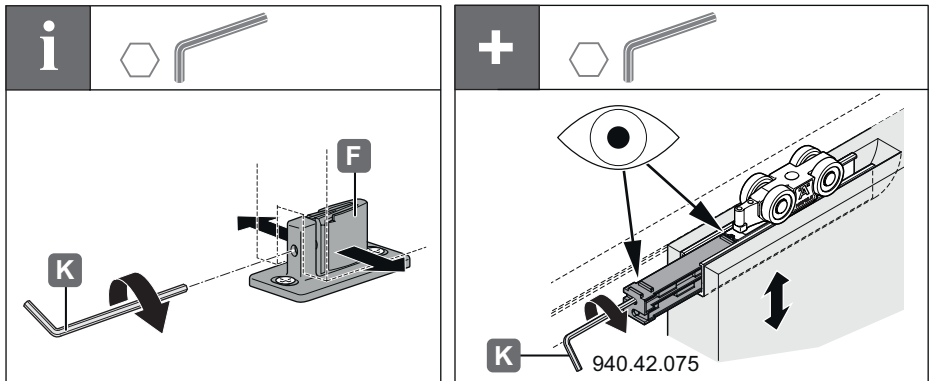
732.29.028



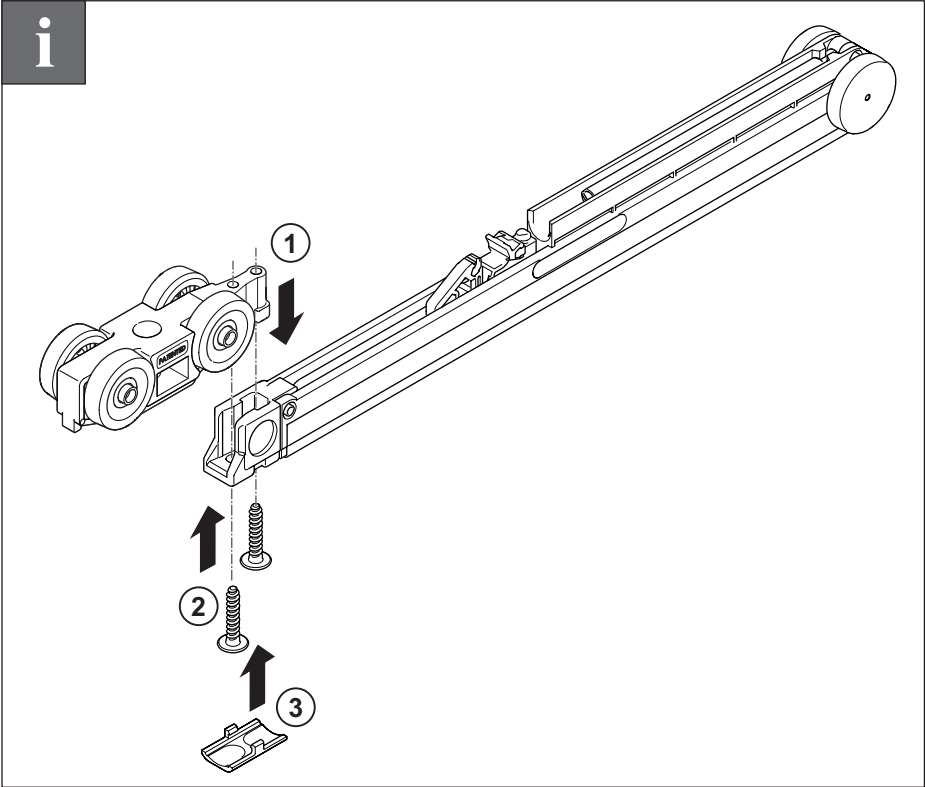
HDE 01.03.2021



732_29_028



HDE 01.03.2021



732.29.028

HDE 01.03.2021

732.29.028

HDE 01.03.2021

