

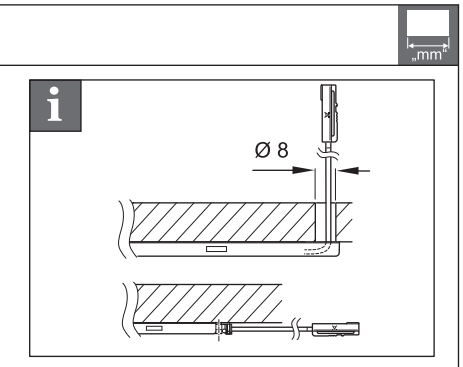
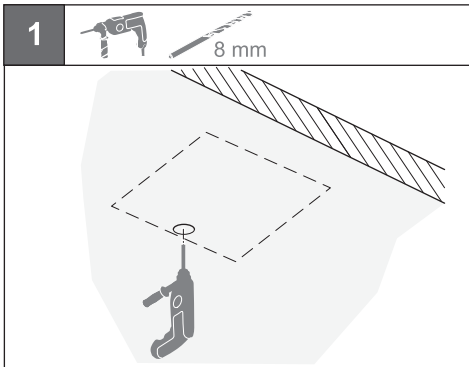
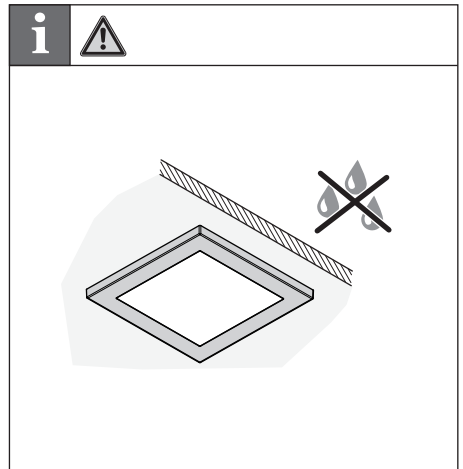
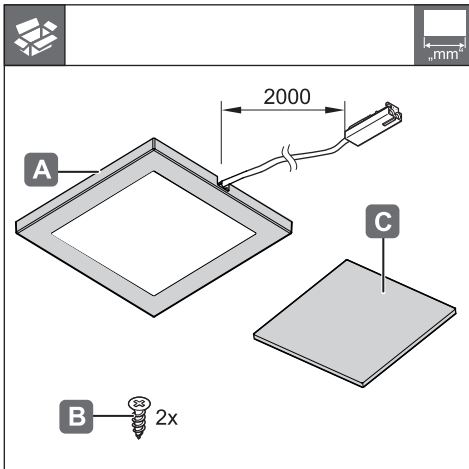


LED 2051
LED 3036

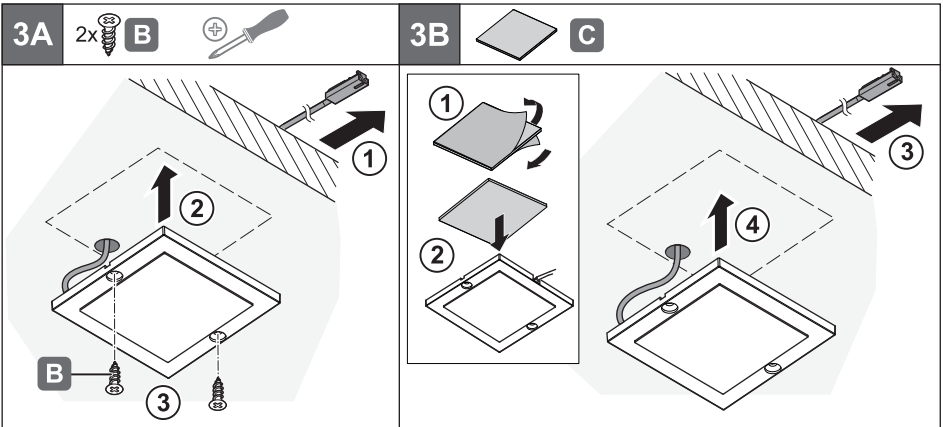
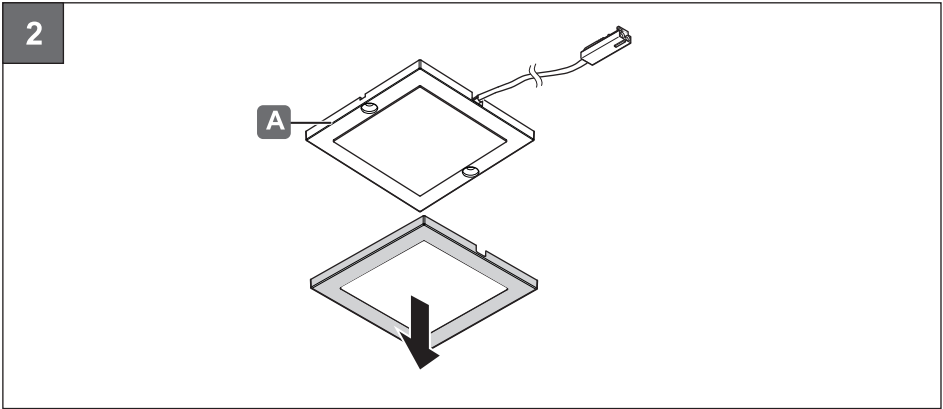
| | |
|-------------------|-------------------|
| 833.74.240 | 833.77.260 |
| 833.74.241 | 833.77.261 |
| 833.74.242 | 833.77.262 |
| 833.74.243 | 833.77.263 |

| <div style="display: flex; justify-content: space-around;"> <div style="border: 1px solid black; padding: 2px;">12V System</div> <div style="border: 1px solid black; padding: 2px;">24V System</div> </div> | K | W | T_A | | |
|--|----------|----------|------------------------------------|-------------|---|
| 833.74.240 | 2700 K | 2.5 W | -20 °C – +45 °C -4 °F – +113 °F | 65 x 65 x 6 | <div style="border: 1px solid black; padding: 5px; display: inline-block;"> Loox 12 V </div> |
| 833.74.241 | 3000 K | | | | |
| 833.74.242 | 4000 K | | | | |
| 833.74.243 | 5000 K | | | | |
| 833.77.260 | 2700 K | | | | <div style="border: 1px solid black; padding: 5px; display: inline-block;"> Loox 24 V </div> |
| 833.77.261 | 3000 K | | | | |
| 833.77.262 | 4000 K | | | | |
| 833.77.263 | 5000 K | | | | |

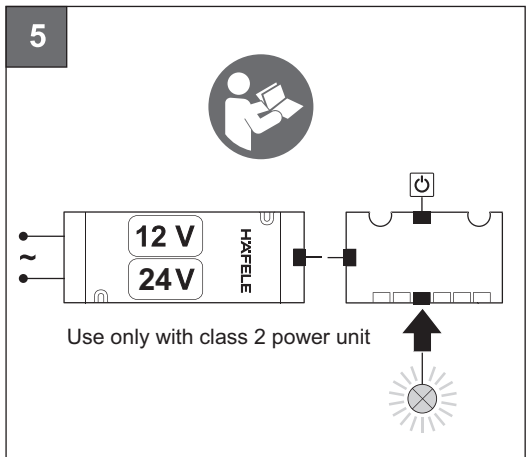
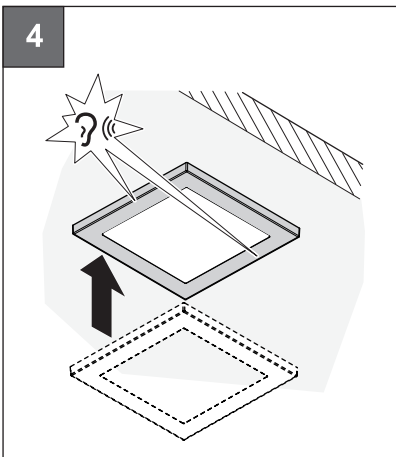
732.28.259



HDE 10.01.2022



732.26.259



HDE 10.01.2022