

SIGNATURE
closet pole

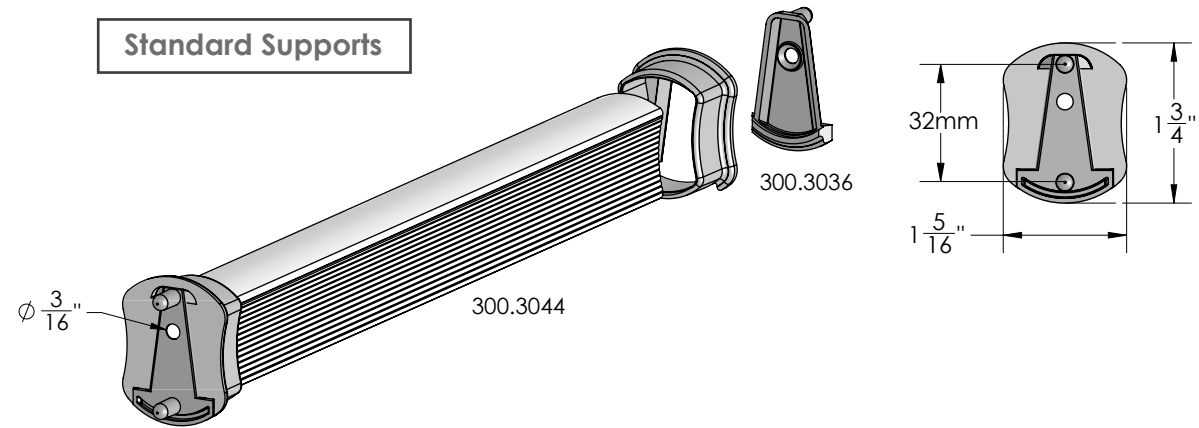
POLE 300.3044.xx.xxx
POLE CUP 300.3036.xx.xxx
SUSPENDED SUPPORTS 300.3038/39.xx.xxx

FEATURES

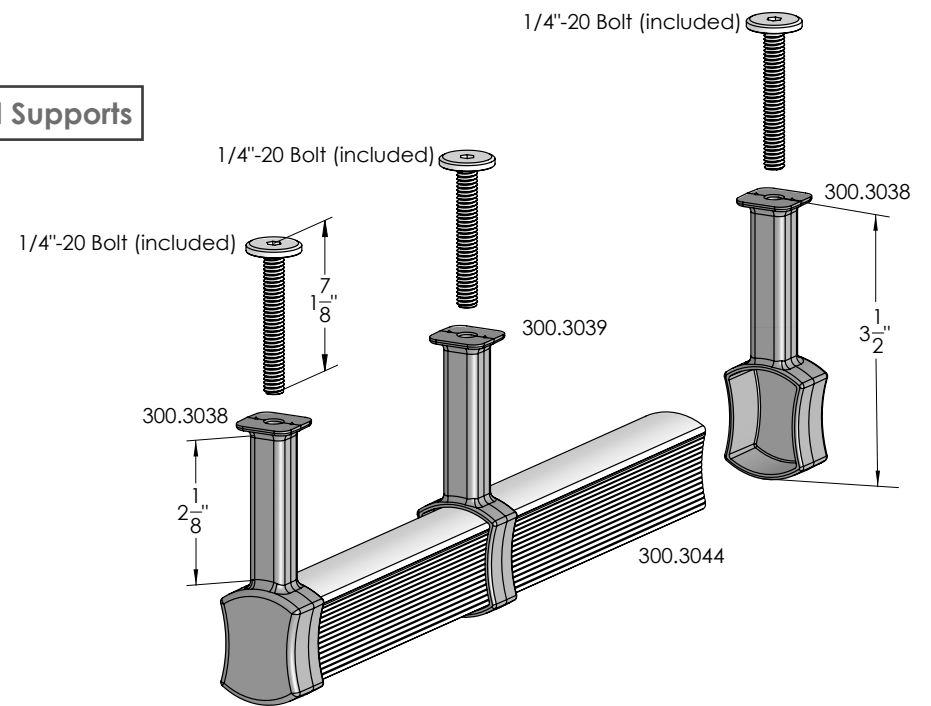
The patented design features a unique hourglass profile that differentiates from standard round poles

A plastic cap along the top provides smooth, quiet gliding of hangers and minimizes wear

Coordinated pole supports feature a closed cup design that create a seamless look



Suspended Supports



DIMENSIONS

SPECS

POLE

300.3044.^(FINISH)XXX

POLE CUP

300.3036.^(FINISH)XXX

SUSPENDED CENTER/POLE CUP

300.3038.^(FINISH)XXX
300.3039.^(FINISH)XXX

OPTIONS

LENGTH:

96"

FINISH:



FINISHED PRODUCT

