

ELITE

leather wrapped closet pole

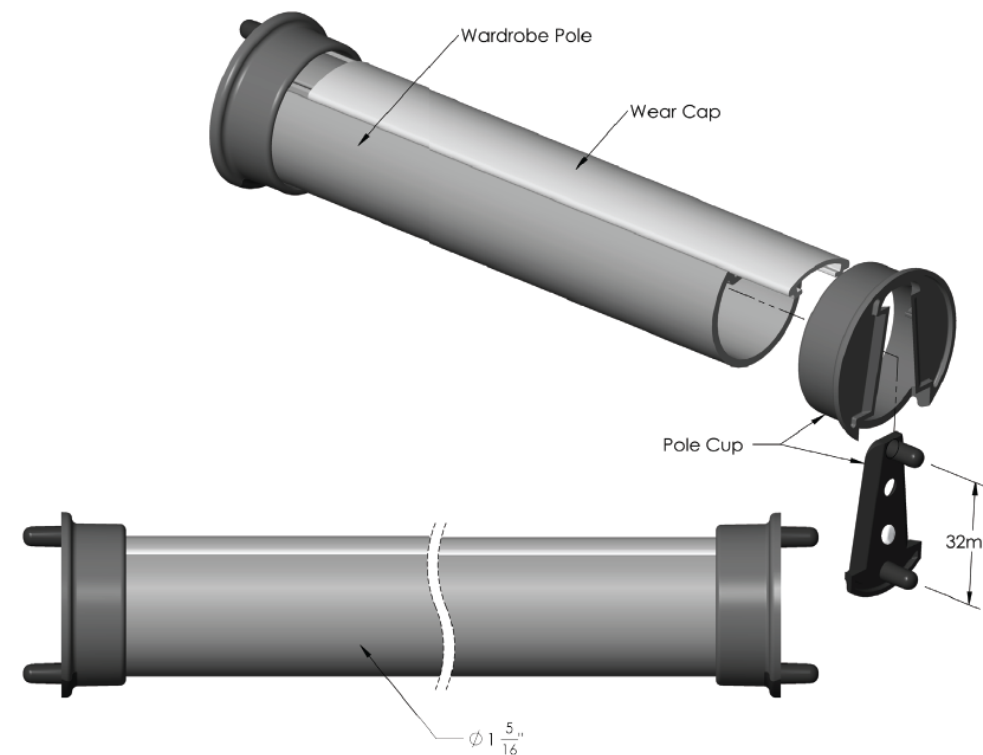
POLE 300.3057.36.xxx
POLE CUP 300.3037.xxx

FEATURES

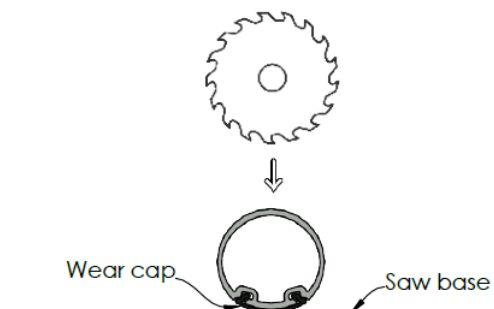
The leather surface adds an element of luxury to a functional accessory

- Pair any of the three leather colours with the Elite Pole Cups, available in six finishes

- The Wear Cap at the top ensures smooth gliding of hangers and enhances the durability of the closet pole

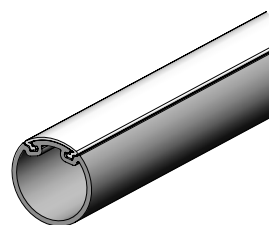


***Note:** For cutting, pole should be oriented with the wear cap facing down:



SPECS

POLE



300.3057.36.^(FINISH)xxx

POLE CUP



300.3037.^(FINISH)xxx

OPTIONS

LENGTH:

35 3/4"

FAUX LEATHER:



FINISH:



DIMENSIONS

FINISHED PRODUCT



300.3037.MG
PATENT #: 7597297



300.3057.36.OYS