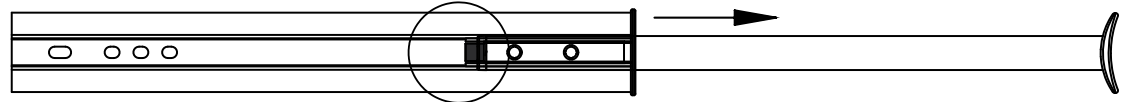


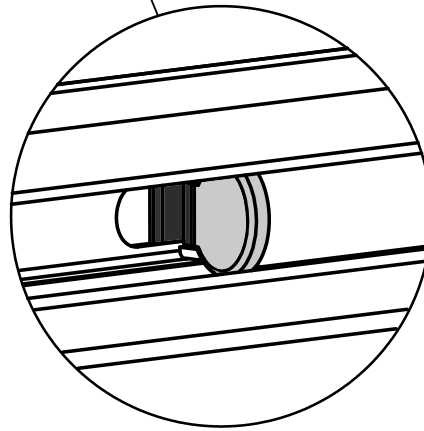
# INSTALLATION GUIDE

## ELITE Valet Rack

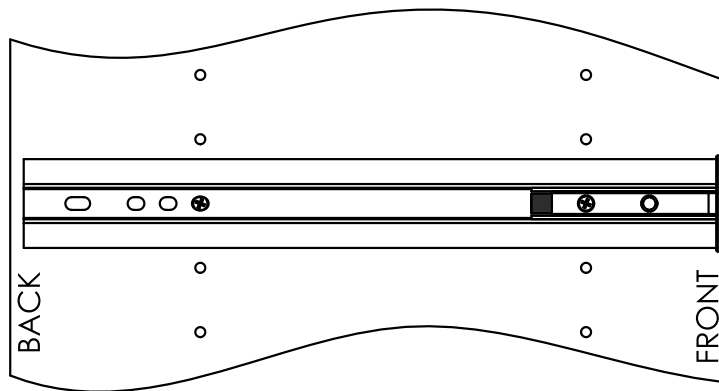
**STEP 1:** PULL ROD  
OUT



**STEP 2:** PRESS TAB  
TO RELEASE  
ROD



**STEP 3:** MOUNT VALET  
TO PANEL



**STEP 4:** SLIDE ROD  
PAST TAB

