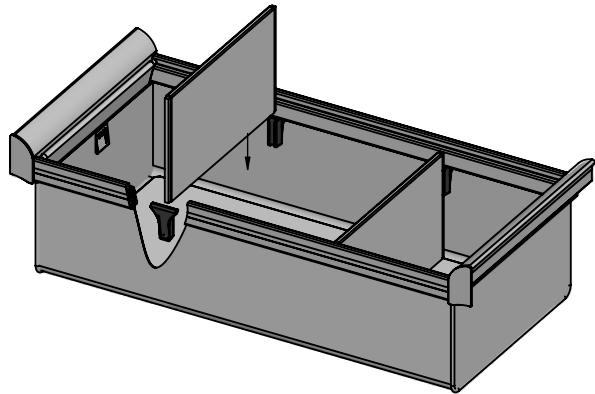


STEP 1: INSERT THE CLIPS INTO THE CHANNEL UNDER THE FRONT AND REAR CROSS BARS. THE CLIPS CAN BE PLACED ANYWHERE ALONG THE CHANNEL.



STEP 2: DROP THE LINGERIE/DEEP DIVIDERS INTO THE CLIPS

View How To Videos for more information.
<https://www.youtube.com/user/TagHardware>